



领先创新，创造未来

Meta-MEC 手动马达启动器



安全警告

- 为了您的安全，请在操作前先阅读说明书
- 请联系授权的服务人员进行检查、维修、调整
- 请由专业人员进行拆解维修

LS Industrial Systems Co., Ltd.

www.lsis.com.cn

电力设备

国内网络

乐星产电（无锡）有限公司

> 上海办事处 200050
地址: 上海市长宁区延安西路726号华敏翰尊国际广场12楼E-G座
总机: 021-52379977 传真: 021-52377189

> 北京办事处 100013
地址: 北京市东城区北三环东路36号北京环球贸易中心B座1705室
电话: 010-58256027 传真: 010-58256028

> 广州办事处 510180
地址: 广州市中山六路2号新宝利大厦1403室
电话: 020-83266754 传真: 020-83266287

> 青岛办事处 266071
地址: 青岛市市南区山东路29号银河大厦2001室
电话: 0532-85016058 传真: 0532-85016057

> 成都办事处 610016
地址: 成都市福兴街1号华敏翰尊国际大厦1710室
电话: 028-86703201 传真: 028-86703203

> 无锡工厂 214028
地址: 无锡国家高新技术产业开发区102-A号地块
电话: 0510-85346666 传真: 0510-85344099



如有改动，恕不事先通知



LS Industrial Systems
New Name of LG Industrial Systems

LS 产电
LS Industrial Systems

LS Meta-MEC系列手动马达起动器电流可达100A

up to 100A

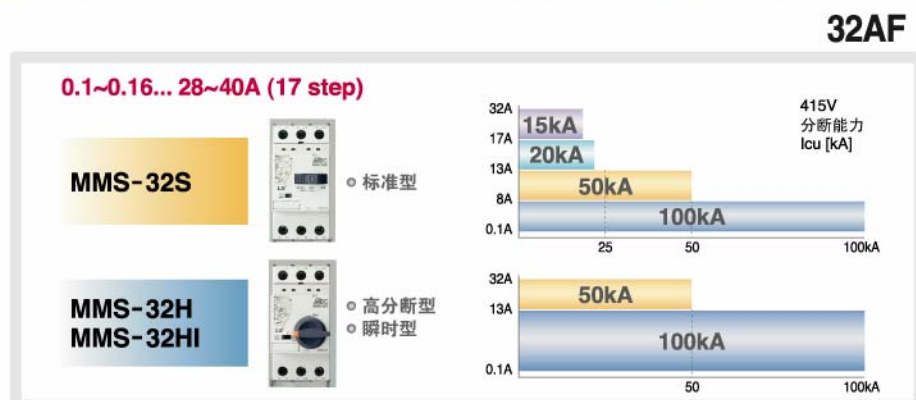


32AF

63AF

100AF

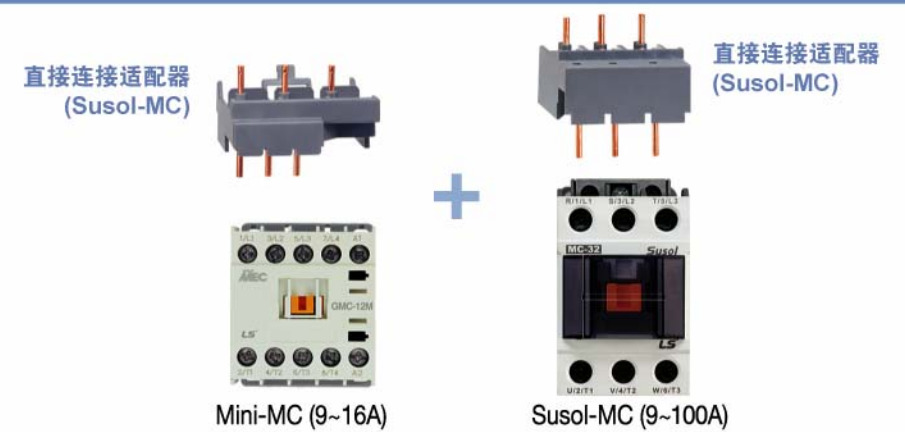
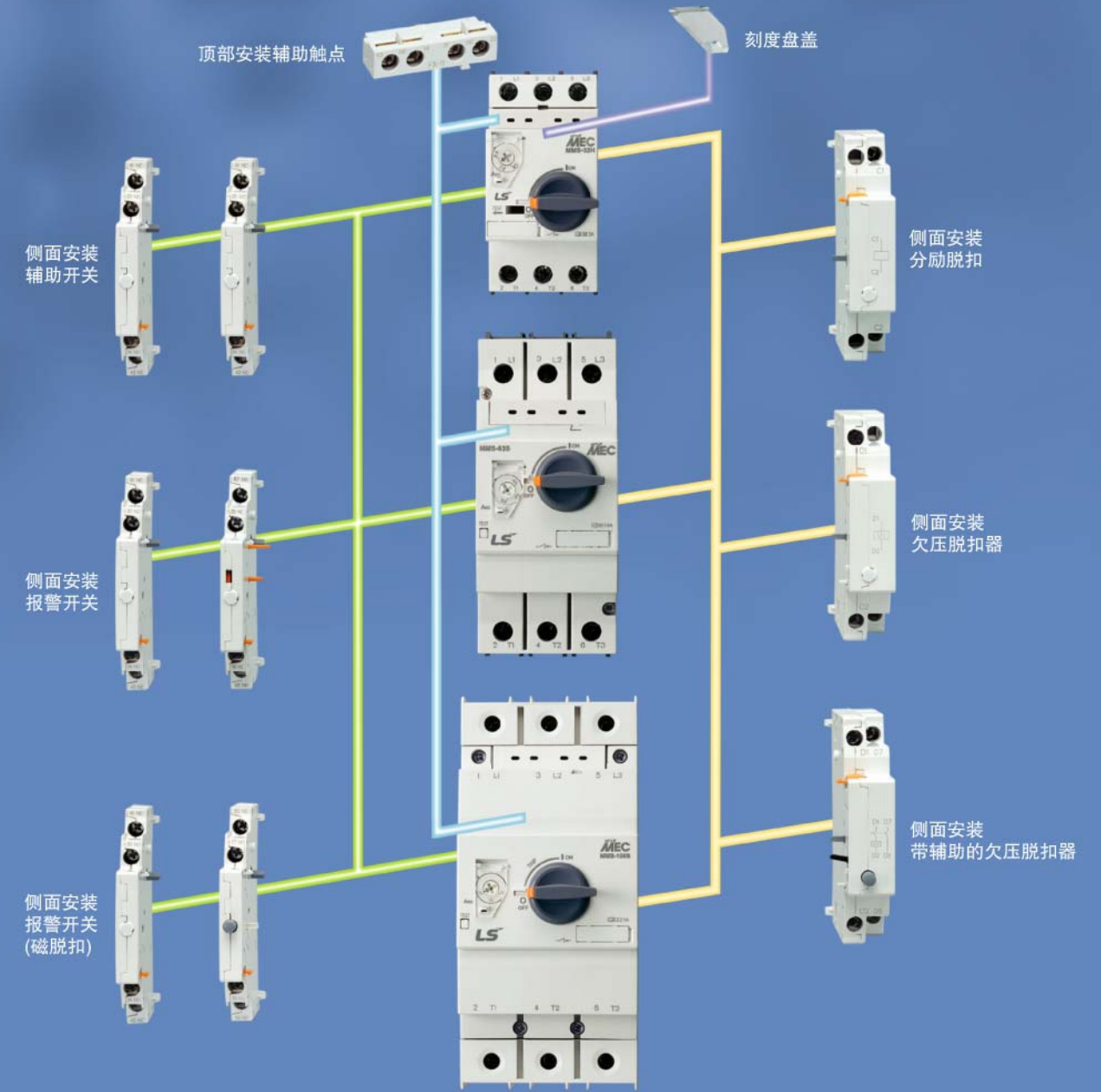
MMS



LS Meta-MEC系列手动马达启动器通过精心的设计使其性能更卓越、更完备

各种附件从32到100AF通用，多种附件可进行灵活的组合，请参照以下的相关说明

MMS 32H... 32A [Scale 1:1]



功能

- 组合安装保护
- 电路保护
- 马达保护
- 启动器保护
- 宽范围的环境温度补偿
- 缺相保护



特征

- 32A框架45mm宽, 63A框架55mm宽, 100A框架70mm宽
- 三位置操作:
合-分-脱扣 (100AF)
- 附件全部通用
- 手柄锁可将其锁定在OFF位置
- 具有Class 10负载脱扣特性
- 可进行脱扣测试
- 防触电安全端子
- 导轨或螺钉安装方式

标准

- 符合国际标准
IEC 60947-2 & IEC 60947-4-1
UL508 (手动马达启动器)
UL508 (E型马达组合控制启动器)
CSA C22.2 NO.14
GB14048

认证

- KEMA CB type certificate
- EC-Declaration of conformity
- UL listed
- CSA certified
- CCC



目录

产品选择指南

| | |
|---------------------|----|
| 快速选择表...IEC级别 | 8 |
| 标准型 | 10 |
| 高分断型 | 11 |
| 瞬时型 | 12 |
| 附件 | 13 |

技术信息

| | |
|-----------------------------------|----|
| 常规参数 | 18 |
| IEC性能参数 (马达保护) | 28 |
| 手动马达控制器 (UL 508, CSA C22.2) | 31 |
| 手动马达控制器 (UL508) | 33 |
| '2'型协调配合保护 (IEC 947-4-1) | 35 |
| 时间/电流特性 | 36 |
| MMS短路时的发热极限 | 37 |
| 尺寸 | 39 |



快速选择表 ... IEC等级



| 框架 | | | 32AF | | | | | | | | | | | | 63AF | | | | | | | | | | | | 100AF | | | | | | | | | | | |
|----------------|----------------------|------------|----------------|-----|-----------|-----|--------------|-----|-----------|-----|--------------|-----|----------------|-----|--------------|-----|-----------|-----|--------------|-----|-----------|-----|----------------|-----|-----------|-----|-----------|-----|-----------|-----|-----------|-----|--|--|--|--|--|--|
| 型号 | 电流可调型 | | MMS-32S | | | | MMS-32H | | | | MMS-63S | | | | MMS-63H | | | | MMS-100S | | | | MMS-100H | | | | | | | | | | | | | | | |
| | 分断能力 | 手柄类型 | 标准型 | | | | 高分断型 | | | | 标准型 | | | | 高分断型 | | | | 标准型 | | | | 高分断型 | | | | | | | | | | | | | | | |
| 极数 | | | 3 | | | | 3 | | | | 3 | | | | 3 | | | | 3 | | | | 3 | | | | | | | | | | | | | | | |
| 额定电压(Ue) | | | 最高 690V | | | | 最高690V | | | | 最高690V | | | | 最高690V | | | | 最高690V | | | | 最高690V | | | | | | | | | | | | | | | |
| 额定频率 | | | 50/60Hz | | | | 50/60HZ | | | | 50/60HZ | | | | 50/60HZ | | | | 50/60HZ | | | | 50/60HZ | | | | | | | | | | | | | | | |
| 额定绝缘电压(Ui) | | | 690V | | | | 690V | | | | 1,000V | | | | 1,000V | | | | 1,000V | | | | 1,000V | | | | | | | | | | | | | | | |
| 额定耐受冲击电压(Uimp) | | | 6kV | | | | 6kV | | | | 8kV | | | | 8kV | | | | 8kV | | | | 8kV | | | | | | | | | | | | | | | |
| 使用类别 | IEC 60 947-2 (断路器) | | Cat.A | | | | Cat.A | | | | Cat.A | | | | Cat.A | | | | Cat.A | | | | Cat.A | | | | | | | | | | | | | | | |
| | IEC 60 947-4 (马达启动器) | | AC-3 | | | | AC-3 | | | | AC-3 | | | | AC-3 | | | | AC-3 | | | | AC-3 | | | | | | | | | | | | | | | |
| 机械寿命(次) | | | 100,000 | | | | 100,000 | | | | 50,000 | | | | 50,000 | | | | 50,000 | | | | 50,000 | | | | | | | | | | | | | | | |
| 电气寿命(次) | | | 100,000 | | | | 100,000 | | | | 25,000 | | | | 25,000 | | | | 25,000 | | | | 25,000 | | | | | | | | | | | | | | | |
| 最大操作频率(次/小时) | | | 25 | | | | 25 | | | | 25 | | | | 25 | | | | 25 | | | | 25 | | | | | | | | | | | | | | | |
| 运行环境温度 | | | -20 ~ +60°C | | | | -20 ~ +60°C | | | | -20 ~ +60°C | | | | -20 ~ +60°C | | | | -20 ~ +60°C | | | | -20 ~ +60°C | | | | | | | | | | | | | | | |
| 瞬时短路脱扣电流 | | | 13 × Ie max. | | | | 13 × Ie max. | | | | 13 × Ie max. | | | | 13 × Ie max. | | | | 13 × Ie max. | | | | 13 × Ie max. | | | | | | | | | | | | | | | |
| 过载保护 | | | ○ | | | | ○ | | | | ○ | | | | ○ | | | | ○ | | | | ○ | | | | | | | | | | | | | | | |
| 缺相保护 | | | ○ | | | | ○ | | | | ○ | | | | ○ | | | | ○ | | | | ○ | | | | | | | | | | | | | | | |
| 脱扣指示功能 | | | × | | | | × | | | | × | | | | × | | | | ○ | | | | ○ | | | | | | | | | | | | | | | |
| 测试功能 | | | ○ | | | | ○ | | | | ○ | | | | ○ | | | | ○ | | | | ○ | | | | | | | | | | | | | | | |
| 重量(g) | | | 320 | | | | 360 | | | | 1,000 | | | | 1,000 | | | | 2,200 | | | | 2,200 | | | | | | | | | | | | | | | |
| 额定分断能力 (kA) | 额定电流 (Ie) | 电流调整范围 (A) | 220V 240V 230V | | 415V 400V | | 460V 440V | | 525V 500V | | 690V 600V | | 220V 240V 230V | | 415V 400V | | 460V 440V | | 525V 500V | | 690V 600V | | 220V 240V 230V | | 415V 400V | | 460V 440V | | 525V 500V | | 690V 600V | | | | | | | |
| | | | Icu | Ics | Icu | Ics | Icu | Ics | Icu | Ics | Icu | Ics | Icu | Ics | Icu | Ics | Icu | Ics | Icu | Ics | Icu | Ics | Icu | Ics | Icu | Ics | Icu | Ics | Icu | Ics | Icu | Ics | | | | | | |
| 0.16 | 0.1~0.16 | | 100 | 100 | 100 | 100 | 100 | 100 | 100 | 100 | 100 | 100 | 100 | 100 | 100 | 100 | 100 | 100 | 100 | 100 | 100 | 100 | 100 | 100 | 100 | 100 | 100 | 100 | 100 | 100 | 100 | | | | | | | |
| 0.25 | 0.16~0.25 | | 100 | 100 | 100 | 100 | 100 | 100 | 100 | 100 | 100 | 100 | 100 | 100 | 100 | 100 | 100 | 100 | 100 | 100 | 100 | 100 | 100 | 100 | 100 | 100 | 100 | 100 | 100 | 100 | 100 | | | | | | | |
| 0.4 | 0.25~0.4 | | 100 | 100 | 100 | 100 | 100 | 100 | 100 | 100 | 100 | 100 | 100 | 100 | 100 | 100 | 100 | 100 | 100 | 100 | 100 | 100 | 100 | 100 | 100 | 100 | 100 | 100 | 100 | 100 | 100 | | | | | | | |
| 0.63 | 0.4~0.63 | | 100 | 100 | 100 | 100 | 100 | 100 | 100 | 100 | 100 | 100 | 100 | 100 | 100 | 100 | 100 | 100 | 100 | 100 | 100 | 100 | 100 | 100 | 100 | 100 | 100 | 100 | 100 | 100 | 100 | | | | | | | |
| 1 | 0.63~1 | | 100 | 100 | 100 | 100 | 100 | 100 | 100 | 100 | 100 | 100 | 100 | 100 | 100 | 100 | 100 | 100 | 100 | 100 | 100 | 100 | 100 | 100 | 100 | 100 | 100 | 100 | 100 | 100 | 100 | | | | | | | |
| 1.6 | 1~1.6 | | 100 | 100 | 100 | 100 | 100 | 100 | 100 | 100 | 3 | 3 | 100 | 100 | 100 | 100 | 100 | 100 | 100 | 100 | 100 | 100 | 100 | 100 | 100 | 100 | 100 | 100 | 100 | 100 | 100 | | | | | | | |
| 2.5 | 1.6~2.5 | | 100 | 100 | 100 | 100 | 100 | 100 | 50 | 38 | 3 | 3 | 100 | 100 | 100 | 100 | 100 | 100 | 100 | 100 | 100 | 100 | 8 | 8 | | | | | | | | | | | | | | |
| 4 | 2.5~4 | | 100 | 100 | 100 | 100 | 50 | 38 | 15 | 11 | 3 | 3 | 100 | 100 | 100 | 100 | 100 | 100 | 100 | 100 | 100 | 8 | 8 | | | | | | | | | | | | | | | |
| 6 | 4~6 | | 100 | 100 | 100 | 100 | 15 | 11 | 10 | 8 | 3 | 3 | 100 | 100 | 100 | 100 | 100 | 100 | 100 | 100 | 100 | 6 | 6 | | | | | | | | | | | | | | | |
| 8 | 5~8 | | 100 | 100 | 100 | 100 | 15 | 11 | 10 | 8 | 3 | 3 | 100 | 100 | 100 | 100 | 50 | 38 | 50 | 38 | 6 | 6 | | | | | | | | | | | | | | | | |
| 10 | 6~10 | | 100 | 100 | 50 | 38 | 15 | 11 | 6 | 5 | 3 | 3 | 100 | 100 | 100 | 100 | 50 | 38 | 50 | 38 | 6 | 6 | 100 | 100 | 100 | 100 | 15 | 12 | 10 | 8 | 4 | 3 | | | | | | |
| 13 | 9~13 | | 100 | 100 | 50 | 38 | 10 | 8 | 6 | 5 | 3 | 3 | 100 | 100 | 100 | 100 | 50 | 38 | 42 | 32 | 6 | 6 | 100 | 100 | 50 | 38 | 10 | 8 | 6 | 5 | 4 | 3 | | | | | | |
| 17 | 11~17 | | 50 | 38 | 20 | 15 | 10 | 8 | 6 | 5 | 3 | 3 | 100 | 100 | 50 | 38 | 20 | 15 | 10 | 8 | 4 | 4 | 100 | 100 | 25 | 19 | 10 | 8 | 6 | 5 | 4 | 3 | | | | | | |
| 22 | 14~22 | | 40 | 30 | 15 | 11 | 8 | 6 | 6 | 5 | 3 | 3 | 100 | 100 | 50 | 38 | 20 | 15 | 10 | 8 | 4 | 4 | 50 | 38 | 25 | 19 | 10 | 8 | 6 | 5 | 4 | 3 | | | | | | |
| 26 | 18~26 | | 40 | 30 | 15 | 11 | 8 | 6 | 6 | 5 | 3 | 3 | 100 | 100 | 50 | 38 | 20 | 15 | 10 | 8 | 4 | 4 | 50 | 38 | 25 | 19 | 10 | 8 | 6 | 5 | 4 | 3 | | | | | | |
| 32 | 22~32 | | 30 | 22 | 15 | 11 | 6 | 4 | 5 | 4 | 3 | 3 | 100 | 100 | 50 | 38 | 20 | 15 | 10 | 8 | 4 | 4 | 50 | 38 | 25 | 19 | 10 | 8 | 6 | 5 | 4 | 3 | | | | | | |
| 40 | 28~40 | | 20 | 15 | 10 | 8 | 5 | 3 | 4 | 3 | 2 | 2 | 100 | 100 | 40 | 30 | 15 | 11 | 8 | 6 | 3 | 3 | 50 | 38 | 25 | 19 | 10 | 8 | 6 | 5 | 4 | 3 | | | | | | |
| 50 | 34~50 | | - | - | - | - | - | - | - | - | - | - | - | - | - | - | - | - | - | - | - | - | 50 | 38 | 25 | 19 | 10 | 8 | 6 | 5 | 4 | 3 | | | | | | |
| 63 | 45~63 | | - | - | - | - | - | - | - | - | - | - | - | - | - | - | - | - | - | - | - | - | 50 | 38 | 25 | 19 | 10 | 8 | 6 | 5 | 4 | 3 | | | | | | |
| 65 | 47~65 | | - | - | - | - | - | - | - | - | - | - | - | - | - | - | - | - | - | - | - | - | 50 | 38 | 25 | 19 | 10 | 8 | 6 | 5 | 4 | 3 | | | | | | |
| 75 | 55~75 | | - | - | - | - | - | - | - | - | - | - | - | - | - | - | - | - | - | - | - | - | - | - | - | - | - | - | - | - | - | - | | | | | | |
| 90 | 70~90 | | - | - | - | - | - | - | - | - | - | - | - | - | - | - | - | - | - | - | - | - | - | - | - | - | - | - | - | - | - | - | | | | | | |
| 100 | 80~100 | | - | - | - | - | - | - | - | - | - | - | - | - | - | - | - | - | - | - | - | - | - | - | - | - | - | - | - | - | - | - | | | | | | |

标准型

- 电流可调
- 最大短路脱扣电流13Ie
- 脱扣等级class10
- 保护功能
 - 缺相
 - 短路
 - 过载



高分断型

- 电流可调
- 最大短路脱扣电流13Ie
- 脱扣等级class10
- 保护功能
 - 缺相
 - 短路
 - 过载



| 型号 | 额定电流 Ie [A] | 电流调整范围 [A] | 磁释放动作电流 [A] | 三相交流电动机, AC-2, AC-3 | | | | | | 400/415V | |
|----------|-------------|-------------|-------------|------------------------|------|-------|---------------------|-------|-------|----------|----------|
| | | | | 3-phase [kW] (50/60Hz) | | | 3-phase [HP] (60Hz) | | | Icu [kA] | Ics [kA] |
| | | | | 230V | 400V | 690V | 230V | 460V | 575V | | |
| MMS-32S | 0.16 | 0.1...0.16 | 2.1 | - | 0.02 | - | - | - | - | 100 | 100 |
| | 0.25 | 0.16...0.25 | 3.3 | 0.03 | 0.06 | - | - | - | - | 100 | 100 |
| | 0.4 | 0.25...0.4 | 5.2 | 0.06 | 0.09 | - | - | - | - | 100 | 100 |
| | 0.63 | 0.4...0.63 | 8.2 | 0.09 | 0.12 | 0.25 | - | - | - | 100 | 100 |
| | 1 | 0.63...1.0 | 13 | 0.12 | 0.25 | 0.55 | - | 1/2 | 1/2 | 100 | 100 |
| | 1.6 | 1.0...1.6 | 20.8 | 0.25 | 0.55 | 1.1 | 1/3 | 3/4 | 1 | 100 | 100 |
| | 2.5 | 1.6...2.5 | 32.5 | 0.37 | 0.75 | 1.5 | 1/2 | 1 1/2 | 1 1/2 | 100 | 100 |
| | 4 | 2.5...4.0 | 52 | 0.75 | 1.5 | 3 | 1 | 2 | 3 | 100 | 100 |
| | 6 | 4...6 | 78 | 1.5 | 2.2 | 4 | 1 1/2 | 5 | 5 | 100 | 100 |
| | 8 | 5...8 | 104 | 1.5 | 3 | 5.5 | 2 | 5 | 5 | 100 | 100 |
| | 10 | 6...10 | 130 | 3 | 4 | 7.5 | 3 | 7 1/2 | 10 | 50 | 38 |
| | 13 | 9...13 | 169 | 3 | 5.5 | 11 | 3 | 7 1/2 | 10 | 50 | 38 |
| | 17 | 11...17 | 221 | 4 | 7.5 | 11 | 5 | 10 | 15 | 20 | 15 |
| | 22 | 14...22 | 286 | 4 | 7.5 | 15 | 7 1/2 | 15 | 20 | 15 | 11 |
| 26 | 18...26 | 338 | 5.5 | 11 | 18.5 | 7 1/2 | 15 | 20 | 15 | 11 | |
| 32 | 22...32 | 416 | 7.5 | 15 | 22 | 10 | 20 | 30 | 15 | 11 | |
| 40 | 28~40 | 520 | 7.5 | 18.5 | 30 | 15 | 30 | 40 | 10 | 8 | |
| MMS-63S | 10 | 6~10 | 130 | 3 | 4 | 7.5 | 3 | 7 1/2 | 10 | 100 | 100 |
| | 13 | 9~13 | 169 | 3 | 5.5 | 11 | 3 | 7 1/2 | 10 | 50 | 38 |
| | 17 | 11~17 | 221 | 4 | 7.5 | 11 | 5 | 10 | 15 | 25 | 19 |
| | 22 | 14~22 | 286 | 4 | 7.5 | 15 | 7 1/2 | 15 | 20 | 25 | 19 |
| | 26 | 18~26 | 338 | 5.5 | 11 | 18.5 | 10 | 20 | 25 | 25 | 19 |
| | 32 | 22~32 | 416 | 7.5 | 15 | 22 | 10 | 25 | 30 | 25 | 19 |
| | 40 | 28~40 | 520 | 7.5 | 18.5 | 30 | 15 | 30 | 40 | 25 | 19 |
| | 50 | 34~50 | 650 | 11 | 22 | 45 | 15 | 40 | 50 | 25 | 19 |
| | 63 | 45~63 | 819 | 15 | 30 | 55 | 20 | 50 | 60 | 25 | 19 |
| | 65 | 47~65 | 845 | 15 | 30 | 55 | 20 | 50 | 60 | 25 | 19 |
| MMS-100S | 17 | 11~17 | 221 | 4 | 7.5 | 11 | 5 | 10 | 15 | 50 | 38 |
| | 22 | 14~22 | 286 | 4 | 7.5 | 15 | 7 1/2 | 15 | 20 | 50 | 38 |
| | 26 | 18~26 | 338 | 5.5 | 11 | 18.5 | 10 | 20 | 25 | 50 | 38 |
| | 32 | 22~32 | 416 | 7.5 | 15 | 22 | 10 | 25 | 30 | 50 | 38 |
| | 40 | 28~40 | 520 | 7.5 | 18.5 | 30 | 15 | 30 | 40 | 50 | 38 |
| | 50 | 34~50 | 650 | 11 | 22 | 45 | 15 | 40 | 50 | 50 | 38 |
| | 63 | 45~63 | 819 | 15 | 30 | 55 | 20 | 50 | 60 | 50 | 38 |
| | 75 | 55~75 | 975 | 22 | 37 | 63 | 25 | 60 | 75 | 50 | 38 |
| | 90 | 70~90 | 1170 | 30 | 45 | 75 | 30 | 75 | 100 | 50 | 38 |
| | 100 | 80~100 | 1300 | 30 | 45 | 90 | 40 | 75 | 100 | 50 | 38 |

| 型号 | 额定电流 Ie [A] | 电流调整范围 [A] | 磁释放动作电流 [A] | 三相交流电动机, AC-2, AC-3 | | | | | | 400/415V | |
|----------|-------------|-------------|-------------|------------------------|------|-------|---------------------|-------|-------|----------|----------|
| | | | | 3-phase [kW] (50/60Hz) | | | 3-phase [HP] (60Hz) | | | Icu [kA] | Ics [kA] |
| | | | | 230V | 400V | 690V | 230V | 460V | 575V | | |
| MMS-32H | 0.16 | 0.1...0.16 | 2.1 | - | 0.02 | - | - | - | - | 100 | 100 |
| | 0.25 | 0.16...0.25 | 3.3 | 0.03 | 0.06 | - | - | - | - | 100 | 100 |
| | 0.4 | 0.25...0.4 | 5.2 | 0.06 | 0.09 | - | - | - | - | 100 | 100 |
| | 0.63 | 0.4...0.63 | 8.2 | 0.09 | 0.12 | 0.25 | - | - | - | 100 | 100 |
| | 1 | 0.63...1.0 | 13 | 0.12 | 0.25 | 0.55 | - | 1/2 | 1/2 | 100 | 100 |
| | 1.6 | 1.0...1.6 | 20.8 | 0.25 | 0.55 | 1.1 | 1/3 | 3/4 | 1 | 100 | 100 |
| | 2.5 | 1.6...2.5 | 32.5 | 0.37 | 0.75 | 1.5 | 1/2 | 1 1/2 | 1 1/2 | 100 | 100 |
| | 4 | 2.5...4.0 | 52 | 0.75 | 1.5 | 3 | 1 | 2 | 3 | 100 | 100 |
| | 6 | 4...6 | 78 | 1.5 | 2.2 | 4 | 1 1/2 | 5 | 5 | 100 | 100 |
| | 8 | 5...8 | 104 | 1.5 | 3 | 5.5 | 2 | 5 | 5 | 100 | 100 |
| | 10 | 6...10 | 130 | 3 | 4 | 7.5 | 3 | 7 1/2 | 10 | 100 | 100 |
| | 13 | 9...13 | 169 | 3 | 5.5 | 11 | 3 | 7 1/2 | 10 | 100 | 100 |
| | 17 | 11...17 | 221 | 4 | 7.5 | 11 | 5 | 10 | 15 | 50 | 38 |
| | 22 | 14...22 | 286 | 4 | 7.5 | 15 | 7 1/2 | 15 | 20 | 50 | 38 |
| 26 | 18...26 | 338 | 5.5 | 11 | 18.5 | 7 1/2 | 15 | 20 | 50 | 38 | |
| 32 | 22...32 | 416 | 7.5 | 15 | 22 | 10 | 20 | 30 | 50 | 38 | |
| 40 | 28~40 | 520 | 7.5 | 18.5 | 30 | 15 | 30 | 40 | 40 | 30 | |
| MMS-63H | 10 | 6~10 | 130 | 3 | 4 | 7.5 | 3 | 7 1/2 | 10 | 100 | 100 |
| | 13 | 9~13 | 169 | 3 | 5.5 | 11 | 3 | 7 1/2 | 10 | 100 | 100 |
| | 17 | 11~17 | 221 | 4 | 7.5 | 11 | 5 | 10 | 15 | 50 | 50 |
| | 22 | 14~22 | 286 | 4 | 7.5 | 15 | 7 1/2 | 15 | 20 | 50 | 50 |
| | 26 | 18~26 | 338 | 5.5 | 11 | 18.5 | 10 | 20 | 25 | 50 | 50 |
| | 32 | 22~32 | 416 | 7.5 | 15 | 22 | 10 | 25 | 30 | 50 | 50 |
| | 40 | 28~40 | 520 | 7.5 | 18.5 | 30 | 15 | 30 | 40 | 50 | 50 |
| | 50 | 34~50 | 650 | 11 | 22 | 45 | 15 | 40 | 50 | 50 | 50 |
| | 63 | 45~63 | 819 | 15 | 30 | 55 | 20 | 50 | 60 | 50 | 50 |
| | 65 | 47~65 | 845 | 15 | 30 | 55 | 20 | 50 | 60 | 50 | 27 |
| MMS-100H | 17 | 11~17 | 221 | 4 | 7.5 | 11 | 5 | 10 | 15 | 100 | 100 |
| | 22 | 14~22 | 286 | 4 | 7.5 | 15 | 7 1/2 | 15 | 20 | 100 | 50 |
| | 26 | 18~26 | 338 | 5.5 | 11 | 18.5 | 10 | 20 | 25 | 100 | 50 |
| | 32 | 22~32 | 416 | 7.5 | 15 | 22 | 10 | 25 | 30 | 100 | 50 |
| | 40 | 28~40 | 520 | 7.5 | 18.5 | 30 | 15 | 30 | 40 | 100 | 50 |
| | 50 | 34~50 | 650 | 11 | 22 | 45 | 15 | 40 | 50 | 100 | 50 |
| | 63 | 45~63 | 819 | 15 | 30 | 55 | 20 | 50 | 60 | 100 | 50 |
| | 75 | 55~75 | 975 | 22 | 37 | 63 | 25 | 60 | 75 | 75 | 50 |
| | 90 | 70~90 | 1170 | 30 | 45 | 75 | 30 | 75 | 100 | 75 | 50 |
| | 100 | 80~100 | 1300 | 30 | 45 | 90 | 40 | 75 | 100 | 75 | 50 |

瞬时型

- 无过载保护
- 最大短路脱扣电流13Ie
- 保护功能
 - 短路



| 型号 | 额定电流 Ie [A] | 电流调整范围 [A] | 磁释放动作电流 [A] | 三相交流电动机, AC-2, AC-3 | | | | | | 400/415V | | |
|-----------|-------------|------------|-------------|------------------------|------|-------|---------------------|-------|-------|----------|----------|-----|
| | | | | 3-phase [kW] (50/60Hz) | | | 3-phase [HP] (60Hz) | | | Icu [kA] | Ics [kA] | |
| | | | | 230V | 400V | 690V | 230V | 460V | 575V | | | |
| MMS-32HI | 0.16 | - | 2.1 | - | 0.02 | - | - | - | - | - | 100 | 100 |
| | 0.25 | - | 3.3 | 0.03 | 0.06 | - | - | - | - | - | 100 | 100 |
| | 0.4 | - | 5.2 | 0.06 | 0.09 | - | - | - | - | - | 100 | 100 |
| | 0.63 | - | 8.2 | 0.09 | 0.12 | 0.25 | - | - | - | - | 100 | 100 |
| | 1 | - | 13 | 0.12 | 0.25 | 0.55 | - | 1/2 | 1/2 | - | 100 | 100 |
| | 1.6 | - | 20.8 | 0.25 | 0.55 | 1.1 | 1/3 | 3/4 | 1 | - | 100 | 100 |
| | 2.5 | - | 32.5 | 0.37 | 0.75 | 1.5 | 1/2 | 1 1/2 | 1 1/2 | - | 100 | 100 |
| | 4 | - | 52 | 0.75 | 1.5 | 3 | 1 | 2 | 3 | - | 100 | 100 |
| | 6 | - | 78 | 1.5 | 2.2 | 4 | 1 1/2 | 5 | 5 | - | 100 | 100 |
| | 8 | - | 104 | 1.5 | 3 | 5.5 | 2 | 5 | 5 | - | 100 | 100 |
| | 10 | - | 130 | 3 | 4 | 7.5 | 3 | 7 1/2 | 10 | - | 100 | 100 |
| | 13 | - | 169 | 3 | 5.5 | 11 | 3 | 7 1/2 | 10 | - | 100 | 100 |
| | 17 | - | 221 | 4 | 7.5 | 11 | 5 | 10 | 15 | - | 50 | 38 |
| 22 | - | 286 | 4 | 7.5 | 15 | 7 1/2 | 15 | 20 | - | 50 | 38 | |
| 26 | - | 338 | 5.5 | 11 | 18.5 | 7 1/2 | 15 | 20 | - | 50 | 38 | |
| 32 | - | 416 | 7.5 | 15 | 22 | 10 | 20 | 30 | - | 50 | 38 | |
| 40 | 28~40 | 520 | 7.5 | 18.5 | 30 | 15 | 30 | 40 | - | 40 | 30 | |
| MMS-63HI | 10 | - | 130 | 3 | 4 | 7.5 | 3 | 7 1/2 | 10 | - | 100 | 100 |
| | 13 | - | 169 | 3 | 5.5 | 11 | 3 | 7 1/2 | 10 | - | 100 | 100 |
| | 17 | - | 221 | 4 | 7.5 | 11 | 5 | 10 | 15 | - | 50 | 50 |
| | 22 | - | 286 | 4 | 7.5 | 15 | 7 1/2 | 15 | 20 | - | 50 | 50 |
| | 26 | - | 338 | 5.5 | 11 | 18.5 | 10 | 20 | 25 | - | 50 | 50 |
| | 32 | - | 416 | 7.5 | 15 | 22 | 10 | 25 | 30 | - | 50 | 50 |
| | 40 | - | 520 | 7.5 | 18.5 | 30 | 15 | 30 | 40 | - | 50 | 50 |
| 50 | - | 650 | 11 | 22 | 45 | 15 | 40 | 50 | - | 50 | 50 | |
| 63 | - | 819 | 15 | 30 | 55 | 20 | 50 | 60 | - | 50 | 50 | |
| 65 | 47~65 | 845 | 15 | 30 | 55 | 20 | 50 | 60 | - | 35 | 27 | |
| MMS-100HI | 17 | - | 221 | 4 | 7.5 | 11 | 5 | 10 | 15 | - | 100 | 100 |
| | 22 | - | 286 | 4 | 7.5 | 15 | 7 1/2 | 15 | 20 | - | 100 | 50 |
| | 26 | - | 338 | 5.5 | 11 | 18.5 | 10 | 20 | 25 | - | 100 | 50 |
| | 32 | - | 416 | 7.5 | 15 | 22 | 10 | 25 | 30 | - | 100 | 50 |
| | 40 | - | 520 | 7.5 | 18.5 | 30 | 15 | 30 | 40 | - | 100 | 50 |
| | 50 | - | 650 | 11 | 22 | 45 | 15 | 40 | 50 | - | 100 | 50 |
| | 63 | - | 819 | 15 | 30 | 55 | 20 | 50 | 60 | - | 100 | 50 |
| | 75 | - | 975 | 22 | 37 | 63 | 25 | 60 | 75 | - | 75 | 50 |
| 90 | - | 1170 | 30 | 45 | 75 | 30 | 75 | 100 | - | 75 | 50 | |
| 100 | - | 1300 | 30 | 45 | 90 | 40 | 75 | 100 | - | 75 | 50 | |

附件 (电气辅助)

| 型号 | 说明 | 接线图 | | |
|---|--|--|---|---|
|  <p>FX...</p> | 辅助开关 • 顶部安装 • 2极 • 每个MMS可配一个FX |  1NO1NC |  2NO |  2NC |
|  <p>LX...</p> | 辅助开关 • 左侧安装 • 2极 • 每个MMS可配一个LX |  1NO1NC |  2NO |  2NC |
|  <p>LA...</p> | 通用报警开关 • 通用脱扣报警 • 左侧安装 • 2极 • 如果与LX同时使用时, 应首先安装LA(MMS-63不能同时安装LX和LA) |  |  |  |
|  <p>LAM...</p> | 磁脱扣报警开关 • 瞬时脱扣报警 • 左面安装 • 2极 • 如果与LX同时使用时, 应首先安装LAM |  |  |  |

附件 (电气辅助)

| 型号 | 说明 | 接线图 | |
|--------|--|-----|---|
| RS... | 分励脱扣器 • 右侧安装 • 每个MMS可配一个侧装的RS • 不能与RU或RUX同时使用 | | 24V 50Hz / 28V 60Hz 110V 50Hz / 120V 60Hz 200V 50Hz / 200~220V 60Hz 220~230V 50Hz / 240~260V 60Hz 240V 50Hz / 277V 60Hz 380~400V 50Hz / 440~460V 60Hz 415~440V 50Hz / 460~480V 60Hz |
| RU... | 欠压脱扣器 • 右侧安装 • 每个MMS可配一个侧装的RU • 不能与RS或RUX同时使用 | | 24V 50Hz / 28V 60Hz 110V 50Hz / 120V 60Hz 200V 50Hz / 200~220V 60Hz 220~230V 50Hz / 240~260V 60Hz 240V 50Hz / 277V 60Hz 380~400V 50Hz / 440~460V 60Hz 415~440V 50Hz / 460~480V 60Hz |
| RUX... | 带辅助的欠压脱扣器 • 右侧安装 • 包含2NO辅助开关 • 每个MMS可配一个侧装的RUX • 不能与RS或RX同时使用 • 不能安装在MMS-32S上 | | 24V 50Hz / 28V 60Hz 110V 50Hz / 120V 60Hz 200V 50Hz / 200~220V 60Hz 220~230V 50Hz / 240~260V 60Hz 240V 50Hz / 277V 60Hz 380~400V 50Hz / 440~460V 60Hz 415~440V 50Hz / 460~480V 60Hz |



● E-手柄 (旋钮型)

MMSE-手柄是一个可安装在前端的旋转式手柄配件,当手动马达启动器位于面板下方时,可通过此手柄配件实现对MMS闭合,分断,脱扣操作的控制。

- 适用型号: MMS-32H/Hi, MMS-63S/H/Hi, MMS-100S/H/Hi
- 运行温度: -20~+60°C
- CE和UL认证
- 防护等级: IP65
- 锁定装置:可锁定on/off位置
- 绝缘材料:塑料(PA66)

| 型号 | 对应MMS型号 | 备注 |
|---------|-----------------------|---------------------|
| MEH-32 | MMS-32H, 32HI | 连接杆长度: 115或315mm |
| MEH-63 | MMS-63S, 63H, 63HI | |
| MEH-100 | MMS-100S, 100H, 100HI | |

● 汇流排

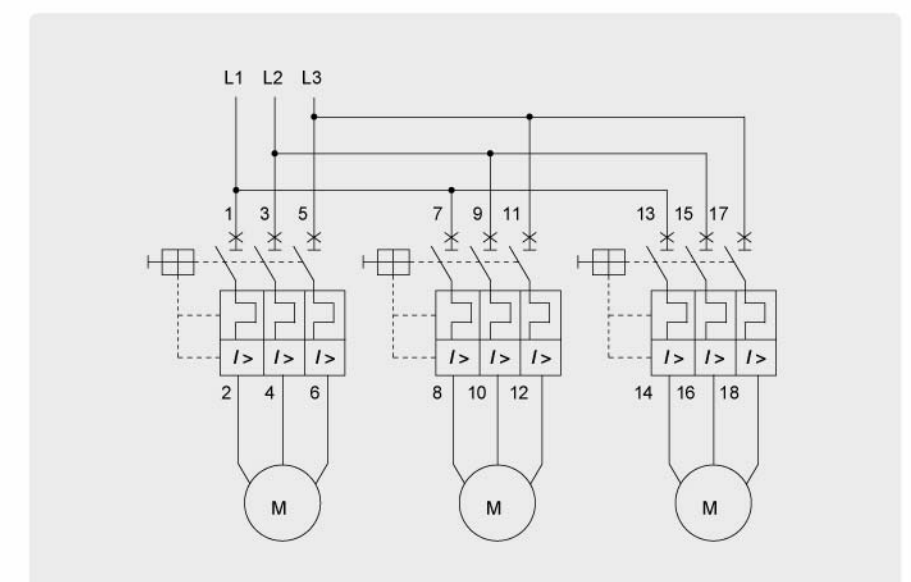
此装置可以将多个MMS主回路端子并联连接,它为“简单配线”和“紧凑型接线空间”提供完美的解决方案。

- 适用型号: MMS-32, 63
- CE和UL认证
- 安全罩内置
- 符合RoHS标准

| 型号 | 对应MMS型号 | 端子数 | 额定电流 | 附加安全罩 |
|--------|--------------------|-----|------|---------|
| PB-322 | MMS-32S, 32H, 32HI | 2 | 63A | PBPC-32 |
| PB-323 | | 3 | | |
| PB-632 | MMS-63S, 63H, 63HI | 2 | 108A | PBPC-63 |
| PB-633 | | 3 | | |



● 电路图



附件 (电气辅助)



● 外壳

MMS外壳具有防尘、防腐蚀以及防爆的结构设计特点。因此，它适用于存在灰尘、气体以及液体等使用环境恶劣的场所，如水泥厂、棉花厂、化肥厂、炼油厂、电镀厂等。

- 适用型号: MMS-32H/HI
- 运行温度: -20~+60℃
- CE和UL认证
- 防护等级: IP65
- 绝缘材料: 塑料(ABS)

| 型号 | 对应MMS型号 | 备注 |
|--------|---------------|------|
| EPH-32 | MMS-32H, 32HI | 外部安装 |



● 刻度盘盖

刻度盘盖用来防止对电流设置旋钮的无意操作。它是MMS的标准配置。

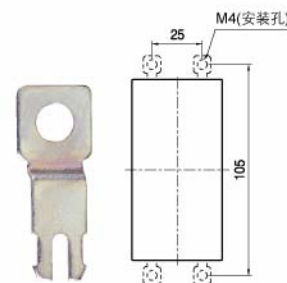
- 适用型号: MMS-32, 63, 100 (所有型号)

● 绝缘挡板

绝缘挡板用来扩大爬电距离，以满足UL要求。

- 适用型号: MMS-100

| 型号 | 对应MMS型号 |
|-------|-----------------------|
| IB100 | MMS-100S, 100H, 100HI |

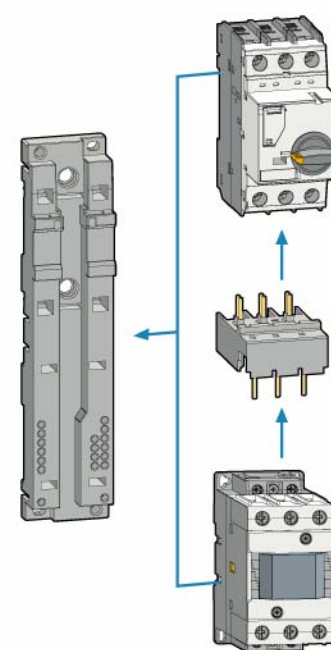


● 螺钉安装架

32AFMMS只具有DIN导轨安装方式，当在安装盘上通过螺钉安装MMS时，需配合使用螺钉安装架。

- 适用型号: MMS-32

| 型号 | 对应MMS型号 | 备注 |
|-------|--------------------------|------|
| MP-32 | MP-32 MMS-32S, 32H, 32HI | M4螺钉 |



● 直接连接适配器和安装单元

直接连接适配器, DA直接连接适配器用于MMS和接触器的连接。

安装单元, MU

此装置用于将MMS和接触器安装在一起。

- 适用型号: MMS+ Susol系列接触器(MC-9~95), 微型接触器

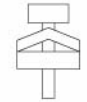
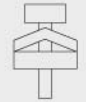
| 型号 | | 联合装置 | | |
|---------|-------|-----------------------|---------------------------|---------------------------|
| 连接适配器 | 安装单元 | MMS | MC | |
| DA-16SA | MU-45 | MMS-32S | Mini-MC GMC-6M~16M (AC控制) | |
| DA-16SD | | | Mini-MC GMC-6M~16M (DC控制) | |
| DA-16HA | | | MMS-32H, 32HI | Mini-MC GMC-6M~16M (AC控制) |
| DA-16HD | | | | Mini-MC GMC-6M~16M (DC控制) |
| DA-18SA | | MMS-32S | MC-6a~18a (AC控制) | |
| DA-18SD | | | MC-6a~18a (DC控制) | |
| DA-18HA | | MMS-32H | MC-6a~18a (AC控制) | |
| DA-18HD | | | MC-6a~18a (DC控制) | |
| DA-32SA | | MMS-32S | MC-9~32 (AC控制) | |
| DA-32SD | | | MC-9~32 (DC控制) | |
| DA-32HA | | MMS-32H, 32HI | MC-9~32 (AC控制) | |
| DA-32HD | | | MC-9~32 (DC控制) | |
| DA-63A | | MU-55 | MMS-63S, 63H, 63HI | MC-35~63 (AC控制) |
| DA-63D | | | | MC-35~63 (DC控制) |
| DA-95A | MU-70 | MMS-100S, 100H, 100HI | MC-65~95 (AC控制) | |
| DA-95D | | | MC-65~95 (DC控制) | |



注意) MMS和接触器可通过直接连接适配器组合安装。

常规参数

● 端子

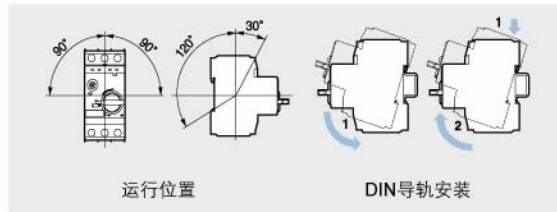
| | MMS32S | MMS32H | MMS63S, 63H | MMS100S, 100H |
|-------------------------------------|---|--------------------|---------------------|---------------------|
| 符合标准 | IEC60947 UL508, UL508 Type E | | | |
| 认证 | CE, UL | | | |
| 端子部件 |  | | | |
| 螺钉 |  | | | |
| 单芯电缆 | 1.导线 [MM²]/[AWG] 1...10 / 18...8 | 1...10 / 18...8 | 0.75...35 / 18...2 | 2.5...70 / 12...2/0 |
| 2.导线 [MM²]/[AWG] 1...6 / 18...10 | 1...6 / 18...10 | 0.75...25 / 18...4 | 2.5...50 / 12...1/0 | |
| 多芯电缆 | 1.导线 [MM²]/[AWG] 1...6 / 18...10 | 1...6 / 18...10 | 0.75...35 / 18...2 | 2.5...70 / 12...2/0 |
| 2.导线 [MM²]/[AWG] 1...6 / 18...10 | 1...6 / 18...10 | 0.75...25 / 18...4 | 2.5...50 / 12...1/0 | |
| 软线 | 1.导线 [MM²]/[AWG] 1...6 / 18...10 | 1...6 / 18...10 | 0.75...25 / 18...4 | 2.5...50 / 12...1/0 |
| 2.导线 [MM²]/[AWG] 0.75...4 / 18...10 | 0.75...4 / 18...10 | 0.75...16 / 18...6 | 2.5...35 / 10...2 | |
| 紧固力矩 [Nm]/[lb-in] | 0.8...2.5 / 7...22 | 0.8...2.5 / 7...22 | 3...4.5 / 26...39 | 4...6 / 35...53 |

● 功耗

| | MMS32S | MMS32H | MMS63S, 63H | MMS100S, 100H |
|--------------------|--|--|---|---|
| MMS在额定工作状态下的总功耗[W] | In = 0.16~1.6A : 4.4 In = 2.5~26A : 7.4 In = 32A : 4.0 | In = 0.16~1.6A : 4.4 In = 2.5~26A : 7.4 In = 32A : 4.0 | In = 10~22A : 10.2 In = 26~63A : 9.7 | In = 17~32A : 15 In = 40~63A : 21.8 In = 75~100A : 17.8 |

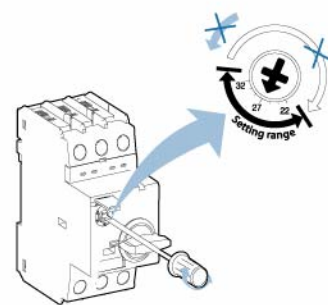
● 安装

MMS32~63使用35mm DIN导轨
MMS100使用35mm或75mm DIN导轨
- 35mm DIN导轨深度为15mm



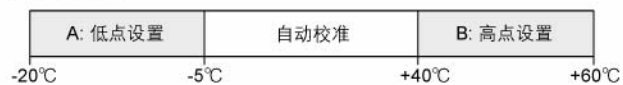
● 参数调整注意事项

- 保持下图所示设置范围
- 逆时针旋转出设置范围可能导致设备的损坏。



刻度盘设置方法

3. 环境温度校对

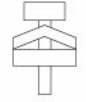


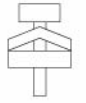
如果在标准空气温度范围(-5°C~+40°C)外使用, 则需要对一点进行校准。

● 环境

环境空气湿度
贮存: -50...+80°C
运行: -20...+60°C
环境温度补偿: -20...+60°C
最大工作海拔: 2000m
防护等级: IP20
抗冲击性能: 25g
抗振性能: 5~150Hz

● 附件

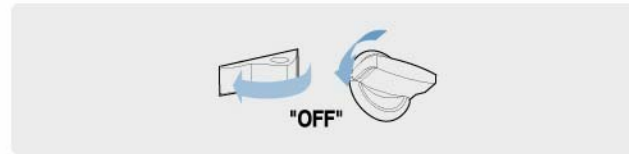
| | 顶部安装辅助开关 FX... | 左侧安装辅助开关 LX... | 左侧安装报警开关 LA... |
|---------------------------------------|---|----------------------|----------------------|
| 额定发热电流 / Ith | | | |
| 在40°C环境温度时 [A] | 5 | 10 | 10 |
| 在60°C环境温度时 [A] | 3 | 6 | 6 |
| 触头等级符合NEMA (UL/CSA-标准) | AC DC | A600 Q300 | A600 Q300 |
| 备用熔断器Gg, gL [A] | 16 | 16 | 16 |
| 额定电压 [V] | - | 240 | 240 |
| AC-15: [A] | - | 3 | 4 |
| DC-13: [V] | 24 | 220 | 220 |
| [A] | 1 | 0.1 | 0.25 |
| 重量 (g) | 18 | 30 | 40 |
| 端子部件 |  | | |
| 工具 | 2型十字螺丝刀 | | |
| 单芯电缆 | 1.导线 [MM²]/[AWG] 0.5...2.5 / 20...14 | 0.5...2.5 / 20...14 | 0.5...2.5 / 20...14 |
| 2.导线 [MM²]/[AWG] - | - | 0.5...2.5 / 20...14 | 0.5...2.5 / 20...14 |
| 多芯电缆 | 1.导线 [MM²]/[AWG] 0.5...4 / 20...10 | 0.5...4 / 20...10 | 0.5...4 / 20...10 |
| 2.导线 [MM²]/[AWG] 0.75...2.5 / 18...14 | 0.75...2.5 / 18...14 | 0.75...2.5 / 18...14 | 0.75...2.5 / 18...14 |
| 紧固力矩 [Nm] / [lb-in] | 0.8...1.2 / 7...10 | 0.8...1.2 / 7...10 | 0.8...1.2 / 7...10 |

| | 右侧安装 欠压脱扣器 RU... | 右侧安装带2个辅助触头的 欠压脱扣器 RUX... | 右侧安装 分励脱扣器 RS... |
|---------------------------------------|---|---------------------------------|-------------------------------|
| 起始电压 | | | |
| 吸合 | 0.7...1.1 × Us | 0.85...1.1 × Us | 0.85...1.1 × Us |
| 断开 | | 0.7...0.35 × Us | 0.7...0.35 × Us |
| 额定控制电压 | | | |
| 最小: | 24V 50Hz / 28V 60Hz | 24V 50Hz / 28V 60Hz | 24V 50Hz / 28V 60Hz |
| 最大: | 415~440V 50Hz / 460~480V 60Hz | 415~440V 50Hz / 460~480V 60Hz | 415~440V 50Hz / 460~480V 60Hz |
| 线圈 | | | |
| 吸合 | 8.5VA, 6W | 8.5VA, 6W | 8.5VA, 6W |
| 保持 | 3VA, 1.2W | 3VA, 1.2W | 3VA, 1.2W |
| 动作时间(ms) | - | 20 | 20 |
| 重量(g) | 18 | 30 | 40 |
| 端子部分 |  | | |
| 工具 | 2型十字螺丝刀 | | |
| 单芯电缆 | 1.导线 [MM²]/[AWG] 0.5...2.5 / 20...14 | 0.5...2.5 / 20...14 | 0.5...2.5 / 20...14 |
| 2.导线 [MM²]/[AWG] - | - | 0.5...2.5 / 20...14 | 0.5...2.5 / 20...14 |
| 多芯电缆 | 1.导线 [MM²]/[AWG] 0.5...4 / 20...10 | 0.5...4 / 20...10 | 0.5...4 / 20...10 |
| 2.导线 [MM²]/[AWG] 0.75...2.5 / 18...14 | 0.75...2.5 / 18...14 | 0.75...2.5 / 18...14 | 0.75...2.5 / 18...14 |
| 紧固力矩 [Nm] / [lb-in] | 0.8...1.2 / 7...10 | 0.8...1.2 / 7...10 | 0.8...1.2 / 7...10 |

常规参数

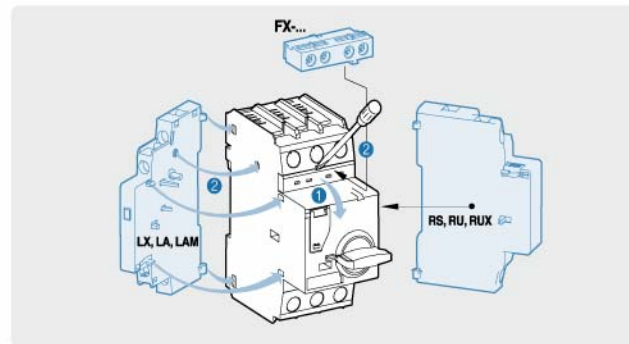
● 附件安装

在任何操作前，请确认断开MMS主触头。

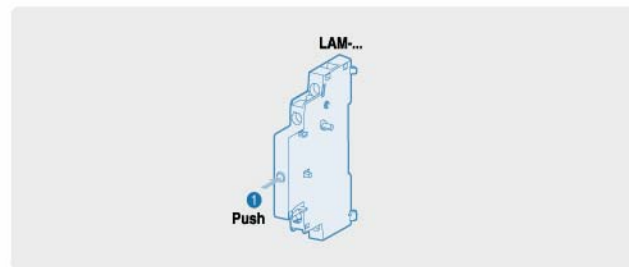


MMS-32S/H/Hi

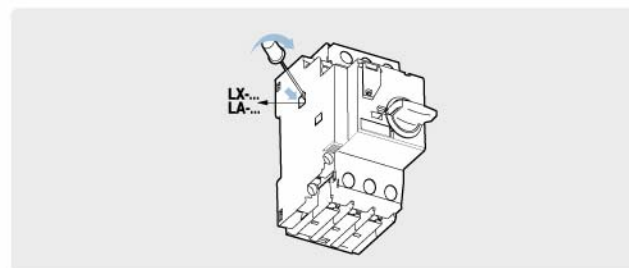
- 安装FX，首先拆除盖板①。
- 可同时安装2个LX。
- 在RU, RS 和 RUX中，只能有一个安装在MMS的右侧。
- 不要提供RS超过10秒的脱扣信号。
- 在MMS左侧安装LX, LA和LZM时，请先查阅可能的组合配置图。



- 安装LAM前，先按下脱扣按钮。

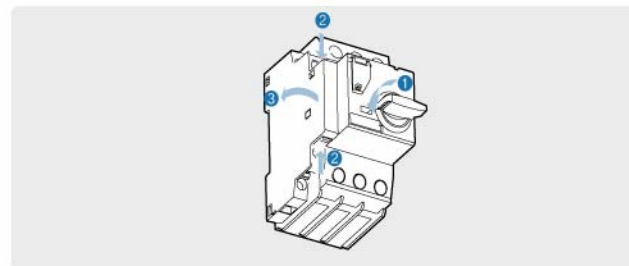


- 安装额外的LX前，先拆除图中所示部分。



从MMS上分离附件的方法

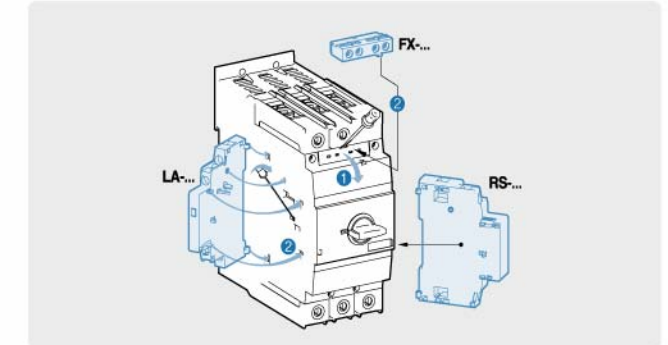
- 分离附件前，首先断开MMS的主触头。
- 按下附件的分离按钮。



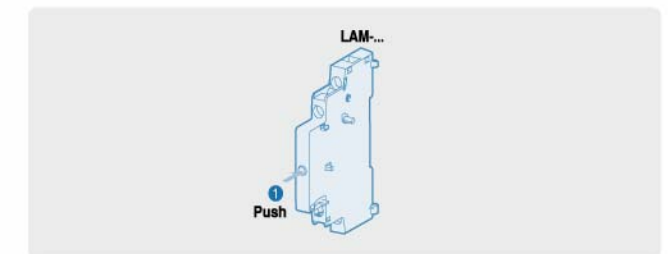
● 附件安装

MMS-63, 100S/H/Hi

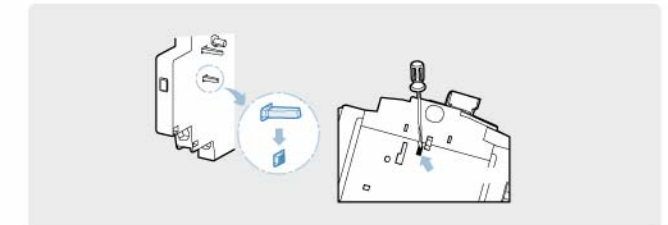
- 安装FX前，首先拆除盖板①。
- 可同时安装2个LX。
(MMS-63仅能安装1个)
- 在RU, RS 和 RUX中，只能有一个安装在MMS的右侧。
- 不要提供RS超过10秒的脱扣信号。
- 在MMS左侧安装LX, LA和LAM时，请先查阅可能的组合配置图。



- 安装LAM前，先按下脱扣按钮。



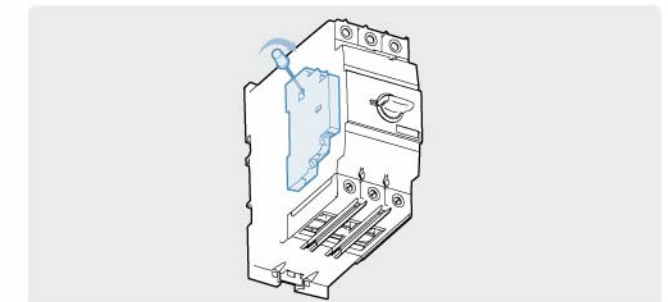
- 在MMS-63和MMS-100上安装LA之前，首先拆除图中所示部分。



- 不要在MMS-100脱扣状态安装LA。



- 安装额外的LX前，先拆除图中所示部分。



MMS附件分离方法

- 分离附件前，首先断开MMS的主触头。
- 按下附件的分离按钮。

常规参数

● 附件的安装

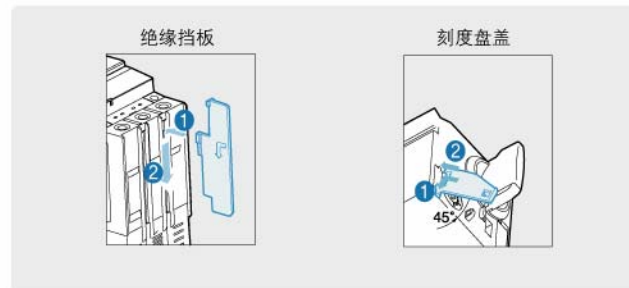
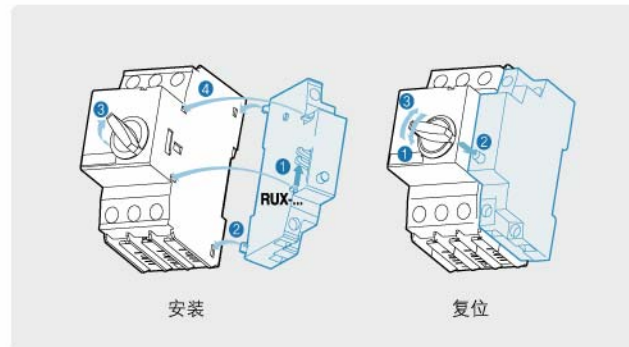
RUX安装与复位的方法

安装

- 检查RUX脱扣按钮是否弹起。
如果没有弹起，拨动①控制杆使其弹起。
- 安装②底部挂钩到MMS。
- 旋转③ MMS手柄20到30度到闭合位置方向并保持。
- 安装④顶部挂钩到MMS。
- 输入电源到RUX。
- 闭合MMS手柄。

复位

- 欠压脱扣后，RUX脱扣按钮未弹起。
脱扣后闭合MMS。
- 断开MMS并检查RUX脱扣按钮是否弹起
 - 按下脱扣按钮
 - 闭合MMS

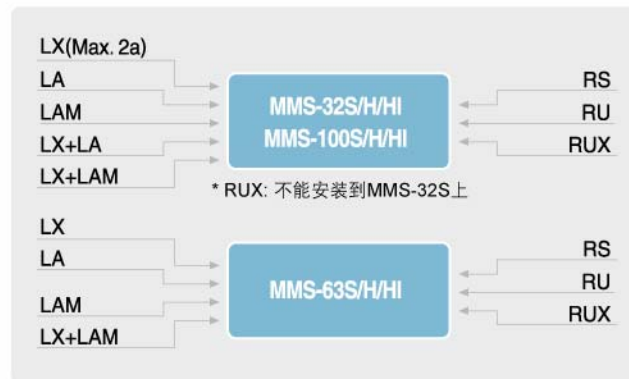
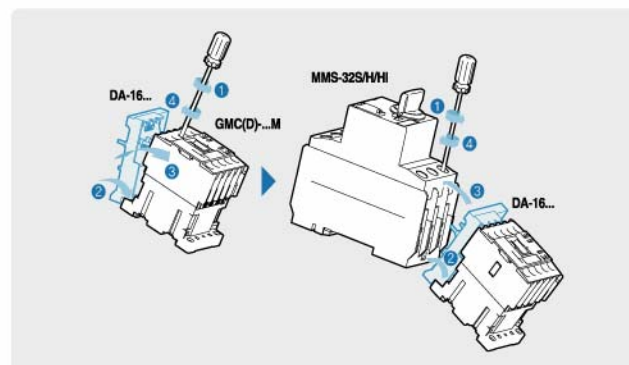


* 只包括MMS-100

* 所有型号MMS

与微型接触器组合

| 适配器 | MMS | + | 接触器模块 |
|---------|---------|---|----------------|
| DA-16SA | MMS-32S | + | GMC-6M~16M |
| DA-16SD | MMS-32S | + | GMD-6M~16M |
| DA-16HA | MMS-32H | + | GMC-6M~16M |
| DA-16HD | MMS-32H | + | GMD-6M~16M |
| DA-18SA | MMS-32S | + | MC-6a~18a (AC) |
| DA-18SD | MMS-32S | + | MC-6a~18a (DC) |
| DA-18HA | MMS-32H | + | MC-6a~18a (AC) |
| DA-18HD | MMS-32H | + | MC-6a~18a (DC) |
| DA-32SA | MMS-32S | + | MC-9~32 (AC) |
| DA-32HA | MMS-32H | + | MC-9~32 (AC) |
| DA-63A | MMS-63 | + | MC-35~63 (AC) |
| DA-95A | MMS-100 | + | MC-65~95 (AC) |
| DA-32SD | MMS-32S | + | MC-9~32 (DC) |
| DA-32HD | MMS-32H | + | MC-9~32 (DC) |
| DA-63D | MMS-63 | + | MC-35~63 (DC) |
| DA-95D | MMS-100 | + | MC-65~95 (DC) |

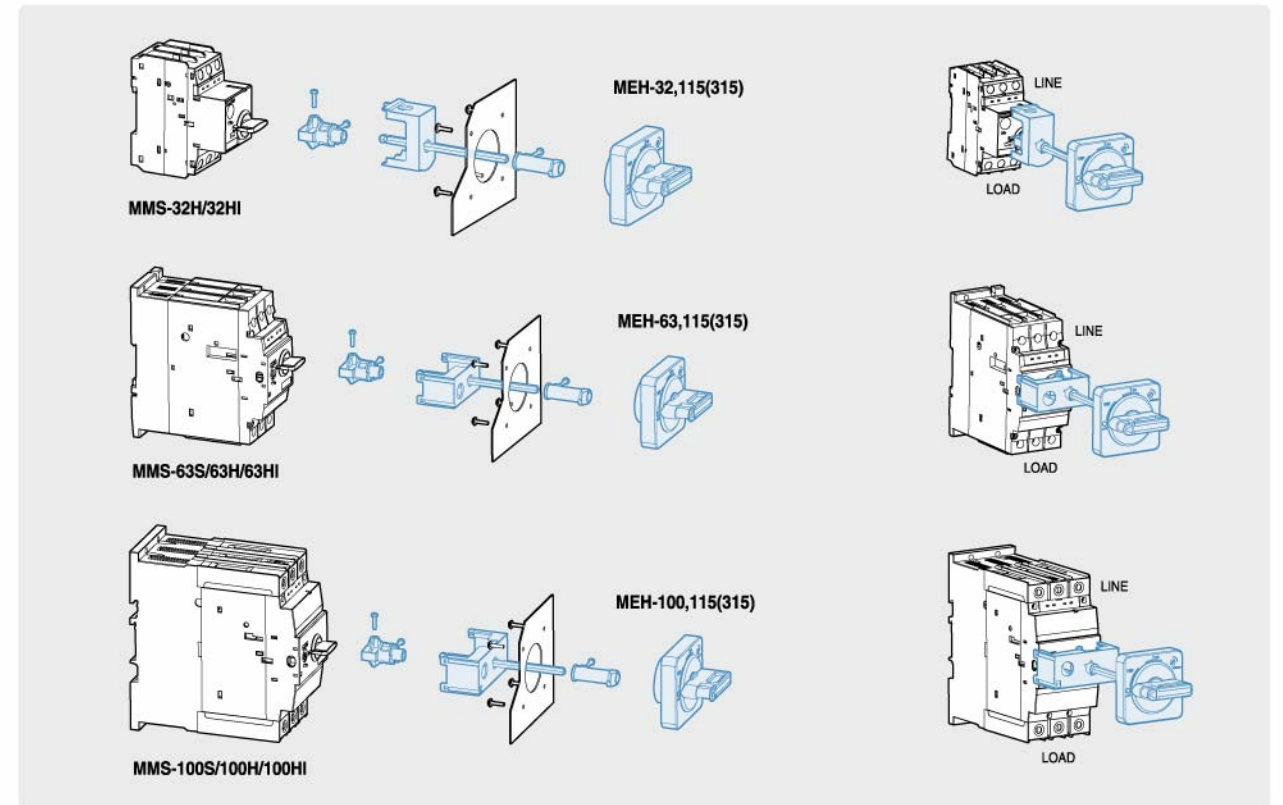


附件组合配置图

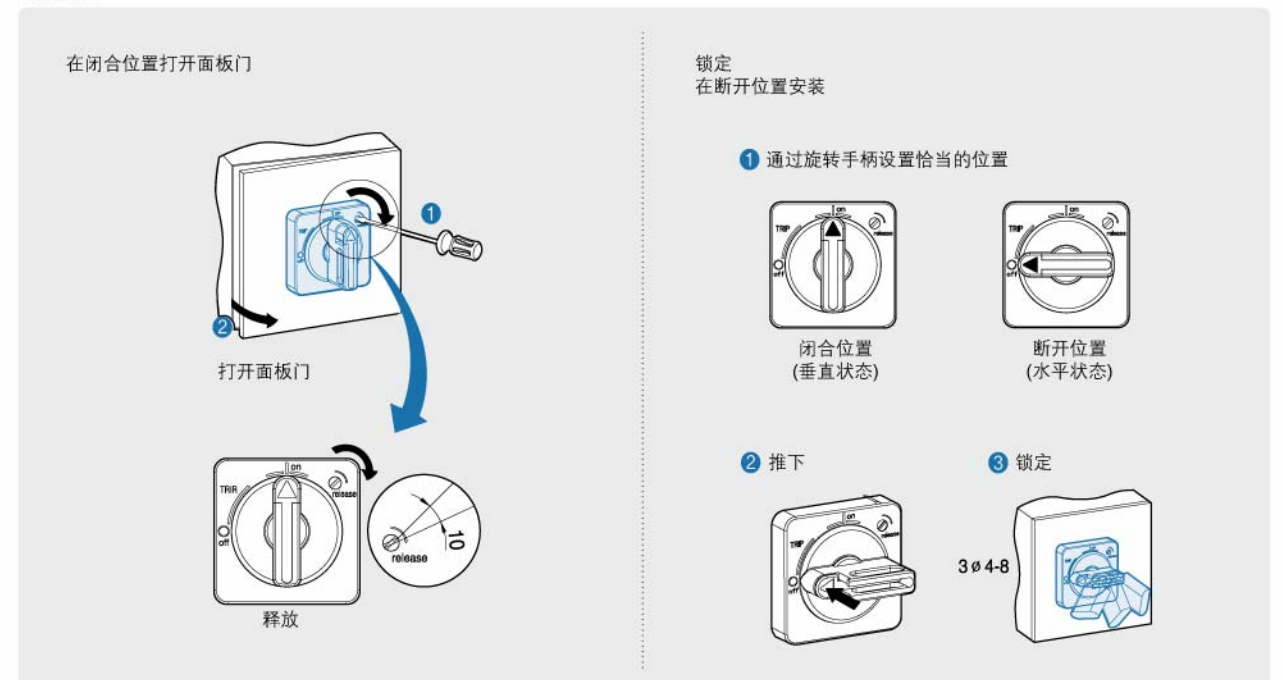
请在安装附件之前仔细阅读附件组合配置图，不恰当的组合可能导致电气失败或事故。

● E-手柄

结构

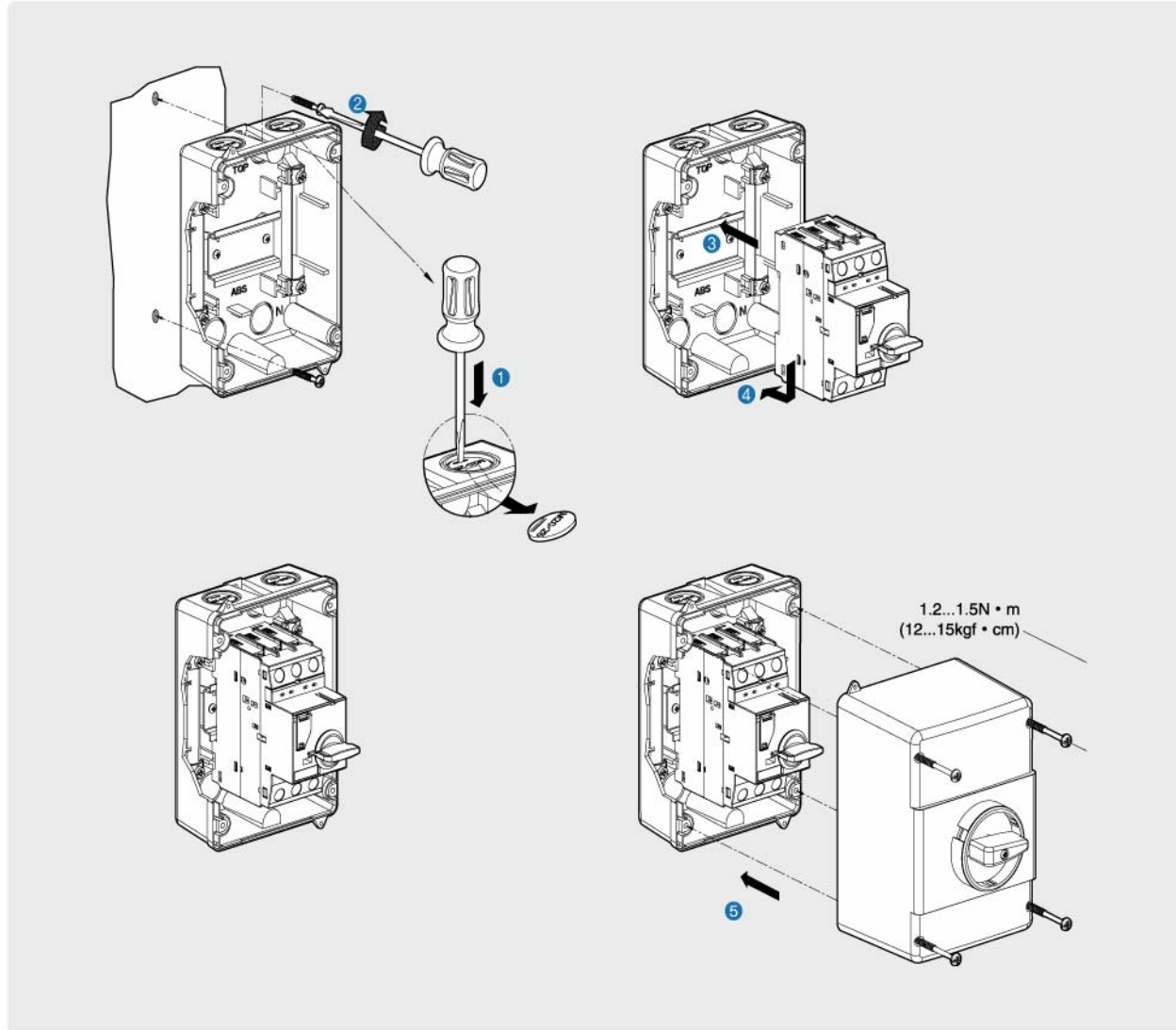


锁定装置



常规参数

● 外壳



IEC性能参数(马达保护)

标准型

● MMS 32S

| 额定电流 | I_e [A] | 0.16 | 0.25 | 0.4 | 0.63 | 1 | 1.6 | 2.5 | 4 | 6 | 8 | 10 | 13 | 17 | 22 | 26 | 32 | 40 | |
|-----------------------------------|-----------|------|------|------|------|-----------|-----------|------|-----------|---------|-----|-------|-----|-------|-----|------|------|------|--|
| 三相电动机的通断 | | | | | | | | | | | | | | | | | | | |
| AC-2, AC-3 | | | | | | | | | | | | | | | | | | | |
| 230/240V | [kW] | - | 0.03 | 0.06 | 0.09 | 0.12 | 0.18/0.25 | 0.37 | 0.55/0.75 | 1.1/1.5 | 1.5 | 2.2/3 | 3 | 3.7/4 | 4 | 5.5 | 7.5 | 7.5 | |
| 400/415V | [kW] | 0.02 | 0.06 | 0.09 | 0.12 | 0.18/0.25 | 0.37/0.55 | 0.75 | 1.1/1.5 | 2.2 | 3 | 3.7/4 | 5.5 | 7.5 | 7.5 | 11 | 15 | 18.5 | |
| 500V | [kW] | - | - | - | 0.25 | 0.37 | 0.55/0.75 | 1.1 | 1.5/2.2 | 3 | 3.7 | 4/5.5 | 7.5 | 11 | 11 | 15 | 18.5 | 22 | |
| 690V | [kW] | - | - | - | 0.25 | 0.37/0.55 | 0.75/1.1 | 1.5 | 2.2/3 | 3.7/4 | 5.5 | 7.5 | 11 | 11 | 15 | 18.5 | 22 | 30 | |
| 备用熔断器 | | | | | | | | | | | | | | | | | | | |
| gG, gL, only if $I_{cc} > I_{cu}$ | | | | | | | | | | | | | | | | | | | |
| (* = 无备用熔断器) | | | | | | | | | | | | | | | | | | | |
| 230/240V | [A] | * | * | * | * | * | * | * | * | * | * | * | * | * | 125 | 125 | 125 | 160 | |
| 400/415V | [A] | * | * | * | * | * | * | * | * | * | * | 80 | 80 | 100 | 100 | 100 | 100 | 125 | |
| 440/460V | [A] | * | * | * | * | * | * | * | 50 | 50 | 63 | 63 | 80 | 80 | 100 | 100 | 100 | 100 | |
| 500V | [A] | * | * | * | * | * | * | 50 | 40 | 50 | 63 | 63 | 80 | 80 | 80 | 80 | 80 | 80 | |
| 690V | [A] | * | * | * | * | * | 20 | 35 | 40 | 50 | 63 | 63 | 63 | 63 | 63 | 63 | 63 | 63 | |
| 极限短路分断能力 I_{cu} | | | | | | | | | | | | | | | | | | | |
| 230/240V | [kA] | 100 | 100 | 100 | 100 | 100 | 100 | 100 | 100 | 100 | 100 | 100 | 100 | 50 | 40 | 40 | 30 | 20 | |
| 400/415V | [kA] | 100 | 100 | 100 | 100 | 100 | 100 | 100 | 100 | 100 | 100 | 50 | 50 | 20 | 15 | 15 | 15 | 10 | |
| 440/460V | [kA] | 100 | 100 | 100 | 100 | 100 | 100 | 100 | 50 | 15 | 15 | 10 | 10 | 8 | 8 | 8 | 6 | 5 | |
| 500V | [kA] | 100 | 100 | 100 | 100 | 100 | 100 | 50 | 15 | 10 | 10 | 6 | 6 | 6 | 6 | 6 | 5 | 4 | |
| 690V | [kA] | 100 | 100 | 100 | 100 | 100 | 3 | 3 | 3 | 3 | 3 | 3 | 3 | 3 | 3 | 3 | 3 | 2 | |
| 额定运行短路分断能力 I_{cs} | | | | | | | | | | | | | | | | | | | |
| 230/240V | [kA] | 100 | 100 | 100 | 100 | 100 | 100 | 100 | 100 | 100 | 100 | 100 | 100 | 38 | 30 | 30 | 22 | 15 | |
| 400/415V | [kA] | 100 | 100 | 100 | 100 | 100 | 100 | 100 | 100 | 100 | 100 | 38 | 38 | 15 | 11 | 11 | 11 | 8 | |
| 440/460V | [kA] | 100 | 100 | 100 | 100 | 100 | 100 | 100 | 38 | 11 | 11 | 11 | 8 | 8 | 6 | 6 | 4 | 3 | |
| 500V | [kA] | 100 | 100 | 100 | 100 | 100 | 100 | 38 | 11 | 8 | 8 | 5 | 5 | 5 | 5 | 5 | 4 | 3 | |
| 690V | [kA] | 100 | 100 | 100 | 100 | 100 | 3 | 3 | 3 | 3 | 3 | 3 | 3 | 3 | 3 | 3 | 3 | 2 | |

● MMS 63S

| 额定电流 | I_e [A] | 10 | 13 | 17 | 22 | 26 | 32 | 40 | 50 | 63 | 65 |
|-----------------------------------|-----------|-------|-----|-------|-----|------|------|------|-----|-----|-----|
| 三相电动机的通断 | | | | | | | | | | | |
| AC-2, AC-3 | | | | | | | | | | | |
| 230/240V | [kW] | 2.2/3 | 3 | 3.7/4 | 4 | 5.5 | 7.5 | 7.5 | 11 | 15 | 15 |
| 400/415V | [kW] | 3.7/4 | 5.5 | 7.5 | 7.5 | 11 | 15 | 18.5 | 22 | 30 | 30 |
| 500V | [kW] | 4/5.5 | 7.5 | 11 | 11 | 15 | 18.5 | 22 | 30 | 37 | 37 |
| 690V | [kW] | 7.5 | 11 | 11 | 15 | 18.5 | 22 | 30 | 45 | 55 | 55 |
| 备用熔断器 | | | | | | | | | | | |
| gG, gL, only if $I_{cc} > I_{cu}$ | | | | | | | | | | | |
| (* = 无备用熔断器) | | | | | | | | | | | |
| 230/240V | [A] | * | * | * | 125 | 125 | 160 | 160 | 160 | 200 | 200 |
| 400/415V | [A] | * | 80 | 100 | 125 | 125 | 125 | 125 | 160 | 160 | 180 |
| 440/460V | [A] | 80 | 80 | 100 | 100 | 100 | 100 | 100 | 100 | 125 | 125 |
| 500V | [A] | 80 | 80 | 80 | 80 | 80 | 80 | 80 | 80 | 80 | 80 |
| 690V | [A] | 63 | 63 | 63 | 63 | 63 | 63 | 63 | 63 | 80 | 60 |
| 极限短路分断能力 I_{cu} | | | | | | | | | | | |
| 230/240V | [kA] | 100 | 100 | 100 | 50 | 50 | 50 | 50 | 50 | 50 | 50 |
| 400/415V | [kA] | 100 | 50 | 25 | 25 | 25 | 25 | 25 | 25 | 25 | 25 |
| 440/460V | [kA] | 15 | 10 | 10 | 10 | 10 | 10 | 10 | 10 | 10 | 10 |
| 500V | [kA] | 10 | 6 | 6 | 6 | 6 | 6 | 6 | 6 | 6 | 6 |
| 690V | [kA] | 4 | 4 | 4 | 4 | 4 | 4 | 4 | 4 | 4 | 4 |
| 额定运行短路分断能力 I_{cs} | | | | | | | | | | | |
| 230/240V | [kA] | 100 | 100 | 100 | 38 | 38 | 38 | 38 | 38 | 38 | 38 |
| 400/415V | [kA] | 100 | 38 | 19 | 19 | 19 | 19 | 19 | 19 | 19 | 19 |
| 440/460V | [kA] | 12 | 8 | 8 | 8 | 8 | 8 | 8 | 8 | 8 | 8 |
| 500V | [kA] | 8 | 5 | 5 | 5 | 5 | 5 | 5 | 5 | 5 | 5 |
| 690V | [kA] | 3 | 3 | 3 | 3 | 3 | 3 | 3 | 3 | 3 | 3 |

IEC性能参数(马达保护)

标准型

• MMS 100S

| 额定电流 | le [A] | 17 | 22 | 26 | 32 | 40 | 50 | 63 | 75 | 90 | 100 |
|--|--------|-------|-----|------|------|------|-----|-----|-----|-----|-----|
| 三相电动机的通断 | | | | | | | | | | | |
| AC-2, AC-3 | | | | | | | | | | | |
| 230/240V | [kW] | 3.7/4 | 4 | 5.5 | 7.5 | 7.5 | 11 | 15 | 22 | 30 | 30 |
| 400/415V | [kW] | 7.5 | 7.5 | 11 | 15 | 18.5 | 22 | 30 | 37 | 45 | 45 |
| 500V | [kW] | 11 | 11 | 15 | 18.5 | 22 | 30 | 37 | 45 | 55 | 63 |
| 690V | [kW] | 11 | 15 | 18.5 | 22 | 30 | 45 | 55 | 63 | 75 | 90 |
| 备用熔断器 gG, gL, only if Icc>Icu (* = 无备用熔断器) | | | | | | | | | | | |
| 230/240V | [A] | * | * | * | * | * | * | * | * | * | * |
| 400/415V | [A] | 100 | 125 | 125 | 125 | 160 | 160 | 160 | 160 | 160 | 160 |
| 440/460V | [A] | 100 | 125 | 125 | 125 | 125 | 125 | 160 | 160 | 160 | 160 |
| 500V | [A] | 100 | 100 | 100 | 100 | 100 | 100 | 100 | 125 | 125 | 125 |
| 690V | [A] | 63 | 80 | 80 | 80 | 80 | 80 | 80 | 100 | 125 | 125 |
| 极限短路分断能力Icu | | | | | | | | | | | |
| 230/240V | [kA] | 100 | 100 | 100 | 100 | 100 | 100 | 100 | 100 | 100 | 100 |
| 400/415V | [kA] | 50 | 50 | 50 | 50 | 50 | 50 | 50 | 50 | 50 | 50 |
| 440/460V | [kA] | 40 | 40 | 40 | 40 | 40 | 40 | 40 | 40 | 40 | 40 |
| 500V | [kA] | 25 | 25 | 25 | 25 | 15 | 15 | 15 | 8 | 8 | 8 |
| 690V | [kA] | 10 | 10 | 10 | 10 | 6 | 6 | 6 | 5 | 5 | 5 |
| 额定运行短路分断能力Ics | | | | | | | | | | | |
| 230/240V | [kA] | 100 | 100 | 100 | 100 | 100 | 100 | 100 | 100 | 100 | 100 |
| 400/415V | [kA] | 38 | 38 | 38 | 38 | 38 | 38 | 38 | 38 | 38 | 38 |
| 440/460V | [kA] | 30 | 30 | 30 | 30 | 30 | 30 | 30 | 30 | 30 | 30 |
| 500V | [kA] | 19 | 19 | 19 | 11 | 11 | 9 | 9 | 6 | 6 | 6 |
| 690V | [kA] | 8 | 8 | 8 | 8 | 5 | 5 | 5 | 4 | 4 | 4 |



高分断型

• MMS 63H

| 额定电流 | le [A] | 10 | 13 | 17 | 22 | 26 | 32 | 40 | 50 | 63 | 55 |
|--|--------|-------|-----|-------|-----|------|------|------|-----|-----|-----|
| 三相电动机的通断 | | | | | | | | | | | |
| AC-2, AC-3 | | | | | | | | | | | |
| 230/240V | [kW] | 2.2/3 | 3 | 3.7/4 | 4 | 5.5 | 7.5 | 7.5 | 11 | 15 | 15 |
| 400/415V | [kW] | 3.7/4 | 5.5 | 7.5 | 7.5 | 11 | 15 | 18.5 | 22 | 30 | 30 |
| 500V | [kW] | 4/5.5 | 7.5 | 11 | 11 | 15 | 18.5 | 22 | 30 | 37 | 37 |
| 690V | [kW] | 7.5 | 11 | 11 | 15 | 18.5 | 22 | 30 | 45 | 55 | 55 |
| 备用熔断器 gG, gL, only if Icc>Icu (* = 无备用熔断器) | | | | | | | | | | | |
| 230/240V | [A] | * | * | * | * | * | * | * | * | * | * |
| 400/415V | [A] | * | * | 100 | 125 | 125 | 125 | 160 | 160 | 160 | 160 |
| 440/460V | [A] | 100 | 100 | 100 | 125 | 125 | 125 | 125 | 125 | 160 | 160 |
| 500V | [A] | 100 | 100 | 100 | 100 | 100 | 100 | 100 | 100 | 100 | 100 |
| 690V | [A] | 63 | 63 | 63 | 80 | 80 | 80 | 80 | 80 | 80 | 80 |
| 极限短路分断能力Icu | | | | | | | | | | | |
| 230/240V | [kA] | 100 | 100 | 100 | 100 | 100 | 100 | 100 | 100 | 100 | 75 |
| 400/415V | [kA] | 100 | 100 | 50 | 50 | 50 | 50 | 50 | 50 | 50 | 35 |
| 440/460V | [kA] | 50 | 50 | 50 | 50 | 35 | 35 | 35 | 35 | 35 | 25 |
| 500V | [kA] | 50 | 42 | 12 | 12 | 12 | 10 | 10 | 10 | 10 | 6 |
| 690V | [kA] | 6 | 6 | 5 | 5 | 5 | 5 | 5 | 5 | 5 | 3 |
| 额定运行短路分断能力Ics | | | | | | | | | | | |
| 230/240V | [kA] | 100 | 100 | 100 | 100 | 100 | 100 | 100 | 100 | 100 | 50 |
| 400/415V | [kA] | 100 | 100 | 50 | 50 | 50 | 50 | 50 | 50 | 50 | 27 |
| 440/460V | [kA] | 38 | 38 | 38 | 38 | 27 | 27 | 27 | 27 | 27 | 19 |
| 500V | [kA] | 38 | 32 | 9 | 9 | 9 | 8 | 8 | 8 | 8 | 5 |
| 690V | [kA] | 5 | 5 | 5 | 5 | 5 | 5 | 5 | 5 | 5 | 3 |

注) * = 当启动器可以分断50~100kA时, 可不需要备用熔断器。

高分断型

• MMS 32H

| 额定电流 | le [A] | 0.16 | 0.25 | 0.4 | 0.63 | 1 | 1.6 | 2.5 | 4 | 6 | 8 | 10 | 13 | 17 | 22 | 26 | 32 | 40 |
|--|--------|------|------|------|------|-----------|-----------|------|-----------|---------|-----|-------|-----|-------|-----|------|------|------|
| 三相电动机的通断 | | | | | | | | | | | | | | | | | | |
| AC-2, AC-3 | | | | | | | | | | | | | | | | | | |
| 230/240V | [kW] | - | 0.03 | 0.06 | 0.09 | 0.12 | 0.18/0.25 | 0.37 | 0.55/0.75 | 1.1/1.5 | 1.5 | 2.2/3 | 3 | 3.7/4 | 4 | 5.5 | 7.5 | 7.5 |
| 400/415V | [kW] | 0.02 | 0.06 | 0.09 | 0.12 | 0.18/0.25 | 0.37/0.55 | 0.75 | 1.1/1.5 | 2.2 | 3 | 3.7/4 | 5.5 | 7.5 | 7.5 | 11 | 15 | 18.5 |
| 500V | [kW] | - | - | - | 0.25 | 0.37 | 0.55/0.75 | 1.1 | 1.5/2.2 | 3 | 3.7 | 4/5.5 | 7.5 | 11 | 11 | 15 | 18.5 | 22 |
| 690V | [kW] | - | - | - | 0.25 | 0.37/0.55 | 0.75/1.1 | 1.5 | 2.2/3 | 3.7/4 | 5.5 | 7.5 | 11 | 11 | 15 | 18.5 | 22 | 30 |
| 备用熔断器 gG, gL, only if Icc>Icu (* = 无备用熔断器) | | | | | | | | | | | | | | | | | | |
| 230/240V | [A] | * | * | * | * | * | * | * | * | * | * | * | * | * | * | * | * | * |
| 400/415V | [A] | * | * | * | * | * | * | * | * | * | * | * | 100 | 125 | 125 | 125 | 160 | 160 |
| 440/460V | [A] | * | * | * | * | * | * | * | * | 80 | 80 | 80 | 80 | 100 | 100 | 100 | 125 | 125 |
| 500V | [A] | * | * | * | * | * | * | * | * | 63 | 80 | 80 | 80 | 80 | 80 | 80 | 100 | 100 |
| 690V | [A] | * | * | * | * | * | * | 35 | 40 | 50 | 63 | 63 | 63 | 63 | 63 | 63 | 80 | 80 |
| 极限短路分断能力Icu | | | | | | | | | | | | | | | | | | |
| 230/240V | [kA] | 100 | 100 | 100 | 100 | 100 | 100 | 100 | 100 | 100 | 100 | 100 | 100 | 100 | 100 | 100 | 100 | 100 |
| 400/415V | [kA] | 100 | 100 | 100 | 100 | 100 | 100 | 100 | 100 | 100 | 100 | 100 | 100 | 50 | 50 | 50 | 40 | 40 |
| 440/460V | [kA] | 100 | 100 | 100 | 100 | 100 | 100 | 100 | 100 | 100 | 50 | 50 | 50 | 20 | 20 | 20 | 15 | 15 |
| 500V | [kA] | 100 | 100 | 100 | 100 | 100 | 100 | 100 | 100 | 100 | 50 | 50 | 42 | 10 | 10 | 10 | 8 | 8 |
| 690V | [kA] | 100 | 100 | 100 | 100 | 100 | 100 | 8 | 8 | 6 | 6 | 6 | 6 | 4 | 4 | 4 | 3 | 3 |
| 额定运行短路分断能力Ics | | | | | | | | | | | | | | | | | | |
| 230/240V | [kA] | 100 | 100 | 100 | 100 | 100 | 100 | 100 | 100 | 100 | 100 | 100 | 100 | 100 | 100 | 100 | 100 | 100 |
| 400/415V | [kA] | 100 | 100 | 100 | 100 | 100 | 100 | 100 | 100 | 100 | 100 | 100 | 100 | 38 | 38 | 38 | 38 | 30 |
| 440/460V | [kA] | 100 | 100 | 100 | 100 | 100 | 100 | 100 | 100 | 100 | 38 | 38 | 38 | 15 | 15 | 15 | 15 | 11 |
| 500V | [kA] | 100 | 100 | 100 | 100 | 100 | 100 | 100 | 100 | 100 | 38 | 38 | 32 | 8 | 8 | 8 | 8 | 6 |
| 690V | [kA] | 100 | 100 | 100 | 100 | 100 | 100 | 8 | 8 | 6 | 6 | 6 | 6 | 4 | 4 | 4 | 4 | 3 |

注) * = 当启动器可以分断50~100kA时, 可不需要备用熔断器。



• MMS 100H

| 额定电流 | le [A] | 17 | 22 | 26 | 32 | 40 | 50 | 63 | 75 | 90 | 100 |
|--|--------|-------|-----|------|------|------|-----|-----|-----|-----|-----|
| 三相电动机的通断 | | | | | | | | | | | |
| AC-2, AC-3 | | | | | | | | | | | |
| 230/240V | [kW] | 3.7/4 | 4 | 5.5 | 7.5 | 7.5 | 11 | 15 | 22 | 30 | 30 |
| 400/415V | [kW] | 7.5 | 7.5 | 11 | 15 | 18.5 | 22 | 30 | 37 | 45 | 45 |
| 500V | [kW] | 11 | 11 | 15 | 18.5 | 22 | 30 | 37 | 45 | 55 | 63 |
| 690V | [kW] | 11 | 15 | 18.5 | 22 | 30 | 45 | 55 | 63 | 75 | 90 |
| 备用熔断器 gG, gL, only if Icc>Icu (* = 无备用熔断器) | | | | | | | | | | | |
| 230/240V | [A] | * | * | * | * | * | * | * | * | * | * |
| 400/415V | [A] | * | * | * | * | * | * | * | * | * | * |
| 440/460V | [A] | 125 | 125 | 125 | 160 | 160 | 160 | 200 | 200 | 200 | 200 |
| 500V | [A] | 100 | 125 | 125 | 125 | 160 | 160 | 160 | 160 | 160 | 160 |
| 690V | [A] | 80 | 80 | 80 | 80 | 80 | 100 | 100 | 125 | 160 | 160 |
| 极限短路分断能力Icu | | | | | | | | | | | |
| 230/240V | [kA] | 100 | 100 | 100 | 100 | 100 | 100 | 100 | 100 | 100 | 100 |
| 400/415V | [kA] | 100 | 100 | 100 | 100 | 100 | 100 | 100 | 75 | 75 | 75 |
| 440/460V | [kA] | 50 | 50 | 50 | 50 | 50 | 50 | 50 | 50 | 50 | 50 |
| 500V | [kA] | 35 | 35 | 35 | 25 | 20 | 15 | 15 | 12 | 12 | 12 |
| 690V | [kA] | 12 | 12 | 12 | 12 | 12 | 10 | 8 | 6 | 6 | 6 |
| 额定运行短路分断能力Ics | | | | | | | | | | | |
| 230/240V | [kA] | 100 | 100 | 100 | 100 | 100 | 100 | 100 | 100 | 100 | 100 |
| 400/415V | [kA] | 100 | 50 | 50 | 50 | 50 | 50 | 50 | 50 | 50 | 50 |
| 440/460V | [kA] | 38 | 38 | 38 | 38 | 38 | 38 | 38 | 38 | 38 | 38 |
| 500V | [kA] | 27 | 27 | 27 | 19 | 15 | 11 | 11 | 9 | 9 | 9 |
| 690V | [kA] | 9 | 9 | 9 | 9 | 9 | 8 | 6 | 6 | 6 | 6 |

注) * = 当启动器可以分断50~100kA时, 可不需要备用熔断器。

IEC性能参数(马达保护)

手动马达启动器(UL508, CSA C22.2)

高分断型

• MMS 32HI

Table with columns for rated current (le [A]) and various motor protection parameters (kA) for MMS 32HI series.

• MMS 63HI

Table with columns for rated current (le [A]) and various motor protection parameters (kA) for MMS 63HI series.

• MMS 100HI

Table with columns for rated current (le [A]) and various motor protection parameters (kA) for MMS 100HI series.

组合马达控制器

- 组合启动器
- E型启动器

• MMS 32S

Table with columns for rated current (le [A]) and various motor protection parameters (kA) for MMS 32S series.

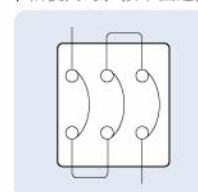
• MMS 63S

Table with columns for rated current (le [A]) and various motor protection parameters (kA) for MMS 63S series.

• MMS 100S

Table with columns for rated current (le [A]) and various motor protection parameters (kA) for MMS 100S series.

单相使用时，按下图连接



手动马达启动器(UL508, CSA C22.2)

组合马达控制器
- 组合启动器
- E型启动器

• MMS 32H

| 额定电流 | le [A] | 0.16 | 0.25 | 0.4 | 0.63 | 1 | 1.6 | 2.5 | 4 | 6 | 8 | 10 | 13 | 17 | 22 | 26 | 32 | 40 | |
|----------------|-----------|------|------|-----|------|-----|------|-------|-----|-------|-----|-------|-------|-----|-------|-------|-------|-------|-----|
| 最大短路电流 | | | | | | | | | | | | | | | | | | | |
| 240V | [kA] | 100 | 100 | 100 | 100 | 100 | 100 | 100 | 100 | 100 | 100 | 100 | 100 | 100 | 100 | 100 | 100 | 100 | 100 |
| 480V | [kA] | 65 | 65 | 65 | 65 | 65 | 65 | 65 | 65 | 65 | 65 | 65 | 65 | 30 | 30 | 30 | 30 | 30 | 30 |
| 600V | [kA] | 25 | 25 | 25 | 25 | 25 | 25 | 25 | 25 | 25 | 25 | 25 | 25 | 10 | 10 | 10 | 10 | 10 | 10 |
| 电动机负载 | | | | | | | | | | | | | | | | | | | |
| 单相 | 115V [HP] | - | - | - | - | - | - | - | 1/8 | 1/4 | 1/3 | 1/2 | 1/2 | 1 | 1 1/2 | 2 | 2 | 3 | |
| | 230V [HP] | - | - | - | - | - | 1/10 | 1/6 | 1/3 | 1/2 | 1 | 1 1/2 | 2 | 3 | 3 | 3 | 5 | 7 1/2 | |
| 3相 | 200V [HP] | - | - | - | - | - | - | 1/2 | 3/4 | 1 | 2 | 2 | 3 | 3 | 5 | 7 1/2 | 7 1/2 | 10 | |
| | 230V [HP] | - | - | - | - | - | - | 1/2 | 3/4 | 1 1/2 | 2 | 3 | 3 | 5 | 7 1/2 | 7 1/2 | 10 | 10 | |
| | 460V [HP] | - | - | - | - | - | 3/4 | 1 | 2 | 3 | 5 | 5 | 7 1/2 | 10 | 15 | 15 | 20 | 30 | |
| | 575V [HP] | - | - | - | - | 1/2 | 3/4 | 1 1/2 | 3 | 5 | 5 | 7 1/2 | 10 | 15 | 20 | 20 | 30 | 30 | |
| 熔断器或断路器的最大额定电流 | | [A] | 500 | 500 | 500 | 500 | 500 | 500 | 500 | 500 | 500 | 500 | 500 | 500 | 500 | 500 | 500 | 500 | 500 |

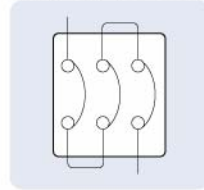
• MMS 63H

| 额定电流 | le [A] | 10 | 13 | 17 | 22 | 26 | 32 | 40 | 50 | 63 | 65 |
|----------------|-----------|-------|-------|-----|-------|-------|-------|-------|-----|-----|-----|
| 最大短路电流 | | | | | | | | | | | |
| 240V | [kA] | 100 | 100 | 100 | 100 | 100 | 100 | 100 | 100 | 100 | 100 |
| 480V | [kA] | 65 | 65 | 50 | 50 | 50 | 50 | 50 | 50 | 50 | 50 |
| 600V | [kA] | 25 | 25 | 10 | 10 | 10 | 10 | 10 | 10 | 10 | 10 |
| 电动机负载 | | | | | | | | | | | |
| 单相 | 115V [HP] | 1/2 | 1/2 | 1 | 1 1/2 | 2 | 2 | 3 | 3 | 5 | 5 |
| | 230V [HP] | 1 1/2 | 2 | 3 | 3 | 3 | 5 | 7 1/2 | 10 | 10 | 10 |
| 3相 | 200V [HP] | 2 | 3 | 3 | 5 | 7 1/2 | 7 1/2 | 10 | 15 | 20 | 20 |
| | 230V [HP] | 3 | 3 | 5 | 7 1/2 | 7 1/2 | 10 | 10 | 15 | 20 | 20 |
| | 460V [HP] | 5 | 7 1/2 | 10 | 15 | 15 | 20 | 30 | 30 | 40 | 40 |
| | 575V [HP] | 7 1/2 | 10 | 15 | 20 | 20 | 30 | 30 | 40 | 60 | 60 |
| 熔断器或断路器的最大额定电流 | | [A] | 600 | 600 | 600 | 600 | 600 | 600 | 600 | 600 | 600 |

• MMS 100H

| 额定电流 | le [A] | 17 | 22 | 26 | 32 | 40 | 50 | 63 | 75 | 90 | 100 |
|----------------|-----------|-----|-------|-------|-------|-------|------|------|------|-------|------|
| 最大短路电流 | | | | | | | | | | | |
| 240V | [kA] | 100 | 100 | 100 | 100 | 100 | 100 | 100 | 100 | 100 | 100 |
| 480V | [kA] | 65 | 65 | 65 | 65 | 65 | 65 | 50 | 50 | 50 | 50 |
| 600V | [kA] | 25 | 25 | 25 | 20 | 20 | 20 | 10 | 10 | 10 | 10 |
| 电动机负载 | | | | | | | | | | | |
| 单相 | 115V [HP] | 1 | 1 1/2 | 2 | 2 | 3 | 3 | 5 | 5 | 7 1/2 | 10 |
| | 230V [HP] | 3 | 3 | 3 | 5 | 7 1/2 | 10 | 10 | 15 | 20 | 20 |
| 3相 | 200V [HP] | 3 | 5 | 7 1/2 | 7 1/2 | 10 | 15 | 20 | 20 | 25 | 30 |
| | 230V [HP] | 5 | 7 1/2 | 7 1/2 | 10 | 10 | 15 | 20 | 25 | 30 | 30 |
| | 460V [HP] | 10 | 15 | 15 | 20 | 30 | 30 | 40 | 50 | 60 | 70 |
| | 575V [HP] | 15 | 20 | 20 | 30 | 30 | 40 | 60 | 60 | 75 | 100 |
| 熔断器或断路器的最大额定电流 | | [A] | 1000 | 1000 | 1000 | 1000 | 1000 | 1000 | 1000 | 1000 | 1000 |

单相使用时，按下图连接



手动马达启动器(UL508)

• MMS 32S

| 额定电流 | le [A] | 0.16 | 0.25 | 0.4 | 0.63 | 1 | 1.6 | 2.5 | 4 | 6 | 8 | 10 | 13 | 17 | 22 | 26 | 32 | 40 | | |
|----------|-----------|------|------|-----|------|-----|------|-------|-----|-------|-----|-------|-------|----|-------|-------|-------|-------|-----|-----|
| 最大短路电流 | | | | | | | | | | | | | | | | | | | | |
| 240V | [kA] | 100 | 100 | 100 | 100 | 100 | 100 | 100 | 100 | 100 | 100 | 50 | 50 | 40 | 30 | 30 | 20 | 20 | | |
| 480V | [kA] | 50 | 50 | 50 | 50 | 50 | 50 | 50 | 50 | 25 | 25 | 10 | 10 | 10 | 10 | 7.5 | 7.5 | 7.5 | | |
| 600V | [kA] | 10 | 10 | 10 | 10 | 10 | 10 | 10 | 5 | 5 | 5 | 5 | 5 | 5 | 5 | 5 | 5 | 5 | | |
| 电动机负载 | | | | | | | | | | | | | | | | | | | | |
| 单相 | 115V [HP] | - | - | - | - | - | - | - | 1/8 | 1/4 | 1/3 | 1/2 | 1/2 | 1 | 1 1/2 | 2 | 2 | 3 | | |
| | 230V [HP] | - | - | - | - | - | 1/10 | 1/6 | 1/3 | 1/2 | 1 | 1 1/2 | 2 | 3 | 3 | 3 | 5 | 7 1/2 | | |
| 3相 | 200V [HP] | - | - | - | - | - | - | 1/2 | 3/4 | 1 | 2 | 2 | 3 | 3 | 5 | 7 1/2 | 7 1/2 | 10 | | |
| | 230V [HP] | - | - | - | - | - | - | 1/2 | 3/4 | 1 1/2 | 2 | 3 | 3 | 5 | 7 1/2 | 7 1/2 | 10 | 10 | | |
| | 460V [HP] | - | - | - | - | - | 3/4 | 1 | 2 | 3 | 5 | 5 | 7 1/2 | 10 | 15 | 15 | 20 | 30 | | |
| | 575V [HP] | - | - | - | - | 1/2 | 3/4 | 1 1/2 | 3 | 5 | 5 | 7 1/2 | 10 | 15 | 20 | 20 | 30 | 30 | | |
| 熔断器电流参考值 | | [A] | 1 | 1 | 1 | 1 | 3 | 6 | 10 | 15 | 20 | 30 | 40 | 50 | 60 | 80 | 100 | 125 | 150 | |
| 断路器电流参考值 | | [A] | 15 | 15 | 15 | 15 | 15 | 15 | 15 | 15 | 15 | 20 | 30 | 40 | 50 | 60 | 80 | 100 | 125 | 150 |

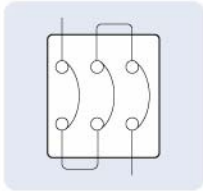
• MMS 63S

| 额定电流 | le [A] | 10 | 13 | 17 | 22 | 26 | 32 | 40 | 50 | 63 | 65 |
|----------|-----------|-------|-------|-----|-------|-------|-------|-------|-----|-----|-----|
| 最大短路电流 | | | | | | | | | | | |
| 240V | [kA] | 100 | 100 | 100 | 100 | 100 | 100 | 100 | 100 | 100 | 100 |
| 480V | [kA] | 25 | 25 | 25 | 25 | 25 | 25 | 25 | 25 | 25 | 25 |
| 600V | [kA] | 10 | 10 | 10 | 10 | 10 | 10 | 10 | 10 | 10 | 10 |
| 电动机负载 | | | | | | | | | | | |
| 单相 | 115V [HP] | 1/2 | 1/2 | 1 | 1 1/2 | 2 | 2 | 3 | 3 | 5 | 5 |
| | 230V [HP] | 1 1/2 | 2 | 3 | 3 | 3 | 5 | 7 1/2 | 10 | 10 | 10 |
| 3相 | 200V [HP] | 2 | 3 | 3 | 5 | 7 1/2 | 7 1/2 | 10 | 15 | 20 | 20 |
| | 230V [HP] | 3 | 3 | 5 | 7 1/2 | 7 1/2 | 10 | 10 | 15 | 20 | 20 |
| | 460V [HP] | 5 | 7 1/2 | 10 | 15 | 15 | 20 | 30 | 30 | 40 | 40 |
| | 575V [HP] | 7 1/2 | 10 | 15 | 20 | 20 | 30 | 30 | 40 | 60 | 60 |
| 熔断器电流参考值 | | [A] | 40 | 50 | 60 | 80 | 100 | 125 | 150 | 200 | 250 |
| 断路器电流参考值 | | [A] | 40 | 50 | 60 | 80 | 100 | 125 | 150 | 200 | 250 |

• MMS 100S

| 额定电流 | le [A] | 17 | 22 | 26 | 32 | 40 | 50 | 63 | 75 | 90 | 100 | |
|----------|-----------|-----|-------|-------|-------|-------|-----|-----|-----|-------|-----|-----|
| 最大短路电流 | | | | | | | | | | | | |
| 240V | [kA] | 100 | 100 | 100 | 100 | 100 | 100 | 100 | 100 | 100 | 100 | |
| 480V | [kA] | 25 | 25 | 25 | 25 | 25 | 25 | 25 | 25 | 25 | 25 | |
| 600V | [kA] | 10 | 10 | 10 | 10 | 10 | 10 | 10 | 10 | 10 | 10 | |
| 电动机负载 | | | | | | | | | | | | |
| 单相 | 115V [HP] | 1 | 1 1/2 | 2 | 2 | 3 | 3 | 5 | 5 | 7 1/2 | 10 | |
| | 230V [HP] | 3 | 3 | 3 | 5 | 7 1/2 | 10 | 10 | 15 | 20 | 20 | |
| 3相 | 200V [HP] | 3 | 5 | 7 1/2 | 7 1/2 | 10 | 15 | 20 | 20 | 25 | 30 | |
| | 230V [HP] | 5 | 7 1/2 | 7 1/2 | 10 | 10 | 15 | 20 | 25 | 30 | 30 | |
| | 460V [HP] | 10 | 15 | 15 | 20 | 30 | 30 | 40 | 50 | 60 | 75 | |
| | 575V [HP] | 15 | 20 | 20 | 30 | 30 | 40 | 60 | 60 | 75 | 100 | |
| 熔断器电流参考值 | | [A] | 60 | 80 | 100 | 125 | 150 | 200 | 250 | 300 | 350 | 400 |
| 断路器电流参考值 | | [A] | 60 | 80 | 100 | 125 | 150 | 200 | 250 | 300 | 350 | 400 |

单相使用时，按下图连接



手动马达启动器(UL508)

'2'型协调配合保护(IEC 947-4-1)

• MMS 32H

| 额定电流 | le [A] | 0.16 | 0.25 | 0.4 | 0.63 | 1 | 1.6 | 2.5 | 4 | 6 | 8 | 10 | 13 | 17 | 22 | 26 | 32 | 40 | | |
|----------|--------|------|------|-----|------|-----|-----|------|-----|-------|-------|-----|-------|-------|-------|-------|-------|-------|-----|-----|
| 最大短路电流 | | | | | | | | | | | | | | | | | | | | |
| 240V | [kA] | 100 | 100 | 100 | 100 | 100 | 100 | 100 | 100 | 100 | 100 | 100 | 100 | 100 | 100 | 100 | 100 | 100 | 100 | |
| 480V | [kA] | 50 | 50 | 50 | 50 | 50 | 50 | 50 | 50 | 50 | 50 | 50 | 50 | 30 | 30 | 30 | 30 | 30 | 30 | |
| 600V | [kA] | 10 | 10 | 10 | 10 | 10 | 10 | 10 | 10 | 10 | 10 | 10 | 10 | 10 | 10 | 10 | 10 | 10 | 10 | |
| 电动机负载 | | | | | | | | | | | | | | | | | | | | |
| 单相 | | 115V | [HP] | - | - | - | - | - | 1/8 | 1/4 | 1/3 | 1/2 | 1/2 | 1 | 1 1/2 | 2 | 2 | 3 | | |
| | | 230V | [HP] | - | - | - | - | 1/10 | 1/6 | 1/3 | 1/2 | 1 | 1 1/2 | 2 | 3 | 3 | 5 | 7 1/2 | | |
| 3相 | | 200V | [HP] | - | - | - | - | - | 1/2 | 3/4 | 1 | 2 | 2 | 3 | 3 | 5 | 7 1/2 | 7 1/2 | 10 | |
| | | 230V | [HP] | - | - | - | - | - | 1/2 | 3/4 | 1 1/2 | 2 | 3 | 3 | 5 | 7 1/2 | 7 1/2 | 10 | 10 | |
| | | 460V | [HP] | - | - | - | - | - | 3/4 | 1 | 2 | 3 | 3 | 5 | 5 | 7 1/2 | 10 | 15 | 20 | 30 |
| | | 575V | [HP] | - | - | - | - | 1/2 | 3/4 | 1 1/2 | 3 | 5 | 5 | 7 1/2 | 10 | 15 | 20 | 30 | 30 | |
| 熔断器电流参考值 | | | [A] | 1 | 1 | 1 | 1 | 3 | 6 | 10 | 15 | 20 | 30 | 40 | 50 | 60 | 80 | 100 | 125 | 150 |
| 断路器电流参考值 | | | [A] | 15 | 15 | 15 | 15 | 15 | 15 | 15 | 20 | 30 | 40 | 50 | 60 | 80 | 100 | 125 | 150 | |

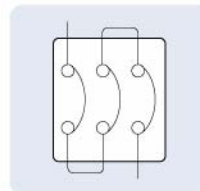
• MMS 63H

| 额定电流 | le [A] | 10 | 13 | 17 | 22 | 26 | 32 | 40 | 50 | 63 | 65 | | |
|----------|--------|------|------|-------|-------|-----|-------|-------|-------|-------|-----|-----|-----|
| 最大短路电流 | | | | | | | | | | | | | |
| 240V | [kA] | 100 | 100 | 100 | 100 | 100 | 100 | 100 | 100 | 100 | 100 | | |
| 480V | [kA] | 50 | 50 | 50 | 50 | 50 | 50 | 50 | 50 | 50 | 50 | | |
| 600V | [kA] | 10 | 10 | 10 | 10 | 10 | 10 | 10 | 10 | 10 | 10 | | |
| 电动机负载 | | | | | | | | | | | | | |
| 单相 | | 115V | [HP] | 1/2 | 1/2 | 1 | 1 1/2 | 2 | 2 | 3 | 3 | 5 | 5 |
| | | 230V | [HP] | 1 1/2 | 2 | 3 | 3 | 3 | 5 | 7 1/2 | 10 | 10 | 10 |
| 3相 | | 200V | [HP] | 2 | 3 | 3 | 5 | 7 1/2 | 7 1/2 | 10 | 15 | 20 | 20 |
| | | 230V | [HP] | 3 | 3 | 5 | 7 1/2 | 7 1/2 | 10 | 10 | 15 | 20 | 20 |
| | | 460V | [HP] | 5 | 7 1/2 | 10 | 15 | 15 | 20 | 30 | 30 | 40 | 40 |
| | | 575V | [HP] | 7 1/2 | 10 | 15 | 20 | 20 | 30 | 30 | 40 | 60 | 60 |
| 熔断器电流参考值 | | | [A] | 40 | 50 | 60 | 80 | 100 | 125 | 150 | 200 | 250 | 250 |
| 断路器电流参考值 | | | [A] | 40 | 50 | 60 | 80 | 100 | 125 | 150 | 200 | 250 | 250 |

• MMS 100H

| 额定电流 | le [A] | 17 | 22 | 26 | 32 | 40 | 50 | 63 | 75 | 90 | 100 | | |
|----------|--------|------|------|-----|-------|-------|-------|-------|-----|-----|-----|-------|-----|
| 最大短路电流 | | | | | | | | | | | | | |
| 240V | [kA] | 100 | 100 | 100 | 100 | 100 | 100 | 100 | 100 | 100 | 100 | | |
| 480V | [kA] | 50 | 50 | 50 | 50 | 50 | 50 | 50 | 50 | 50 | 50 | | |
| 600V | [kA] | 10 | 10 | 10 | 10 | 10 | 10 | 10 | 10 | 10 | 10 | | |
| 电动机负载 | | | | | | | | | | | | | |
| 单相 | | 115V | [HP] | 1 | 1 1/2 | 2 | 2 | 3 | 3 | 5 | 5 | 7 1/2 | 10 |
| | | 230V | [HP] | 3 | 3 | 3 | 5 | 7 1/2 | 10 | 10 | 15 | 20 | 20 |
| 3相 | | 200V | [HP] | 3 | 5 | 7 1/2 | 7 1/2 | 10 | 15 | 20 | 20 | 25 | 30 |
| | | 230V | [HP] | 5 | 7 1/2 | 7 1/2 | 10 | 10 | 15 | 20 | 25 | 30 | 30 |
| | | 460V | [HP] | 10 | 15 | 15 | 20 | 30 | 30 | 40 | 50 | 60 | 70 |
| | | 575V | [HP] | 15 | 20 | 20 | 30 | 30 | 40 | 60 | 60 | 75 | 100 |
| 熔断器电流参考值 | | | [A] | 60 | 80 | 100 | 125 | 150 | 200 | 250 | 300 | 350 | 400 |
| 断路器电流参考值 | | | [A] | 60 | 80 | 100 | 125 | 150 | 200 | 250 | 300 | 350 | 400 |

单相使用时，按下图连接



• 短路电流 Iq = 50kA

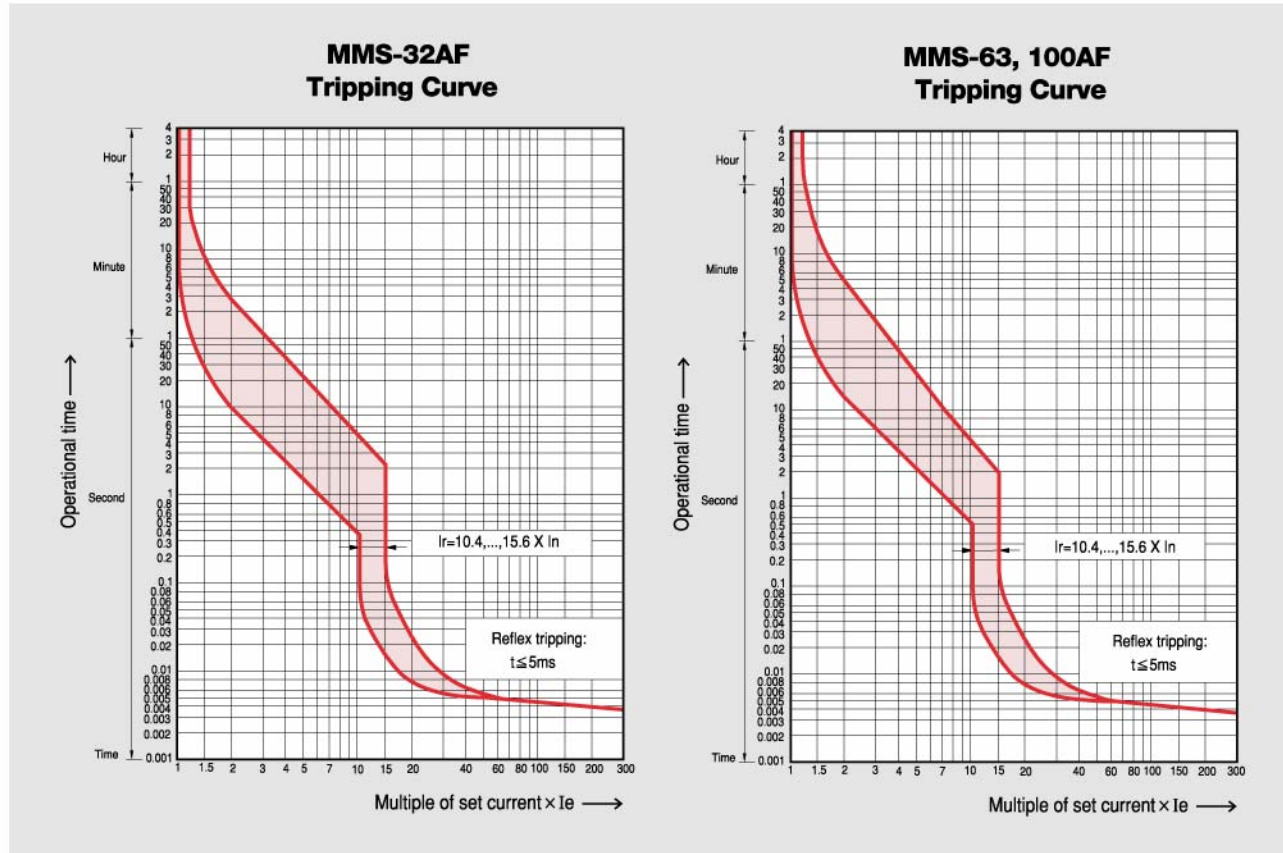
电压：400/415V, 50/60Hz

| 标准电动机 AC-3 在400/415V 1500rpm | | 手动马达启动器 | | | 接触器 | |
|---------------------------------------|------|---------------|----------------------|--------------|----------------|-------|
| [kW] | [A] | 断路器 型号 | 热过载电流 设置范围 [A] | 磁脱扣电流 [A] | 型号 | [A] |
| - | - | MMS-32S 0.16A | 0.1~0.16 | 2.08 | GMC-6M / GMC-9 | 6 / 9 |
| 0.06 | 0.2 | MMS-32S 0.25A | 0.16~0.25 | 3.25 | GMC-6M / GMC-9 | 6 / 9 |
| 0.09 | 0.3 | MMS-32S 0.4A | 0.25~0.4 | 5.2 | GMC-6M / GMC-9 | 6 / 9 |
| 0.12 | 0.4 | MMS-32S 0.63A | 0.4~0.63 | 8.19 | GMC-6M / GMC-9 | 6 / 9 |
| 0.18 | 0.6 | MMS-32S 0.63A | 0.4~0.63 | 8.19 | GMC-6M / GMC-9 | 6 / 9 |
| 0.25 | 0.8 | MMS-32S 1A | 0.63~1 | 13 | GMC-6M / GMC-9 | 6 / 9 |
| 0.37 | 1.1 | MMS-32S 1.6A | 1~1.6 | 20.8 | GMC-6M / GMC-9 | 6 / 9 |
| 0.55 | 1.5 | MMS-32S 1.6A | 1~1.6 | 20.8 | GMC-6M / GMC-9 | 6 / 9 |
| 0.75 | 1.9 | MMS-32S 2.5A | 1.6~2.5 | 32.5 | GMC-12 | 12 |
| 1.1 | 2.7 | MMS-32S 4A | 2.5~4 | 52 | GMC-18 | 18 |
| 1.5 | 3.6 | MMS-32S 4A | 2.5~4 | 52 | GMC-18 | 18 |
| 2.2 | 5.2 | MMS-32S 6A | 4~6 | 78 | GMC-18 | 18 |
| 3 | 6.8 | MMS-32S 8A | 5~8 | 104 | GMC-18 | 18 |
| 4 | 9 | MMS-32S 10A | 6~10 | 130 | GMC-18 | 18 |
| 5.5 | 11.5 | MMS-32H 13A | 9~13 | 169 | GMC-22 | 22 |
| 7.5 | 15.5 | MMS-32H 17A | 11~17 | 221 | GMC-22 | 22 |
| 10 | 20 | MMS-32H 22A | 14~22 | 286 | GMC-32 | 32 |
| 11 | 22 | MMS-32H 26A | 18~26 | 338 | GMC-32 | 32 |
| 15 | 29 | MMS-32H 32A | 22~32 | 416 | GMC-32 | 32 |
| 18.5 | 35 | MMS-63H 40A | 28~40 | 520 | GMC-50 | 50 |
| 22 | 41 | MMS-63H 50A | 34~50 | 650 | GMC-50 | 50 |
| 30 | 55 | MMS-63H 63A | 45~63 | 819 | GMC-65 | 65 |
| 37 | 67 | MMS-100S 75A | 55~75 | 975 | GMC-75 | 75 |
| - | - | MMS-100S 90A | 70~90 | 1170 | GMC-85 | 85 |
| 45 | 80 | MMS-100S 100A | 80~100 | 1300 | GMC-85 | 85 |

依照IEC 947-4-1的'2'型协调配合保护:

- 接触器或启动器在出现短路时不能危及人身或系统。
- 在使用中接触器和启动器需相互配合。
- 除接触器或启动器的焊接触头外，过载脱扣器及其他部件在出现故障时应能够容易的拆开更换（如用螺丝刀）并且无危害。

时间/电流特性



I) 过载脱扣电流:
 过载保护时由反时限延时脱扣器脱扣。
 曲线显示的是在环境温度为20℃时冷态启动时的电流。
 应仔细的测试和设置电流以保证有效的对电动机保护(包括单相电路)。

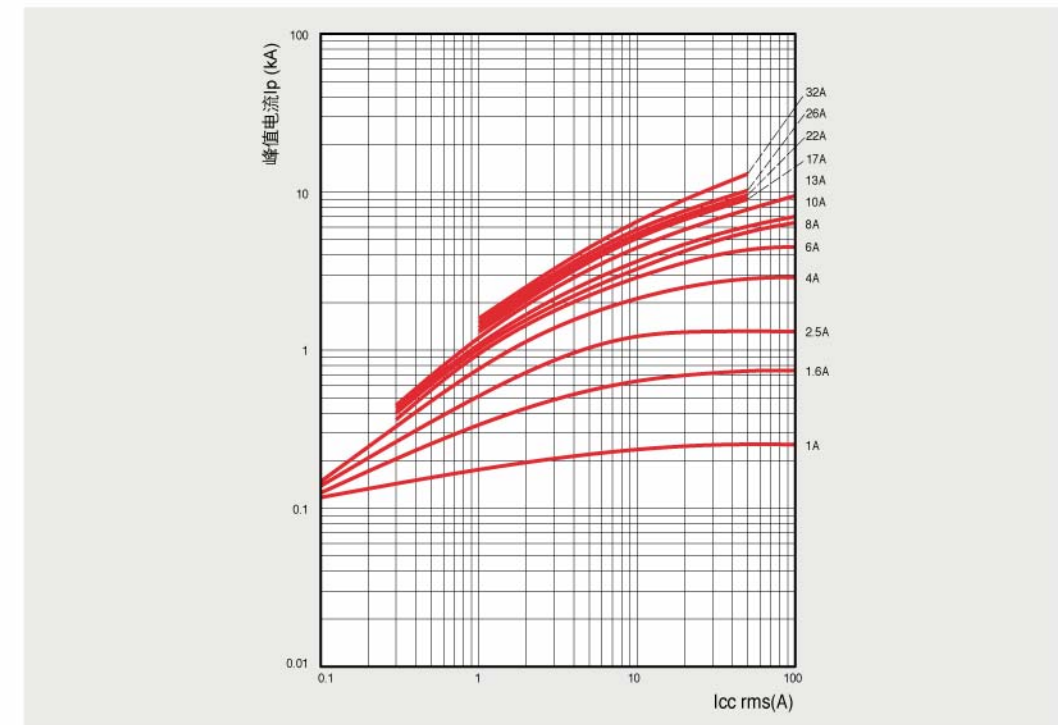
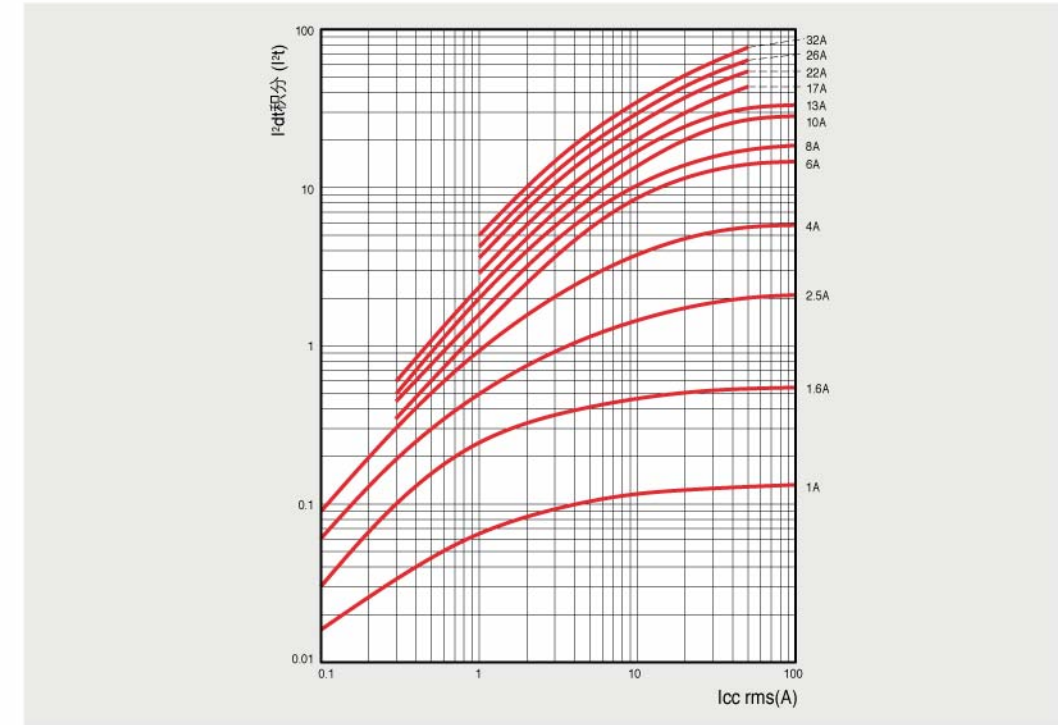
II) 短路脱扣电流:
 短路脱扣电流为固定值。
 其值为13倍设置范围内的最大电流。

Ie电流设置:
 马达启动器的热过载脱扣符合IEC 947-4-1。
 如果环境参数改变(例如高于40℃及海拔超过2000米时),设置电流时要相应的减少保护电动机的额定电流。

MMS短路时的发热限制

磁工作区域的发热限制kA²s(Ue=415V)

• MMS-32S/H/HI

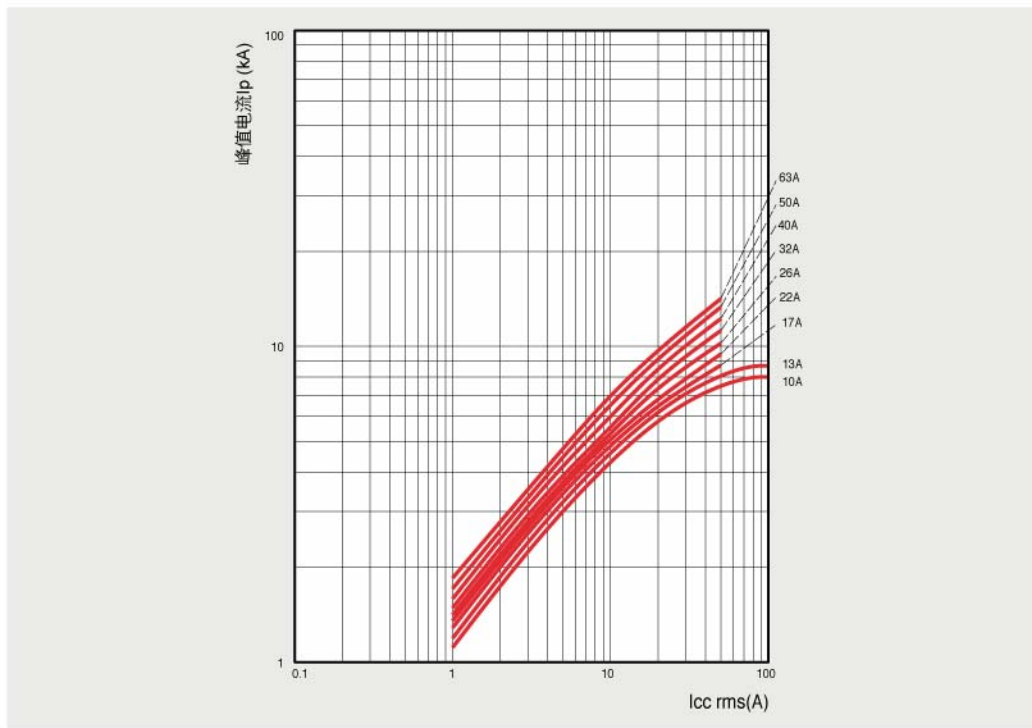
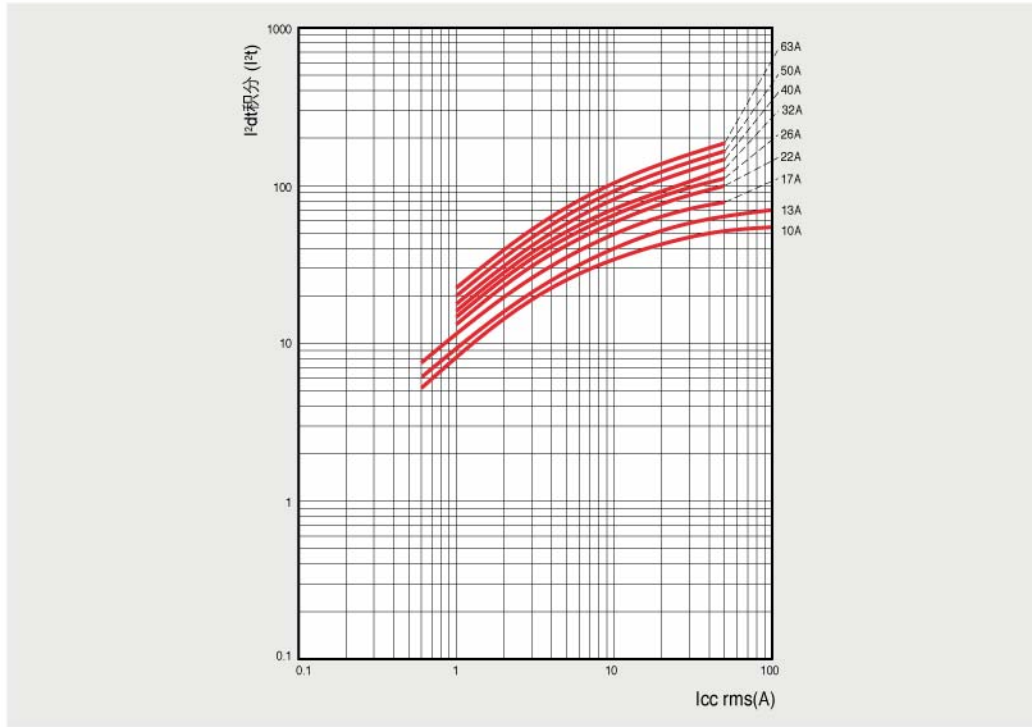


MMS短路时的发热限制

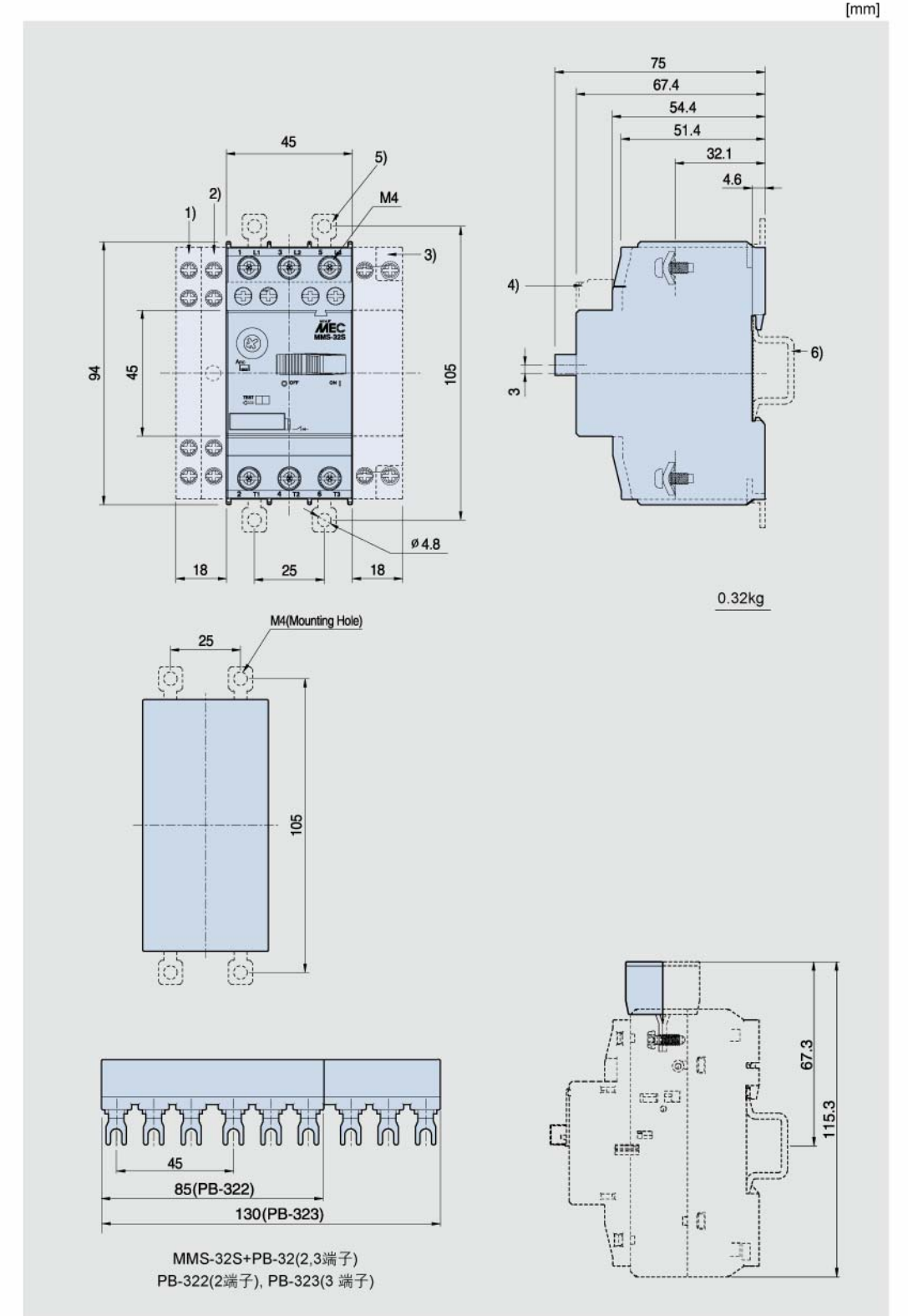
尺寸

磁工作区域的发热限制 $kA^2s(U_e=415V)$

• MMS-63S/H/Hi



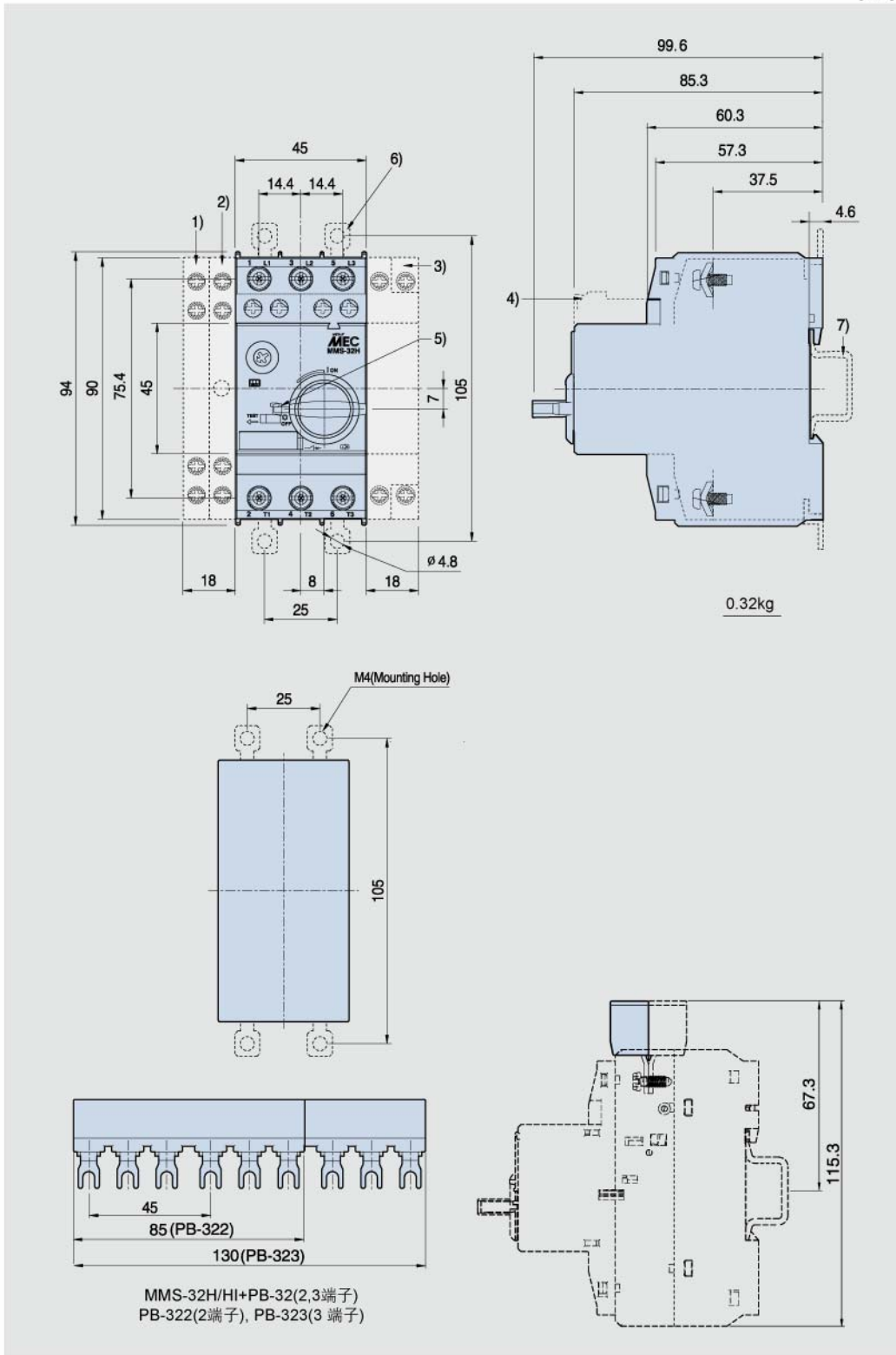
• MMS 32S



尺寸

• MMS 32H, 32HI

[mm]

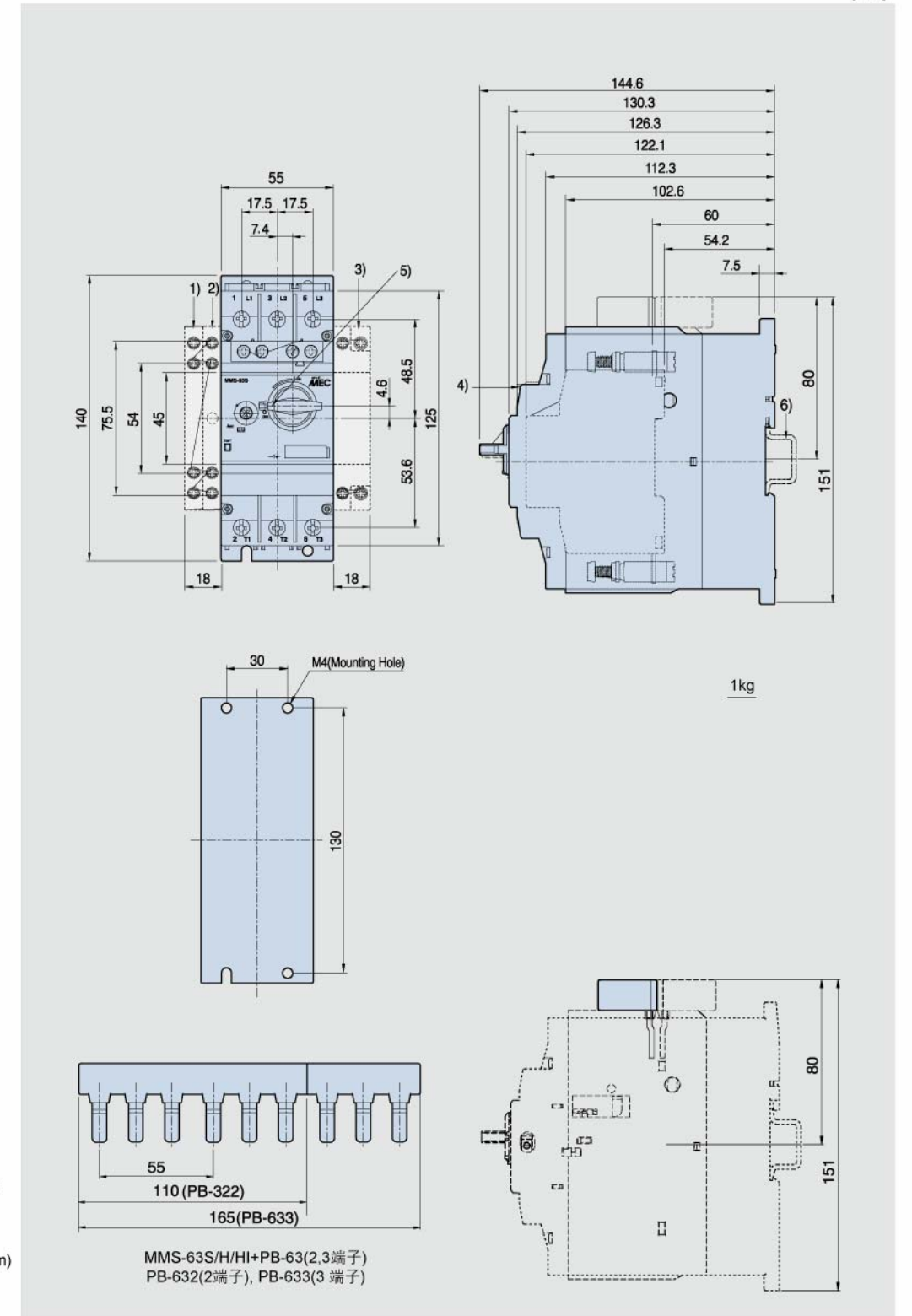


- 1) 侧面安装辅助开关
- 2) 侧面安装报警开关
- 3) 侧面安装分励脱扣器或欠压脱扣器
- 4) 顶部安装辅助开关
- 5) 分断位置手柄锁(5mm)
- 6) 插入式安装端子架
- 7) 35mm标准安装导轨符合EN 50 022

MMS-32H/HI+PB-32(2,3端子)
PB-322(2端子), PB-323(3端子)

• MMS 63S, 63H, 63HI

[mm]



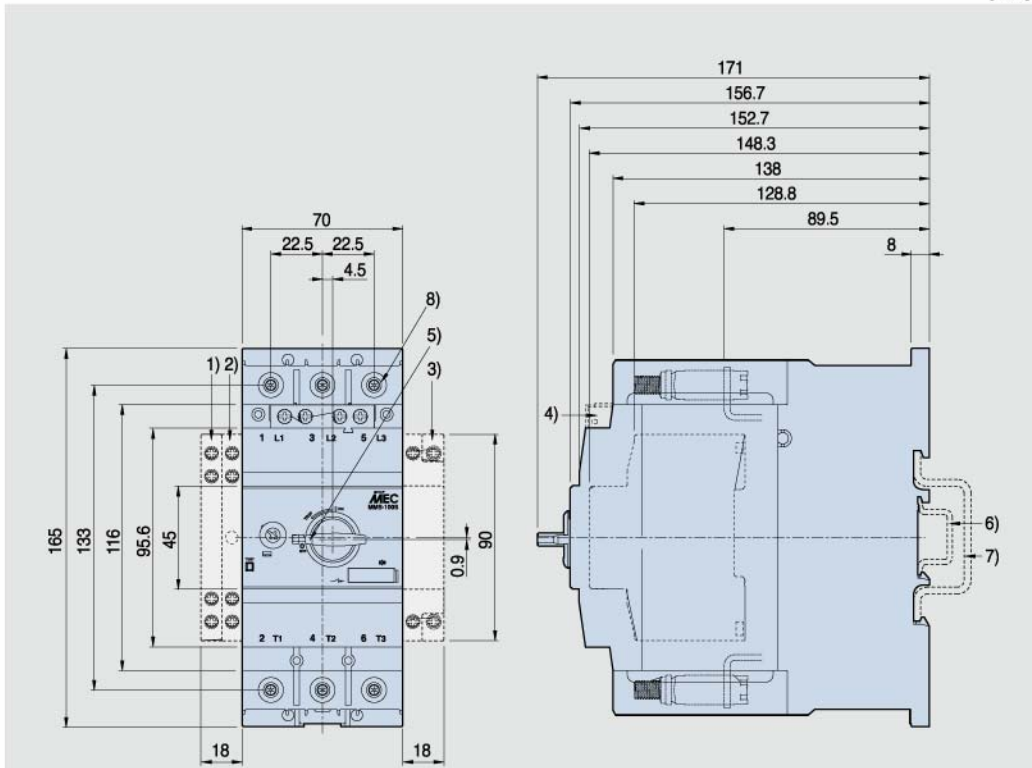
- 1) 侧面安装辅助开关
- 2) 侧面安装报警开关
- 3) 侧面安装分励脱扣器或欠压脱扣器
- 4) 顶部安装辅助开关
- 5) 分断位置手柄锁(5mm)
- 6) 35mm标准安装导轨符合EN 50 022

MMS-63S/H/HI+PB-63(2,3端子)
PB-632(2端子), PB-633(3端子)

尺寸

• MMS 100S, 100H, 100HI

[mm]

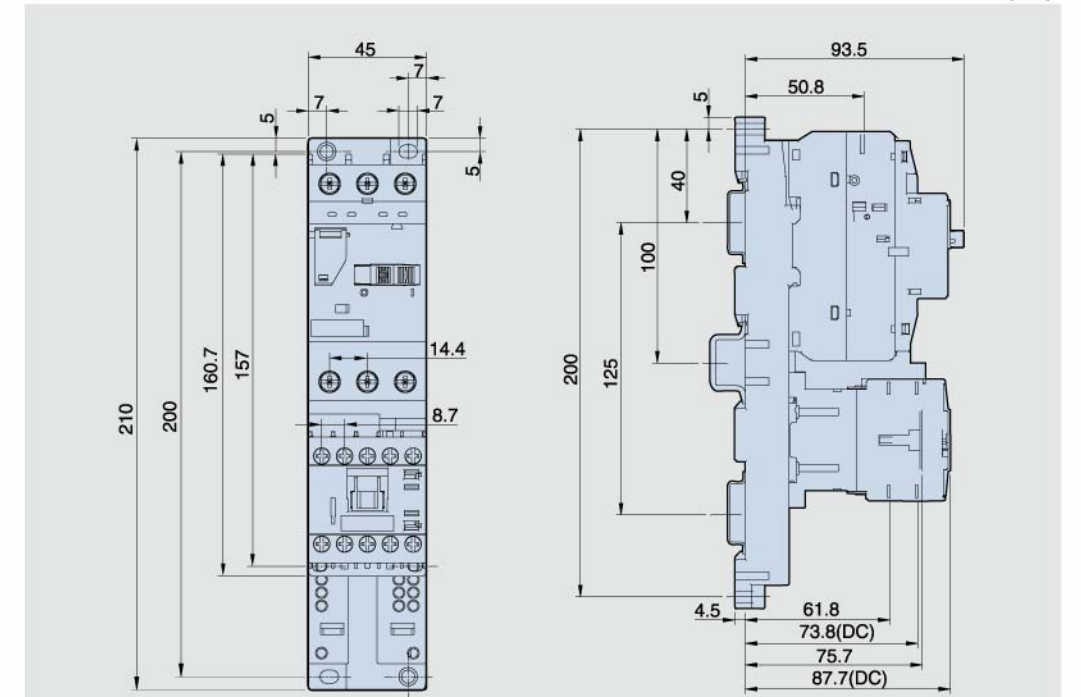


2.2kg

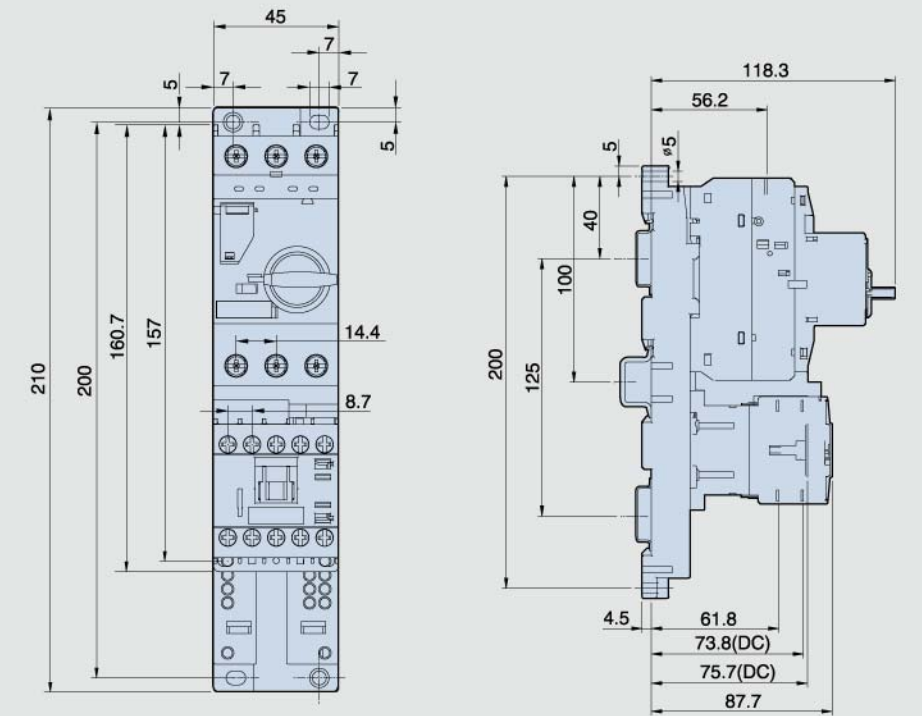
- 1) 侧面安装辅助开关
- 2) 侧面安装报警开关
- 3) 侧面安装分励脱扣器
或欠压脱扣器
- 4) 顶部安装辅助开关
- 5) 分断位置手柄锁(5mm)
- 6) 35mm标准安装导轨
符合EN 50 022
- 7) 75mm标准安装导轨
符合EN 50 023
- 8) 4mm内六角螺钉

• MMS + Mini-MS

[mm]



MMS-32S+GMC(D)-6M-16M

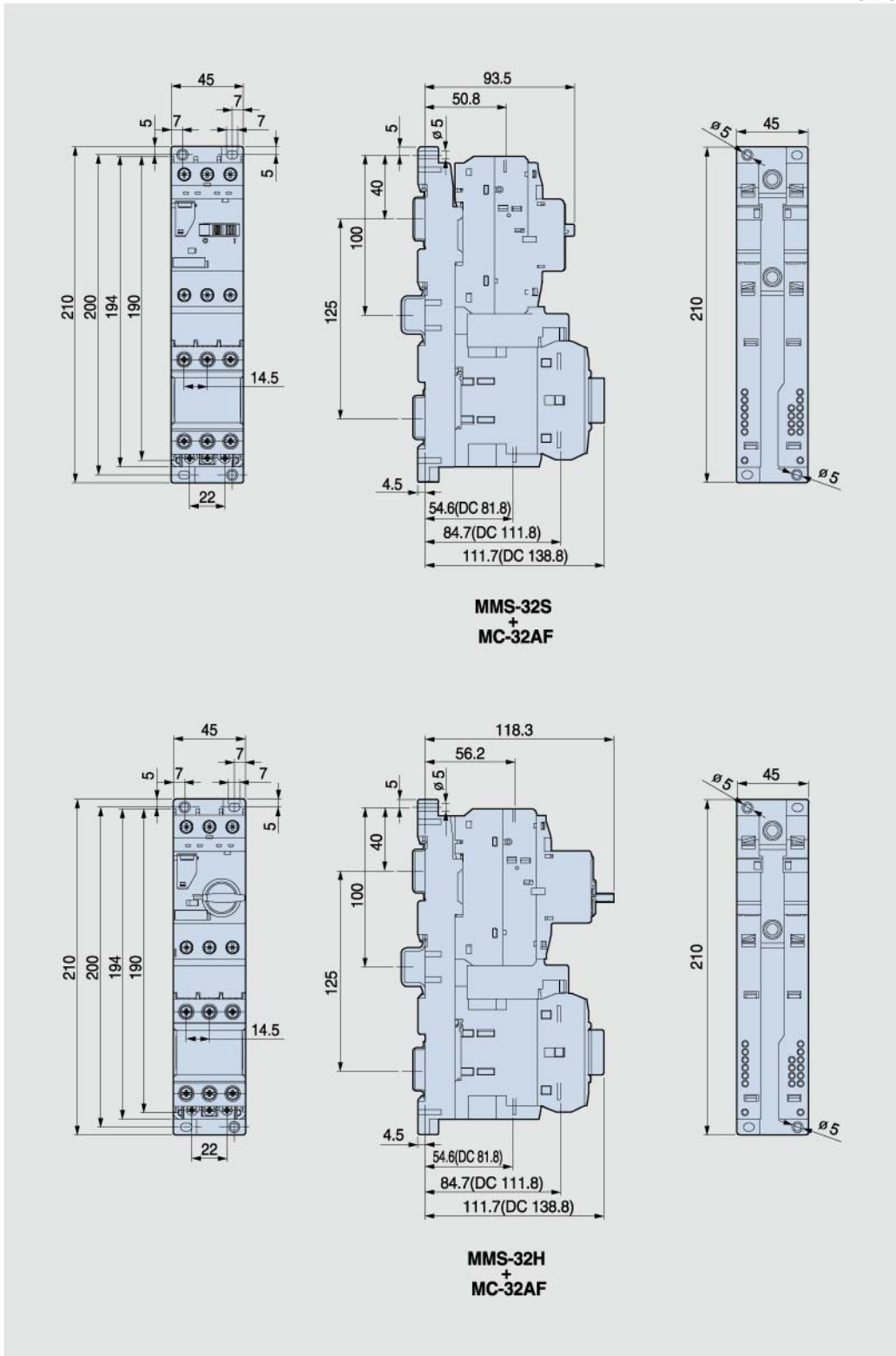


MMS-32H+GMC(D)-6M-16M

尺寸

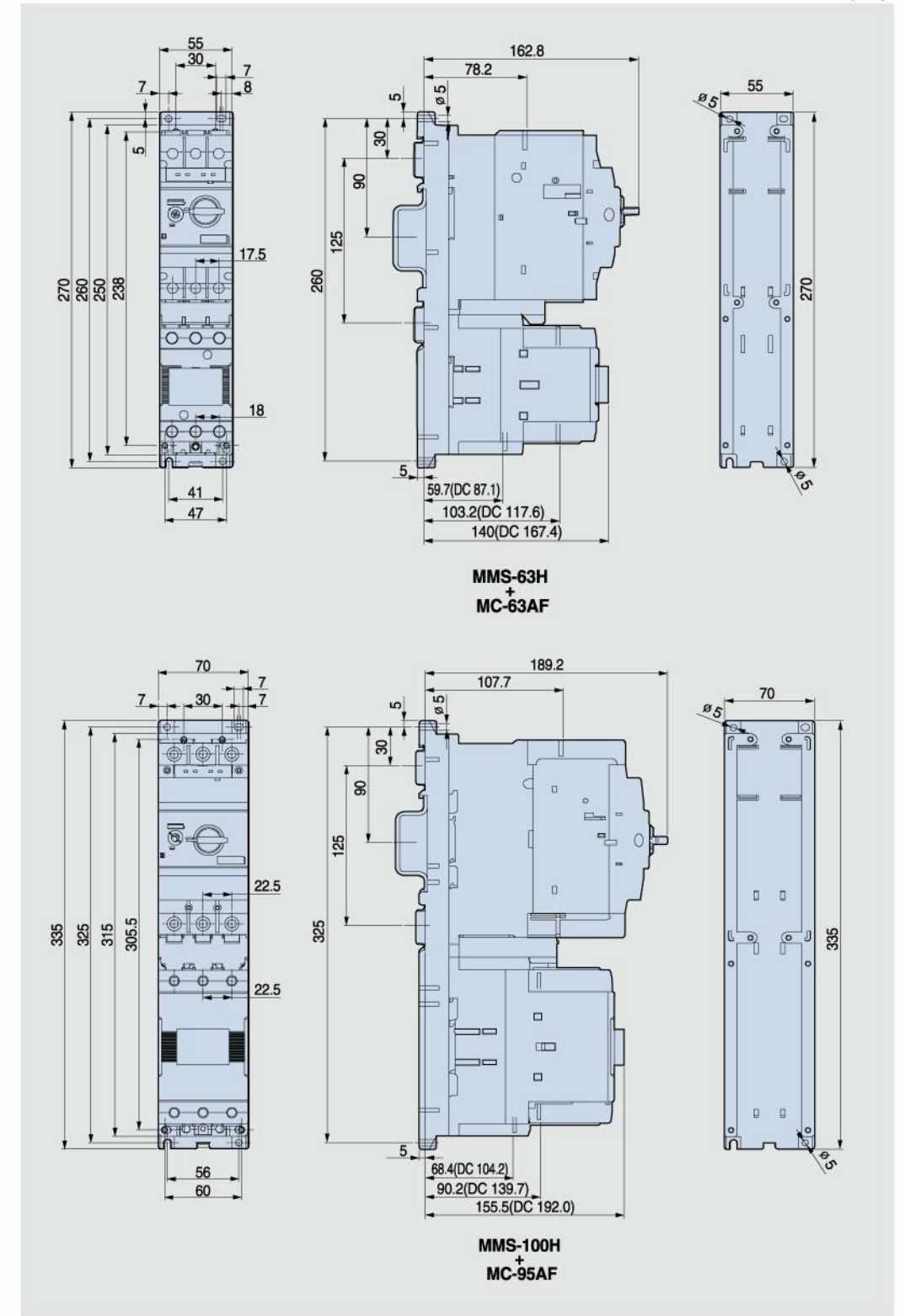
• MMS + Susol MC

[mm]



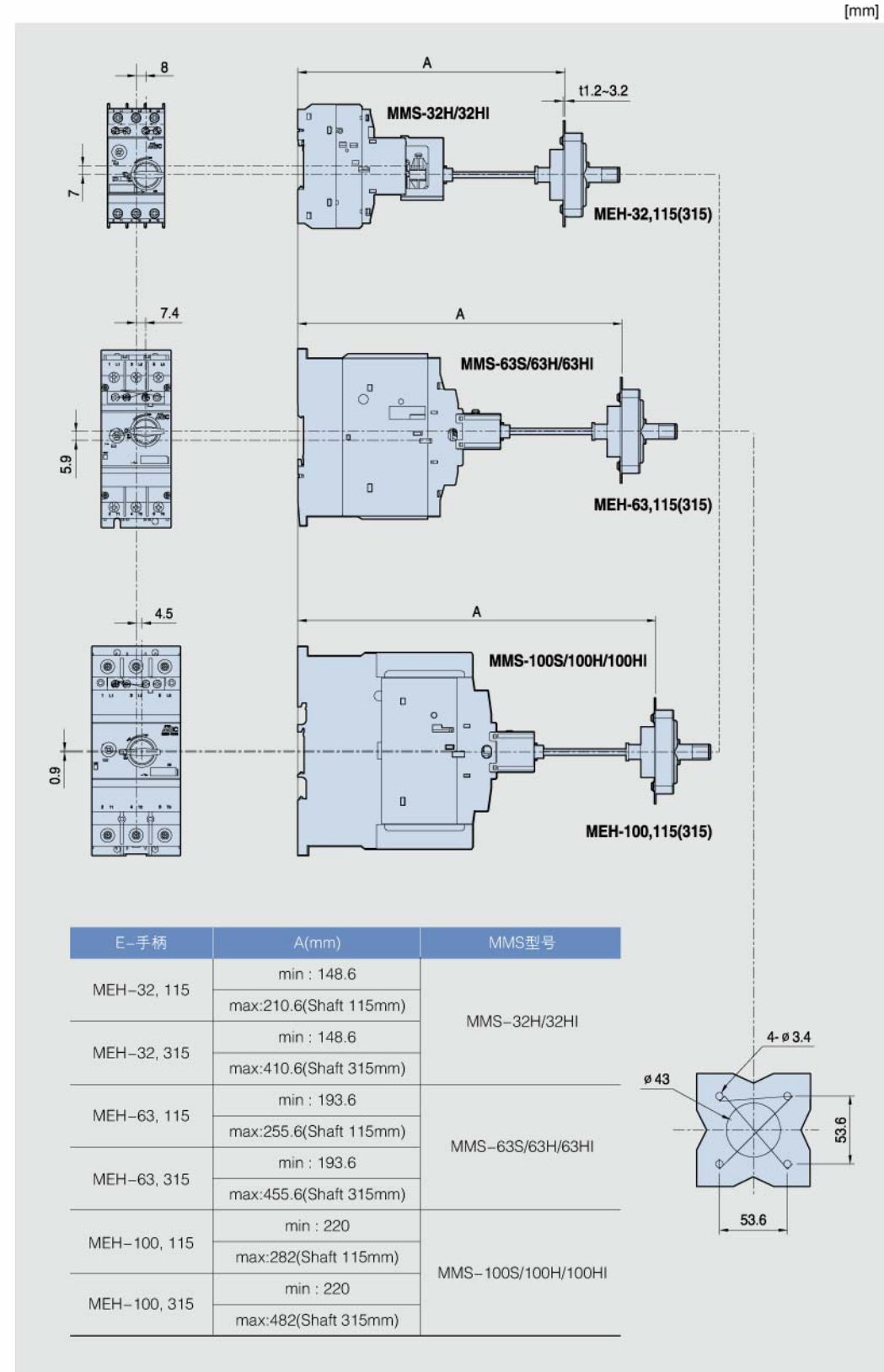
• MMS + Susol MC

[mm]

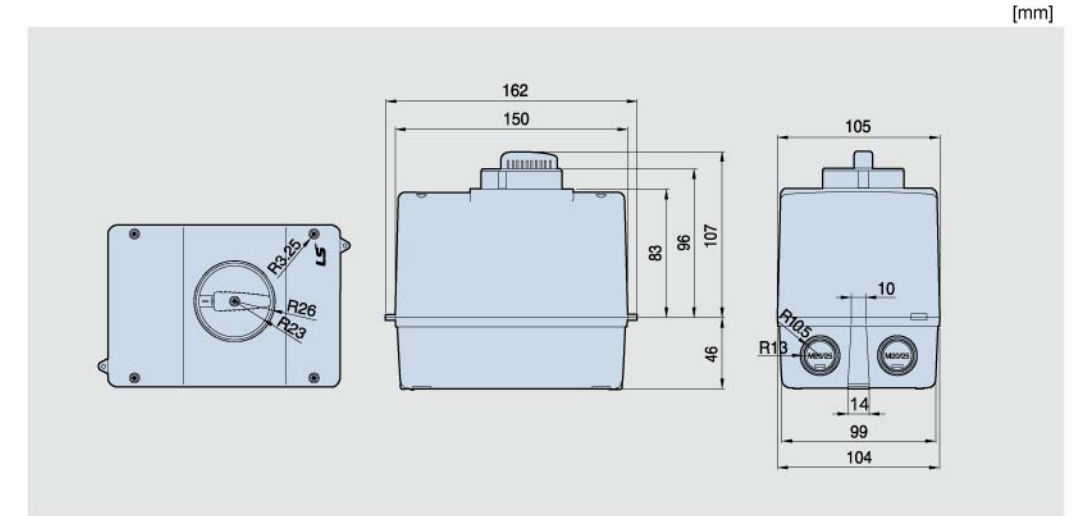


尺寸

• E-手柄



• 外壳



• 汇流排

