



电量传感器选型手册

江阴安科瑞电器制造有限公司
地 址：江苏省江阴市南闸镇东盟园区东盟路5号
电 话：0510-86179966 86179967
传 真：0510-86179975 邮编：214405
E-mail: jy-acrel001@vip.163.com

总 部：上海安科瑞电气有限公司
服务热线：800-8206632
网 址：<http://www.acrel.cn>

2008.05版

江阴安科瑞电器制造有限公司
JIANGYIN ACREL CO.,LTD

简介

BRIEF INTRODUCTION

江阴安科瑞电器制造有限公司座落于江苏江阴市南闸东盟工业园区，东临锡澄及沿江高速，交通便捷，是上海安科瑞电气有限公司控股公司。

公司为上海安科瑞电气有限公司的生产基地，同时也有自主产品，主要有电量传感器、温湿度控制器、户内高压带电显示器、温度巡检仪、电流互感器过电压保护器等。其中电量传感器包括AKH-0.66系列电流互感器、BA系列电流传感器、BM系列模拟信号变送器、BD系列电力变送器。产品已广泛应用于冶金、石化、电力自动化、建筑、水利等行业，并于电气成套一起出口国外，产生了较大的社会和经济效益。

公司现有员工200多人，其中大专以上学历人员占61%，顺利通过了ISO9001认证体系。公司还设有专门的技术研发中心，具有一支高素质的产品研发队伍。在同行业中，率先引进无铅工艺，使产品品质有了质的飞跃，大大提高产品竞争力，同时也为安科瑞产品顺利进军欧美发达国家市场提供了条件。

公司以“立足中国，放眼世界，诚做一流智能配电供应商”为目标、本着“为客户创造价值”的经营理念，与社会各界朋友真诚合作，共同发展！

Jiangyin acrel Co., Ltd. is located in the Dongmen industrial park of Jiangyin city, Jiangsu province, facing Xicheng and river side freeway in the east, with the advantage of fairly convenient traffic. This is one of Shanghai acrel Co., Ltd' s holding companies.

As Shanghai acrel Co., Ltd' s production base, it also has its own products such as Power energy transducer, temperature & humidity controller, indoor high voltage electrified display, temperature tester circular, current transformer, over voltage protective device etc. The Power energy transducers include: AKH-0.66 Series current transformer, BA Series current transmitters, BM Series analog signals transmitters, BD Series electric transmitters ,and these products have been selecting to export abroad along with electrical complete equipment producing large social efficiency and economic benefit.

This company has a workforce over 200, the technical personnel with educational background above Junior college is over 61%, of the entire personnel. This company passed the certification of ISO 9001 Quality Management System with success. This company has its separate technical research and development center with high quality technical developing team. In the same trade, this company firstly introduce leadless technology to upgrade product quality and the marketing competitive power, and provide advantage helping Acrel' s products landing EU and America market smoothly.

This company is taking "To stay firmly rooted in China while looking ahead to the world, to be the first-class supplier of intelligent products in power substation & power distribution" as target, based on the business concept of "Creating value for customer", co-operating with all walks of life friends honestly to promote common development!

1 AKH-0.66系列电流互感器
Series current transformer

39 BA系列交流电流传感器
Series AC current transmitter

42 BM系列模拟信号变送器
Series BM analog signal transmitters

58 BD系列电力变送器
Series BD electric transmitters

1. AKH-0.66系列电流互感器

1.1 概述 General

AKH-0.66系列电流互感器外壳采用阻燃、耐温140℃的进口聚碳酸酯压铸成形，铁芯采用取向冷轧硅钢带卷绕而成，二次导线采用高强度电磁漆包线，产品结构新颖，造型美观，安装方便，体积小，质量轻，准确度高，容量大。

产品符合国际GB1208-2006。

1.2 技术指标 Technical data

- ◆ 测量CT 一次电流5~6300A,二次电流 5A,1A,0.1A,0.05A
保护CT一次电流200~6300A,二次电流5A,1A,0.1A,0.05A
剩余CT一次电流0~5A,二次输出电压 1V 或电流 2mA,20mA
双绕组CT一次电流5~6300A,二次电流5A、20mA,1A、20mA
- ◆ 额定工作电压AC0.66kV(等效AC 0.69kV, GB156-2003)
- ◆ 额定频率50~60Hz
- ◆ 环境温度-30℃~70℃ 最高耐温120℃
- ◆ 海拔高度≤3000m
- ◆ 工频耐压3000V/1min 50Hz
- ◆ 用于没有雨雪直接侵袭,无严重污染及剧烈震动的场所

1.3 选型说明 Explanation for selection

- ◆ 根据一次电流及母线截面等参数选择对应的规格产品。一次导线穿越互感器窗孔。打开翻盖，通过压线片进行二次接线，二次接线引出后翻盖复位。计量电能可直接利用翻盖小孔加封铅印，以防窃电。

AKH-0.66 Series current transformer have features of novel construction, aesthetic design, easily installing, smaller volume, lighter weight, high precision, higher capacity, its housing is formed by press mould with export flame retarding polycarbonate of heat resisting 140℃, its core adopt quality silicone steel belt, its secondary wire adopt high strength enamel insulated wire. This product meets the requirements of GB1208-2006.

- ◆ Primary current 5~6300A, second current 5A,1A,0.1A,0.05A
Protection CT primary current 200~6300A, secondary current 5A,1A,0.1A,0.05A
Zero sequence CT primary current 0~5A, secondary output voltage 1V or current 2mA,20mA
Dual-winding CT primary current 5~6300A, secondary current 5A,20mA,1A,20mA
- ◆ Rated operational voltage AC0.66kV
- ◆ Rated frequency 50~60Hz
- ◆ Ambient air temperature -30℃~70℃ max. heat resist 120℃
- ◆ Height above sea level ≤3000m
- ◆ Power frequency withstand voltage 3000V/1mm 50Hz
- ◆ Used in place without direct rain and snow, without severe pollution and acute shock

- ◆ The selection of specification product is based on related parameters such as primary current, bus section etc. Primary wire passes through window of transformer. Opening the flip cover, connecting secondary wire by lug, after leading out the secondary wire, restoring the flip cover. When power metering, lead sealing small hole of flip cover to prevent electric larceny.

型号 Type	主要特点 Main features	备注 Note
AKH-0.66-I	适用于(单)多根电缆或单根母排穿越 Suitably pass through by (single) multiple cables or bus	适用面广, 规格多 wide usage, more specification
AKH-0.66-II	适用于多根母排(2-6根)或多根电缆穿越 Suitably pass through by multiple buses (2-6) or multiple cables	适用面广, 规格多 wide usage, more specification
AKH-0.66-III	具备I、II型特点,满足供电计量精度高,容量大的要求 Possess features of I, II type, satisfactory for requirements of high metering precision, high capacity	计量用, 400/5A及以上 Using for metering ,400/5A and above
AKH-0.66-M8	适用于小电流,小空间场所,为接线式CT尤其适合抽屉柜要求 As connection CT, applicable to small current, small space, especially for draw-out cabinet	体积小, 容量2.5VA Smaller volume, capacity 2.5VA
AKH-0.66-P	适用于多根母排, 立式安装, 与继电器配套使用 Applied to multi-bus, vertical installing, matching with relay	保护用, 200/5及以上 For protection, 200/5 and above
AKH-0.66-S	双路输出, 一路用于指针式电流表测量, 另一路用于系统监控的电流采集 Dual-channel output, one is used for current meter measurement, another is used for collecting system monitoring current	适用面广, 规格多 wide usage, more specification
AKH-0.66-L	用于剩余电流的采集 to be used for collecting residual current	与电气测控装置配套使用 Matched with electric measuring unit

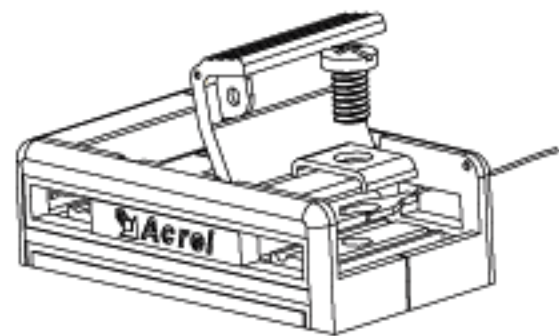
- ◆ 工作电流长期不超过1.1倍额定值,允许在1.2倍额定值时短时使用,时间不超过1h;
- ◆ Long time working current does not exceed 110% of rating, 120% of rating may be used in short time, duration does not exceed 1h;
- ◆ 根据被测电流大小,选定额定电流比,一般选用比被测电流大1/3左右的额定电流;
- ◆ Based on detected current, select the rated current and rated current ratio, generally above 2/3 load current;
- ◆ 产品极性表示为:一次接线标志P1、P2,相应二次接线标志S1、S2;S1表示P1的同名端,S2表示P2的同名端;
- ◆ Product polarity indicate: P1, P2 mark for primary wiring; S1, S2 mark for relevant second wiring; S1 indicate same name end of P1; S2 indicate same name end of P2 .
- ◆ 测量仪表接于S1、S2端上,此时所接回路的总负荷不应超过互感器的额定负荷,当安装仪表位置与电流互感器相距甚远或回路负载较大时,应优先选用电流为1A的规格;
- ◆ Measure meters are connected on S1 end, S2 end, and the total impedance (including wire) shall not exceed the rated load of the transformer. If the meter mount position is far from current transformer or the circuit load is heavy, the preferable selection is specification for 1A .
- ◆ 注意根据母排的规格和根数,选用相匹配窗口大小的互感器。
- ◆ Based on spec. and number of bus, select the transformer with proper matched window .

1.4 产品规格 Product specification

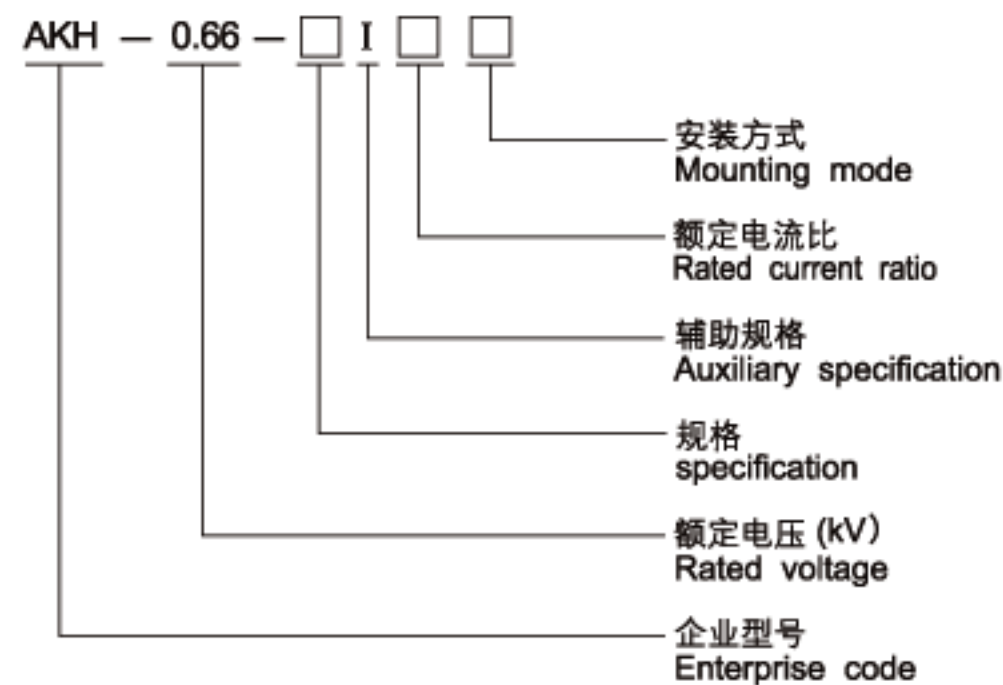
1.4.1 AKH-0.66 I型电流互感器 / Type I current transformer

◆ 产品特点 Product feature

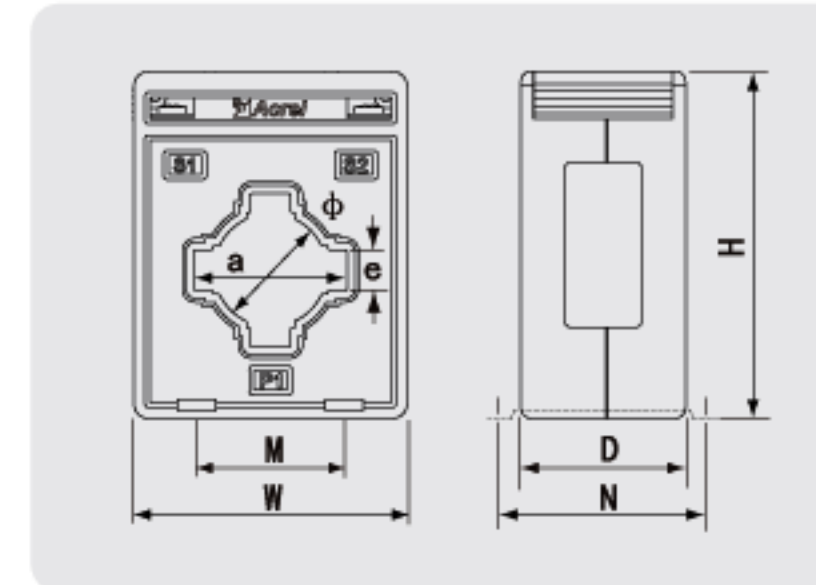
专利产品,翻盖式设计,外形美观,接线方便。
翻盖材料选用透明聚碳酸酯,能清楚看到二次引线接线情况。
方圆孔型,既可穿越电缆,也可穿越汇流排,一般作电气测量仪表用。



◆ 型号说明 Explanation for type



◆ 规格尺寸 spec.& size



◆ I型规格尺寸 Type I spec.& size

单位(Unit): mm

规格 型式 Type	外形尺寸 Outline size			穿孔尺寸 Through size			安装尺寸 Mounting size	
	W	H	D	a	e	φ	M	N
30 I	60	78	36	31	11	23	34	57.5
40 I	75	98	45	42	11	31	40	57.5
60 I	102	130	45	61.5	21	45	42	57.5
80 I	118	140	45	82	11	52	60	57.5

◆ 规格参数对照表 Cross-reference tables of spec. -parameter



规格 Specification	额定电流比 (A) Rated current ratio	准确级及相应额定负荷 (VA) Precision degree and corresponding rated load			穿心 匝数 Straight- through turns	母排规格/ 根数 Bus spec/ number	电缆最大 外径 (mm) Max. cable outer diameter	安装 方式 Mounting mode			
		0.2级 (Class)	0.5级 (Class)	1级 (Class)							
30 I	15/5			2.5	5	/	/	A			
	20/5			2.5	4						
	25/5			2.5	3						
	30/5			2.5	3						
	40/5			2.5	2						
	50/5			2.5	2						
	60/5			2.5	2						
	75/5			2.5	1						
	100/5		2.5*	2.5	1						
	150/5		2.5		1						
40 I	200/5		5		1	30×10/1	φ22	A, B			
	250/5		5		1						
	300/5	2.5*	5		1						
	400/5	2.5*	5		1						
	500/5	5*	10		1						
	30/5			2.5	3				/	/	A
	40/5			2.5	2						
	50/5			2.5	2						
	60/5			2.5	2						
	75/5			2.5	1						
100/5		2.5*	2.5	1							
150/5		2.5		1							
200/5		5		1							
250/5		5		1							
300/5	2.5*	5		1	40×10/1	φ30	A, C				
400/5	2.5*	5		1							
500/5	5*	10		1							
600/5	5*	10		1							
750/5	5*	10		1							
800/5	5*	10		1							
1000/5	5*	15		1							

● 规格参数对照表 Cross-reference tables of spec. -parameter

规格 Specification	额定电流比 (A) Rated current ratio	准确级及相应额定负荷 (VA) Precision degree and corresponding rated load			穿心匝数 Straight-through turns	母排规格/ 根数 Bus spec/ number	电缆最大 外径 (mm) Max. cable outer diameter	安装 方式 Mounting made
		0.2级 (Class)	0.5级 (Class)	1级 (Class)				
60 I	150/5		2.5		1	60×10/1 60×6/ 1-2	φ44	A、 C、D
	200/5		5		1			
	250/5		5		1			
	300/5	2.5*	5		1			
	400/5	2.5*	5		1			
	500/5	5*	10		1			
	600/5	5*	10		1			
	750/5	5*	10		1			
	800/5	5*	10		1			
	1000/5	15			1			
	1200/5	20			1			
	1500/5	20			1			
2000/5	20			1				
80 I	300/5		5		1	80×10/1 60×10/ 1-2	φ50	A、 C、D
	400/5	2.5*	5		1			
	500/5	5*	10		1			
	600/5	5*	10		1			
	750/5	5*	10		1			
	800/5	5*	10		1			
	1000/5	15			1			
	1200/5	20			1			
	1500/5	20			1			
	2000/5	20			1			
	2500/5	30			1			

注: 准确级及其相应额定负荷栏中有 "*" 标注的为特殊规格, 订货时请说明。
 Note: If "*" mark appear in column of precision degree and corresponding rated load, this is a special spec. when ordering, please state it clearly.

规格 Specification	额定电流比 (A) Rated current ratio	准确级及相应额定负荷 (VA) Precision degree and corresponding rated load			穿心匝数 Straight-through turns	母排规格/ 根数 Bus spec/ number	电缆最大 外径 (mm) Max. cable outer diameter	安装 方式 Mounting made
		0.2级 (Class)	0.5级 (Class)	1级 (Class)				
30 I	15/1			2.5	5	/	/	A
	20/1			2.5	4			
	25/1			2.5	3			
	30/1			2.5	3			
	40/1			2.5	2			
	50/1			2.5	2			
	60/1			2.5	2			
	75/1			2.5	1			
	100/1		2.5*	2.5	1			
	150/1		2.5		1			
	200/1		5		1			
	250/1		5		1			
	300/1	2.5*	5		1			
	400/1	2.5*	5		1			
	300/1			2.5	3			
400/1			2.5	2				
50/1			2.5	2				
60/1			2.5	2				
75/1			2.5	1				
100/1		2.5*	2.5	1				
150/1		2.5		1				
200/1		5		1				
250/1		5		1				
300/1	2.5*	5		1				
400/1	2.5*	5		1				
500/1	5*	10		1				
600/1	5*	10		1				
750/1	5*	10		1				
800/1	5*	10		1				
1000/1	15			1				
150/1		2.5		1				
200/1		5		1				
250/1		5		1				
300/1	2.5*	5		1				
400/1	2.5*	5		1				
500/1	5*	10		1				
600/1	5*	10		1				
750/1	5*	10		1				
800/1	5*	10		1				
1000/1	15			1				
1200/1	20			1				
1500/1	20			1				
2000/1	20			1				

● 规格参数对照表 Cross-reference tables of spec. -parameter



规格 Specification	额定电流比 (A) Rated current ratio	准确级及相应额定负荷(Ω) Precision degree and corresponding rated load			穿心 匝数 Straight- through turns	母排规格/ 根数 Bus spec/ number	电缆最大 外径 (mm) Max. cable outer diameter	安装 方式 Mounting mode
		0.2级 (Class)	0.5级 (Class)	1级 (Class)				
80 I	300/1		5		1	80×10/1 60×10/ 1-2	φ50	A、 C、D
	400/1	2.5*	5		1			
	500/1	5*	10		1			
	600/1	5*	10		1			
	750/1	5*	10		1			
	800/1	5*	10		1			
	1000/1	15			1			
	1200/1	20			1			
	1500/1	20			1			
	2000/1	20			1			
	2500/1	30			1			

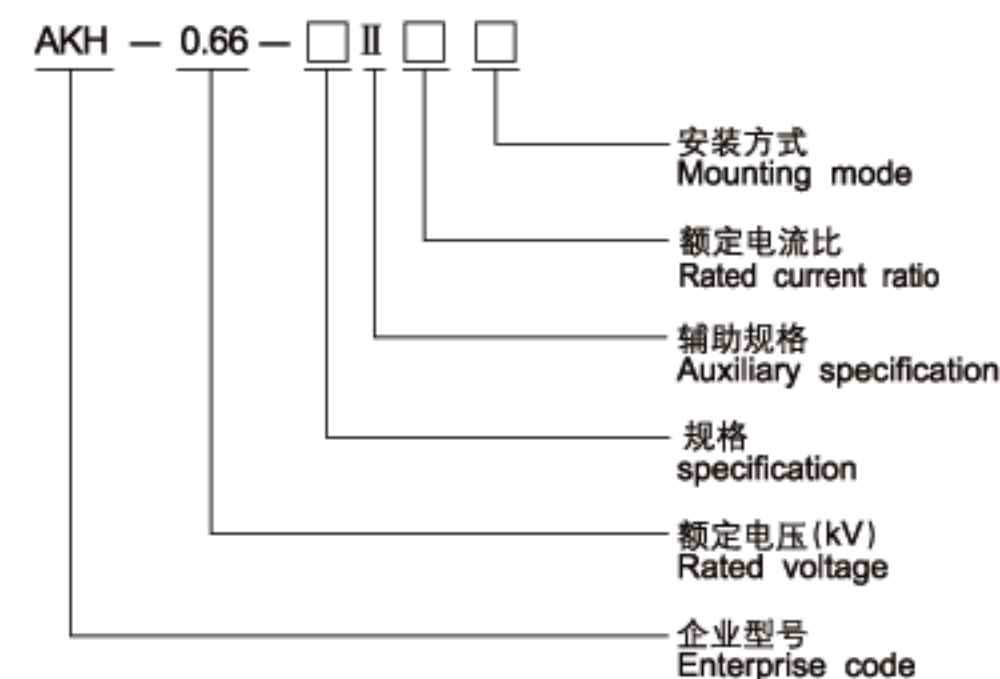
注: 准确级及其相应额定负荷栏中有 "*" 标注的为特殊规格 订货时请说明。
Note: If "*" mark appear in column of precision degree and corresponding rated load, this is a special spec. when ordering, please state it clearly.

1.4.2 AKH-0.66 II 型电流互感器 / Type II current transformer

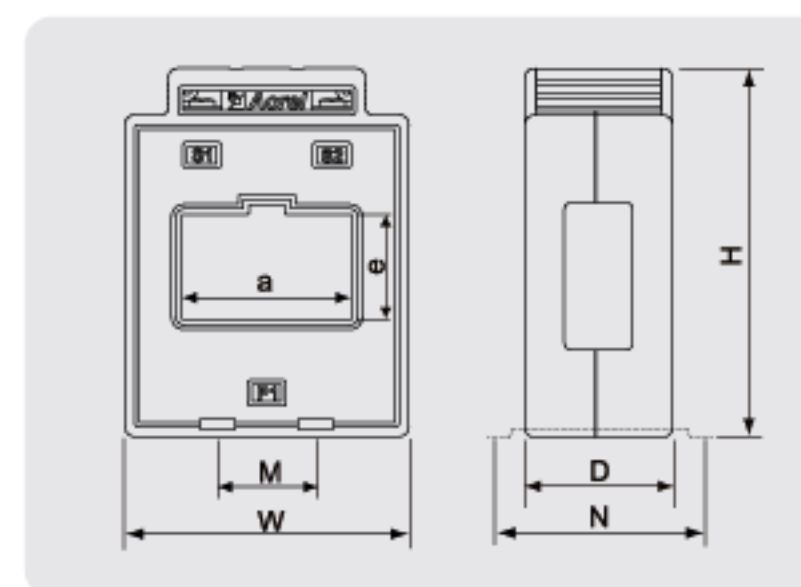
● 产品特点 Feature of product

卧式方孔型, 可穿越1~6根汇流排, 亦可穿越多根电缆, 一般作电气测量仪表使用。
Horizontal square hole type, can pass through 1-6 bar bus, also pass through multiple cables, generally used for electric metering.

● 型号说明 Explanation for type



● 规格尺寸 spec.& size







● II 型规格尺寸 Type II spec.& size



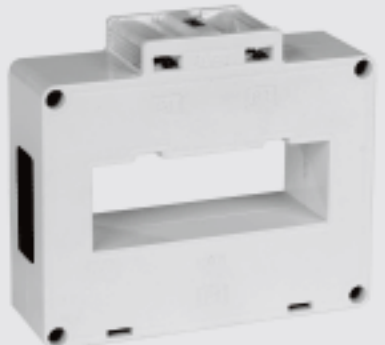

单位(Unit): mm

规格 型式 Type	尺寸 Size			外形尺寸 Outline size		穿孔尺寸 Through size		安装尺寸 Mounting size	
	W	H	D	a	e	M	N		
40 II	78	105	45	44	31.5	48	57.5		
50 II	87	113	45	52	32	30	57.5		
60 II	102	125	45	61	33	42	57.5		
60×50 II	102	142	45	61.5	51.5	42	57.5		
80 II	117	119	45	82	32	60	57.5		
80×50 II	120	141	45	82	52	60	57.5		
100 II	145	125	45	103	35	80	57.5		
100×50 II	145	155	50	103	55	80	83		
100×80 II	167	198	62	106	85	80	83		
120×50 II	174	168	50	122	52	79	57.5		
130 II	174	133	47	134	37	80	57.5		
130×50 II	196	175	55.5	136	54	86	83		
180×50 II	243	176	56	186	54	56/40	83		
200×50 II	259	178	58.5	207	53	50×3	83		
220X50 II	280	190	60	225	55	50×3	83		

● 规格参数对照表 Cross-reference tables of spec. -parameter

规格 Specification	额定电流比 (A) Rated current ratio	准确级及其相应额定负荷 (VA) Precision degree and corresponding rated load			穿心匝数 Straight-through turns	母排规格/根数 Bus spec/number	电缆最大外径 (mm) Max. cable outer diameter	安装方式 Mounting made
		0.2级 (Class)	0.5级 (Class)	1级 (Class)				
	150/5		2.5		1	40×10/ 1-2	/	B、 C、D
	200/5		5		1			
	250/5		5		1			
	300/5	2.5*	5		1			
	400/5	2.5*	5		1			
	500/5	5*	10		1			
	600/5	5*	10		1			
	750/5	5*	10		1			
	800/5	5*	10		1			
	1000/5	15			1			
	150/5		2.5		1	50×10/ 1-2	/	B、 C、D
	200/5		5		1			
	250/5		5		1			
	300/5	2.5*	5		1			
	400/5	2.5*	5		1			
	500/5	5*	10		1			
	600/5	5*	10		1			
	750/5	5*	10		1			
	800/5	5*	10		1			
	1000/5	15			1			
	200/5		5		1	60×10/ 1-2	/	D
	250/5		5		1			
	300/5	2.5*	5		1			
	400/5	2.5*	5		1			
	500/5	5*	10		1			
	600/5	5*	10		1			
	750/5	5*	10		1			
	800/5	5*	10		1			
	1000/5	15			1			
	1200/5	20			1			
	200/5		5		1	60×10/ 1-3	/	D
	250/5		5		1			
	300/5	2.5*	5		1			
	400/5	2.5*	5		1			
	500/5	5*	10		1			
	600/5	5*	10		1			
	750/5	5*	10		1			
	800/5	5*	10		1			
	1000/5	15			1			
	1200/5	20			1			
1500/5	20			1				
2000/5	20			1				

● 规格参数对照表 Cross-reference tables of spec. -parameter

规格 Specification	额定电流比 (A) Rated current ratio	准确级及其相应额定负荷 (VA) Precision degree and corresponding rated load			穿心匝数 Straight-through turns	母排规格/根数 Bus spec/number	电缆最大外径 (mm) Max. cable outer diameter	安装方式 Mounting made				
		0.2级 (Class)	0.5级 (Class)	1级 (Class)								
	300/5	2.5*	5		1	80×10/ 1-2	/	D				
	400/5	2.5*	5		1							
	500/5	5*	10		1							
	600/5	5*	10		1							
	750/5	5*	10		1							
	800/5	5*	10		1							
	1000/5	15			1							
	1200/5	20			1							
	1500/5	20			1							
	2000/5	20			1							
	2500/5	30			1							
	3000/5	30			1							
		400/5	2.5*	5					1	80×10/ 1-3	/	D
		500/5	5*	10					1			
600/5		5*	10		1							
750/5		5*	10		1							
800/5		5*	10		1							
1000/5		15			1							
1200/5		20			1							
1500/5		20			1							
2000/5		20			1							
2500/5		30			1							
	400/5	2.5*	5		1	100×10/ 1-2	/	D				
	500/5	5*	10		1							
	600/5	5*	10		1							
	750/5	5*	10		1							
	800/5	5*	10		1							
	1000/5	15			1							
	1200/5	20			1							
	1500/5	20			1							
	2000/5	20			1							
	2500/5	30			1							
	500/5	5*	10		1	100×10/ 1-3	/	D				
	600/5	5*	10		1							
	750/5	5*	10		1							
	800/5	5*	10		1							
	1000/5	15			1							
	1200/5	20			1							
	1500/5	20			1							
	2000/5	20			1							



规格 Specification	额定电流比 (A) Rated current ratio	准确级及其相应额定负荷 (VA) Precision degree and corresponding rated load			穿心匝数 Straight-through turns	母排规格/根数 Bus spec/number	电缆最大外径 (mm) Max. cable outer diameter	安装方式 Mounting made
		0.2级 (Class)	0.5级 (Class)	1级 (Class)				
100×50 II	2500/5	30			1	100×10/ 1-3		D
	3000/5	30			1			
100×80 II	600/5	5*	10		1	100×10/ 1-4	/	D
	750/5	5*	10		1			
	800/5	5*	10		1			
	1000/5	15			1			
	1200/5	20			1			
	1500/5	20			1			
	2000/5	20			1			
	2500/5	30			1			
	3000/5	30			1			
	4000/5	30			1			
120×50 II	600/5	5*	10		1	120×10/ 1-3	/	D
	750/5	5*	10		1			
	800/5	5*	10		1			
	1000/5	15			1			
	1200/5	20			1			
	1500/5	20			1			
	2000/5	20			1			
	2500/5	30			1			
	3000/5	30			1			
	4000/5	30			1			
130 II	600/5	5*	10		1	130×10/ 1-2 60×10/ 2-4	/	D
	750/5	5*	10		1			
	800/5	5*	10		1			
	1000/5	15			1			
	1200/5	20			1			
	1500/5	20			1			
	2000/5	20			1			
	2500/5	30			1			
3000/5	30			1				
130×50 II	800/5	5*	10		1	130×10/ 1-3 60×10/ 2-6	/	D
	1000/5	15			1			
	1200/5	20			1			
	1500/5	20			1			
	2000/5	20			1			
	2500/5	30			1			
	3000/5	30			1			
	4000/5	30			1			
5000/5	30			1				



规格 Specification	额定电流比 (A) Rated current ratio	准确级及其相应额定负荷 (VA) Precision degree and corresponding rated load			穿心匝数 Straight-through turns	母排规格/根数 Bus spec/number	电缆最大外径 (mm) Max. cable outer diameter	安装方式 Mounting made
		0.2级 (Class)	0.5级 (Class)	1级 (Class)				
180×50 II	1000/5	15			1	80×10/ 2-6	/	D
	1200/5	20			1			
	1500/5	20			1			
	2000/5	20			1			
	2500/5	30			1			
	3000/5	30			1			
	4000/5	30			1			
	5000/5	30			1			
200×50 II 220×50 II	1000/5	15			1	100×10/ 2-6	/	D
	1200/5	20			1			
	1500/5	20			1			
	2000/5	20			1			
	2500/5	30			1			
	3000/5	30			1			
	4000/5	30			1			
	6300/5	30			1			

注：准确级及其相应额定负荷栏中有“*”标注的为特殊规格，订货时请说明。
 Note: If “*” mark appear in column of precision degree and corresponding rated load, this is a special spec. when ordering, please state it clearly.

● 规格参数对照表 Cross-reference tables of spec. -parameter

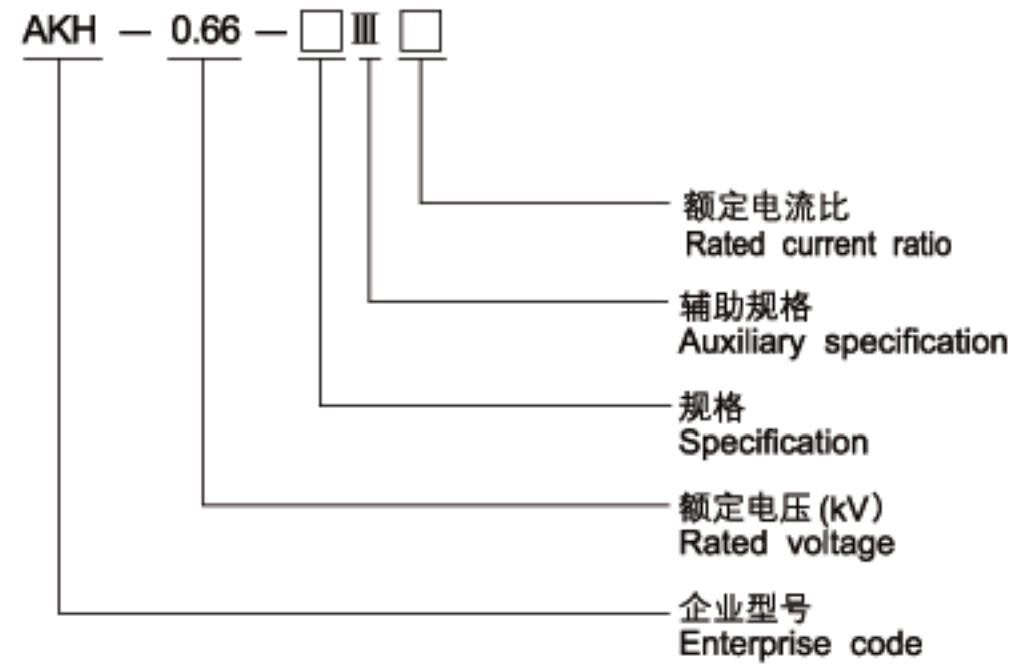
规格 Specification	额定电流比 (A) Rated current ratio	准确级及其相应额定负荷 (Ω) Precision degree and corresponding rated load			穿心匝数 Straight-through turns	母排规格/根数 Bus spec./number	电缆最大外径 (mm) Max. cable outer diameter	安装方式 Mounting made
		0.2级 (Class)	0.5级 (Class)	1级 (Class)				
	150/1		2.5		1	40 × 10/ 1-2	/	B、 C、D
	200/1		5		1			
	250/1		5		1			
	300/1	2.5*	5		1			
	400/1	2.5*	5		1			
	500/1	5*	10		1			
	600/1	5*	10		1			
	750/1	5*	10		1			
	800/1	5*	10		1			
	1000/1	15			1			
	150/1		2.5		1	50 × 10/ 1-2	/	B、 C、D
	200/1		5		1			
	250/1		5		1			
	300/1	2.5*	5		1			
	400/1	2.5*	5		1			
	500/1	5*	10		1			
	600/1	5*	10		1			
	750/1	5*	10		1			
	800/1	5*	10		1			
	1000/1	15			1			
	200/1		5		1	60 × 10/ 1-2	/	D
	250/1		5		1			
	300/1	2.5*	5		1			
	400/1	2.5*	5		1			
	500/1	5*	10		1			
	600/1	5*	10		1			
	750/1	5*	10		1			
	800/1	5*	10		1			
	1000/1	15			1			
	1200/1	20			1			
	300/1	2.5*	5		1	60 × 10/ 1-3	/	D
	400/1	2.5*	5		1			
	500/1	5*	10		1			
	600/1	5*	10		1			
	750/1	5*	10		1			
	800/1	5*	10		1			
	1000/1	15			1			
	1200/1	20			1			
	1500/1	20			1			
	2000/1	20			1			

● 规格参数对照表 Cross-reference tables of spec. -parameter

规格 Specification	额定电流比 (A) Rated current ratio	准确级及其相应额定负荷 (Ω) Precision degree and corresponding rated load			穿心匝数 Straight-through turns	母排规格/根数 Bus spec./number	电缆最大外径 (mm) Max. cable outer diameter	安装方式 Mounting made
		0.2级 (Class)	0.5级 (Class)	1级 (Class)				
	300/1	2.5*	5		1	80 × 10/ 1-2	/	D
	400/1	2.5*	5		1			
	500/1	5*	10		1			
	600/1	5*	10		1			
	750/1	5*	10		1			
	800/1	5*	10		1			
	1000/1	15			1			
	1200/1	20			1			
	1500/1	20			1			
	2000/1	20			1			
	2500/1	30			1			
	3000/1	30			1			
		400/1	2.5*	5				
500/1		5*	10		1			
600/1		5*	10		1			
750/1		5*	10		1			
800/1		5*	10		1			
1000/1		15			1			
1200/1		20			1			
1500/1		20			1			
2000/1		20			1			
2500/1		30			1			
	400/1	2.5*	5		1	100 × 10/ 1-2	/	D
	500/1	5*	10		1			
	600/1	5*	10		1			
	750/1	5*	10		1			
	800/1	5*	10		1			
	1000/1	15			1			
	1200/1	20			1			
	1500/1	20			1			
	2000/1	20			1			
	2500/1	30			1			
3000/1	30			1				

注: 准确级及其相应额定负荷栏中有 "*" 标注的为特殊规格, 订货时请说明。
 Note: If "*" mark appear in column of precision degree and corresponding rated load, this is a special spec. when ordering, please state it clearly.

● 型号说明 Explanation for type

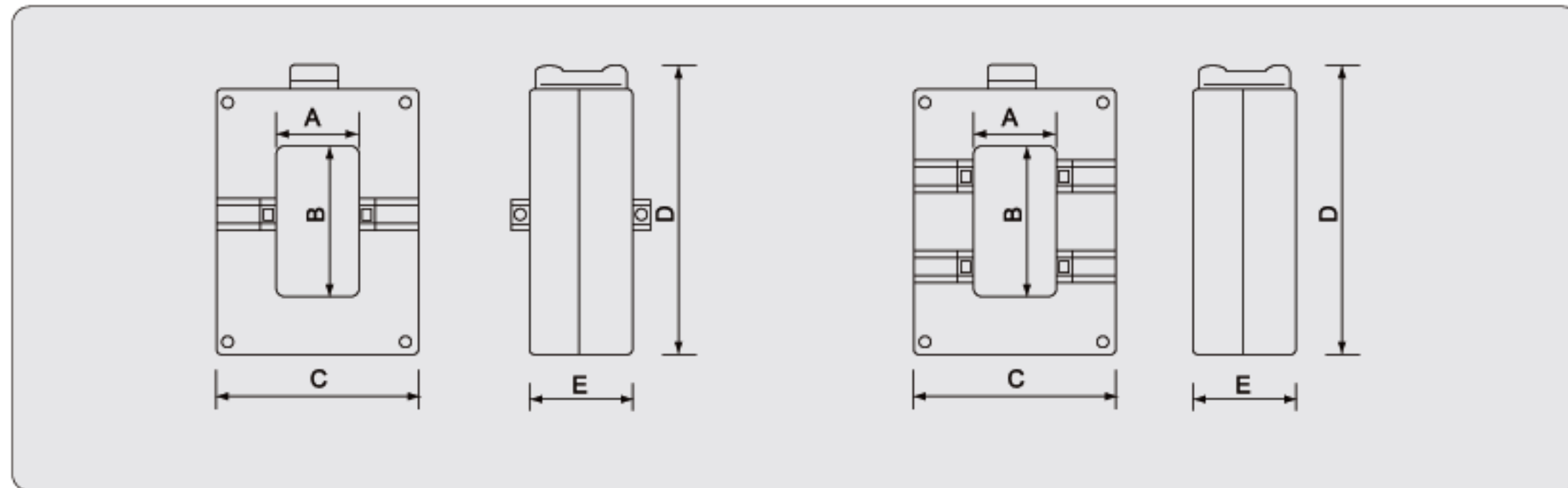


● III型规格尺寸 Type III spec.& size

单位(Unit): mm

规格 Size Type	外形尺寸 Outline dimensions			安装尺寸 Mounting size		图形 Figure
	C	D	E	A	B	
60 III	100	143	56	32	62	图(Figure) 1
80 III	100	168	56	32	82	图(Figure) 2
100 III	105	193	56	32	102	图(Figure) 2
120 III	125	218	56	52	122	图(Figure) 2
130 III	125	222	57	53	133	图(Figure) 2

● 规格尺寸 spec.& size



图(Figure) 1

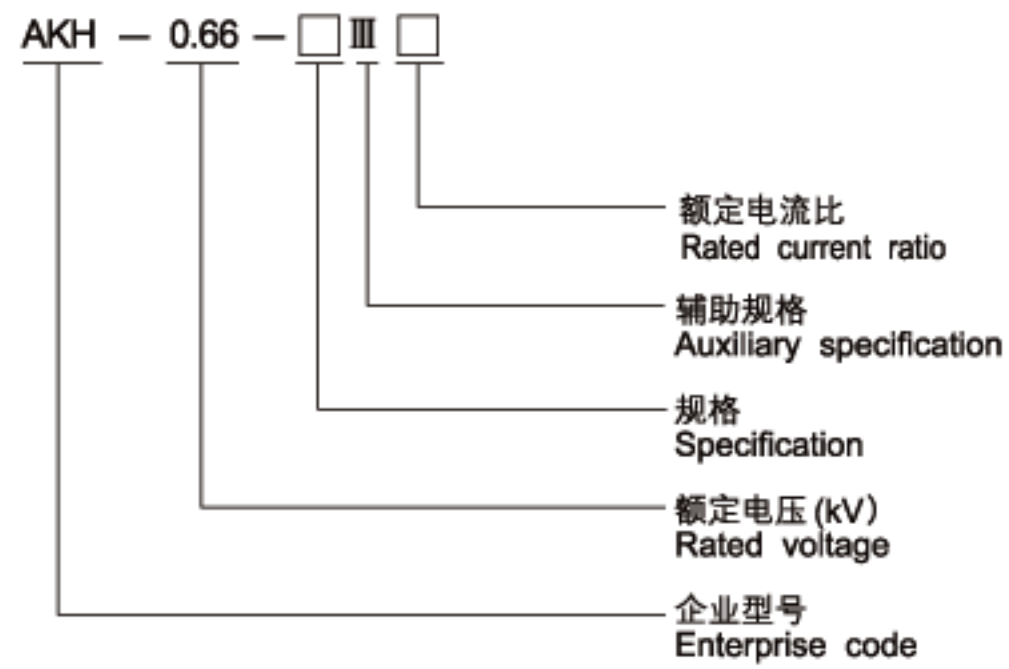
图(Figure) 2

● 规格参数对照表 Cross-reference tables of spec. -parameter



规格 specification	额定电流比(A) Rated current ratio	准确级及其相应额定负荷 (VA) Precision degree and corresponding rated load		额定电流比(A) Rated current ratio	准确级及其相应额定负荷 (Ω) Precision degree and corresponding rated load		母排规格/ bus spec/ number	安装 方式 Mounting made
		0.2 级 (Class)	0.5 级 (Class)		0.2 级 (Class)	0.5 级 (Class)		
60 III				250/1		5	60×10/ 1-2	E
				300/1		5		
	400/5	5*	10	400/1	5*	10		
	500/5	10*	10	500/1	10*	10		
	600/5	10*	10	600/1	10*	10		
	750/5	10*	10	750/1	10*	10		
	800/5	10		800/1	10			
	1000/5	15		1000/1	15			
	1200/5	20		1200/1	20			
	1500/5	20		1500/1	20			
2000/5	20		2000/1	20				
80 III				400/1	5*	10	80×10/ 1-2	E
	500/5	10*	10	500/1	10*	10		
	600/5	10*	10	600/1	10*	10		
	750/5	10*	10	750/1	10*	10		
	800/5	10*	10	800/1	10*	10		
	1000/5	15		1000/1	15			
	1200/5	20		1200/1	20			
	1500/5	20		1500/1	20			
	2000/5	20		2000/1	20			
	2500/5	30		2500/1	30			
3000/5	30		3000/1	30				
100 III				500/1	10*	10	100×10/ 1-2	E
				600/1	10*	10		
				750/1	10*	10		
	800/5	10*	10	800/1	10*	10		
	1000/5	15		1000/1	15			
	1200/5	20		1200/1	20			
	1500/5	20		1500/1	20			
	2000/5	20		2000/1	20			
	2500/5	30		2500/1	30			
	3000/5	30		3000/1	30			
120 III	800/5	10		800/1	10		120×10/ 1-3	E
	1000/5	15		1000/1	15			
	1200/5	20		1200/1	20			
	1500/5	20		1500/1	20			
	2000/5	20		2000/1	20			
	2500/5	30		2500/1	30			
	3000/5	30		3000/1	30			

● 型号说明 Explanation for type

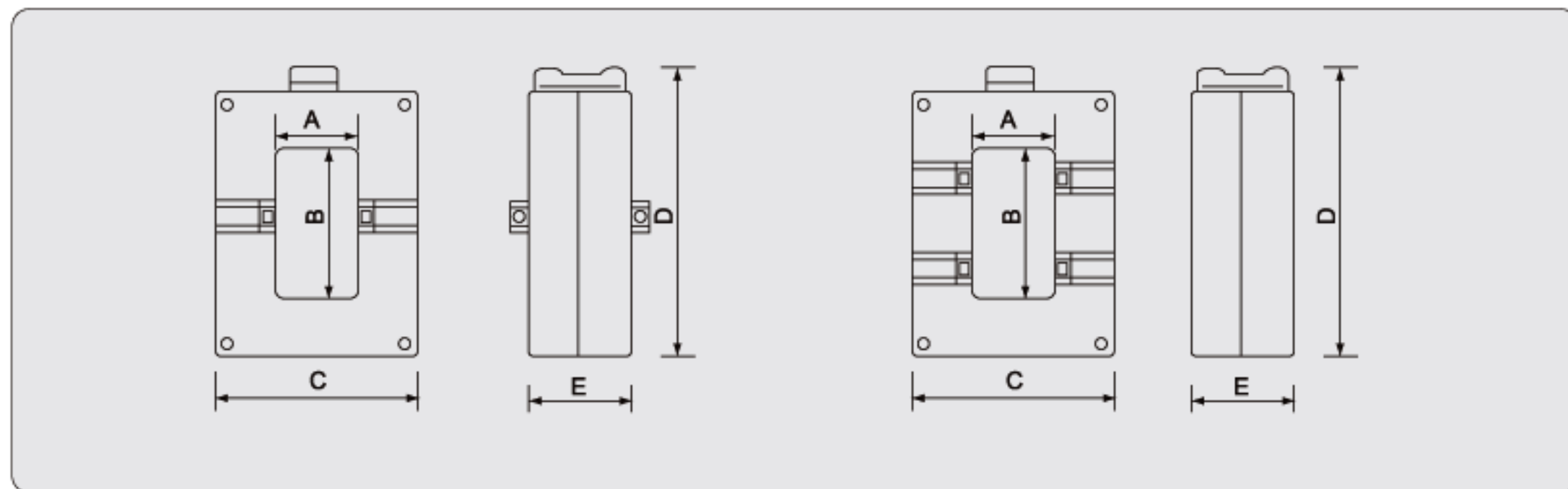


● III型规格尺寸 Type III spec.& size

单位(Unit): mm

规格 型式 Type	尺寸 Size	外形尺寸 Outline dimensions			安装尺寸 Mounting size		图形 Figure
		C	D	E	A	B	
60 III		100	143	56	32	62	图(Figure) 1
80 III		100	168	56	32	82	图(Figure) 2
100 III		105	193	56	32	102	图(Figure) 2
120 III		125	218	56	52	122	图(Figure) 2
130 III		125	222	57	53	133	图(Figure) 2

● 规格尺寸 spec.& size



图(Figure) 1

图(Figure) 2

● 规格参数对照表 Cross-reference tables of spec. -parameter



规格 specification	额定电流比(A) Rated current ratio	准确级及其相应额定负荷 (VA) Precision degree and corresponding rated load		额定电流比(A) Rated current ratio	准确级及其相应额定负荷 (VA) Precision degree and corresponding rated load		母排规格/ 根数 bus spec/ number	安装 方式 Mounting made
		0.2 级 (Class)	0.5 级 (Class)		0.2 级 (Class)	0.5 级 (Class)		
60 III				250/1		5	60×10/ 1-2	E
				300/1		5		
	400/5	5*	10	400/1	5*	10		
	500/5	10*	10	500/1	10*	10		
	600/5	10*	10	600/1	10*	10		
	750/5	10*	10	750/1	10*	10		
	800/5	10		800/1	10			
	1000/5	15		1000/1	15			
	1200/5	20		1200/1	20			
80 III				400/1	5*	10	80×10/ 1-2	E
	500/5	10*	10	500/1	10*	10		
	600/5	10*	10	600/1	10*	10		
	750/5	10*	10	750/1	10*	10		
	800/5	10*	10	800/1	10*	10		
	1000/5	15		1000/1	15			
	1200/5	20		1200/1	20			
	1500/5	20		1500/1	20			
	2000/5	20		2000/1	20			
100 III				500/1	10*	10	100×10/ 1-2	E
				600/1	10*	10		
				750/1	10*	10		
	800/5	10*	10	800/1	10*	10		
	1000/5	15		1000/1	15			
	1200/5	20		1200/1	20			
	1500/5	20		1500/1	20			
	2000/5	20		2000/1	20			
	2500/5	30		2500/1	30			
	3000/5	30		3000/1	30			
120 III	800/5	10		800/1	10		120×10/ 1-3	E
	1000/5	15		1000/1	15			
	1200/5	20		1200/1	20			
	1500/5	20		1500/1	20			
	2000/5	20		2000/1	20			
	2500/5	30		2500/1	30			
	3000/5	30		3000/1	30			

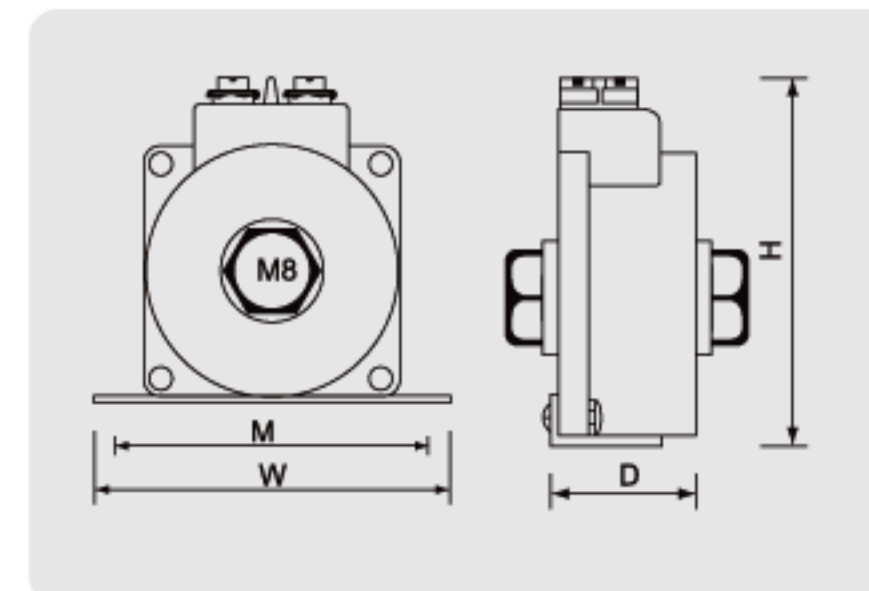
● 规格参数对照表 Cross-reference tables of spec. -parameter



规格 specification	额定电流比(A) Rated current ratio	准确级及其相应额定负荷 (VA) Precision degree and corresponding rated load		额定电流比(A) Rated current ratio	准确级及其相应额定负荷 (VA) Precision degree and corresponding rated load		母排规格/ 根数 bus spec/ number	安装 方式 Mounting made
		0.2级 (Class)	0.5级 (Class)		0.2级 (Class)	0.5级 (Class)		
120 III	4000/5	30		4000/1	30		120 × 10/ 1-3	E
	5000/5	30		5000/1	30			
130 III	1000/5	15		1000/1	15		130 × 10/ 1-3	E
	1200/5	20		1200/1	20			
	1500/5	20		1500/1	20			
	2000/5	20		2000/1	20			
	2500/5	30		2500/1	30			
	3000/5	30		3000/1	30			
	4000/5	30		4000/1	30			
	5000/5	30		5000/1	30			
6300/5	30		6300/1	30				

注: 准确级及其相应额定负荷栏中有 "*" 标注的为特殊规格, 订货时请说明。
Note: If "*" mark appear in column of precision degree and corresponding rated load, this is a special spec. when ordering, please state it clearly.

● 规格尺寸 spec.& size



● M8型规格尺寸 Type M8 spec.& size

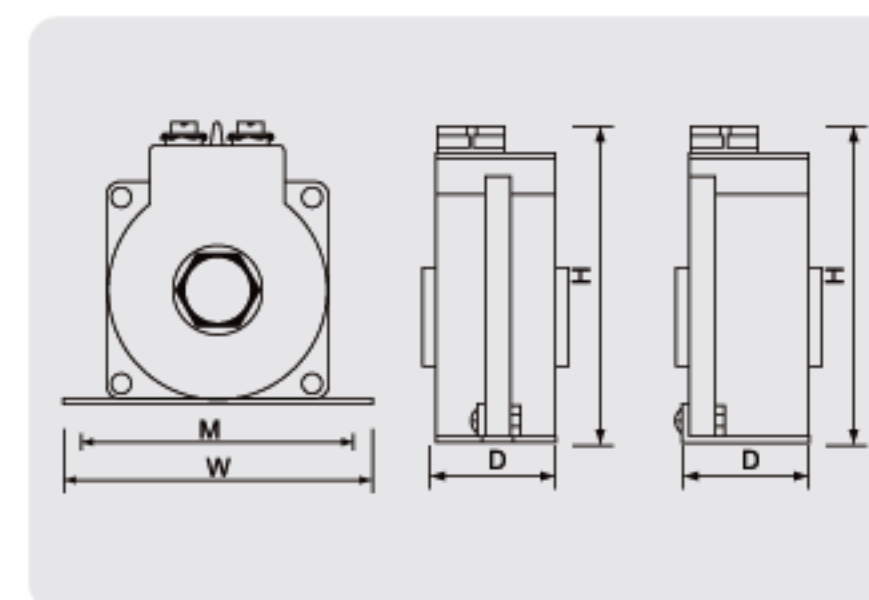
单位(Unit): mm

规格 型式 Type	尺寸 Size	外形尺寸 Outline dimensions			安装尺寸 Mounting size
		W	H	D	M
M8		80	86	30	72

● Ø8型规格尺寸 Type Ø8 spec.& size

单位(Unit): mm

规格 型式 Type	尺寸 Size	外形尺寸 Outline dimensions			穿孔尺寸	安装尺寸 Mounting size
		W	H	D	Ø	M
Ø8		59	82	26	8	/
Ø12		67	89	24	12	72

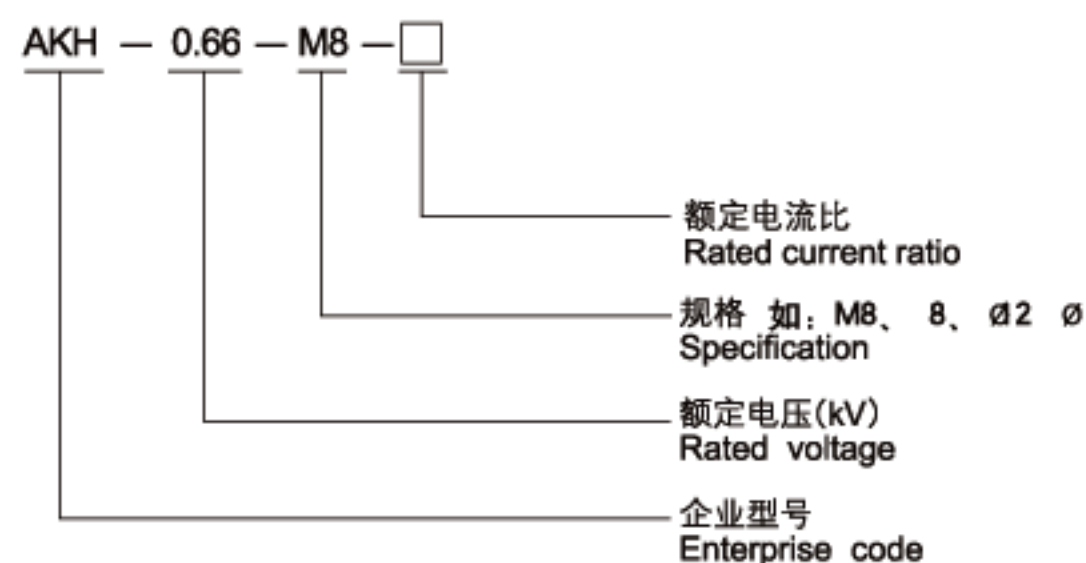


1.4.4 AKH-0.66-M8 (Ø8、Ø12) 型电流互感器 / Type M8 current transformer

● 产品特点 Feature of product

M、Ø型互感器, 为解决一次电流较小的情况, 容量2.5VA, 多用于低压抽屉柜等小空间场所。
M、Ø type is a wiring mode, capacity 2.5 VA, applicable to lower primary current, especially used for small space such as low voltage draw-out cabinet etc.

● 型号说明 Explanation for type



● 规格参数对照表 Cross-reference tables of spec. -parameter



规格 Specification	额定电流比 (A) Rated current ratio	准确级及其相应额定负荷 (VA) Precision degree and corresponding rated load			穿心 匝数 Straight- through turns	母排规格/ 根数 Bus spec/ number	电缆最大 外径 (mm) Max. cable outer diameter	安装 方式 Mounting made
		0.2级 (Class)	0.5级 (Class)	1级 (Class)				
M8	5/5			2.5	直接式 Direct type	/	/	H
	10/5			2.5				
	15/5			2.5				
	20/5			2.5				
	25/5			2.5				
	30/5			2.5				
	40/5			2.5				
	50/5			2.5				
	60/5			2.5				
	75/5			2.5				
100/5			2.5					



规格 Specification	额定电流比 (A) Rated current ratio	准确级及其相应额定负荷 (Ω) Precision degree and corresponding rated load			穿心匝数 Straight-through turns	母排规格/根数 Bus spec/number	电缆最大外径 (mm) Max. cable outer diameter	安装方式 Mounting made
		0.2级 (Class)	0.5级 (Class)	1级 (Class)				
M8	5/1			2.5	直接式 Direct type	/	/	H
	10/1			2.5				
	15/1			2.5				
	20/1			2.5				
	25/1			2.5				
	30/1			2.5				
	40/1			2.5				
	50/1			2.5				
	60/1			2.5				
	75/1			2.5				
	100/1		2.5*	2.5				

规格 Specification	额定电流比 (A) Rated current ratio	准确级及其相应额定负荷 (VA) Precision degree and corresponding rated load			穿心匝数 Straight-through turns	母排规格/根数 Bus spec/number	电缆最大外径 (mm) Max. cable outer diameter	安装方式 Mounting made
		0.2级 (Class)	0.5级 (Class)	1级 (Class)				
Ø8	75/5		2.5*	2.5	/	/	/	
	100/5		2.5*	2.5				
	150/5	2.5*	2.5					
	200/5	2.5*	5					
	250/5	2.5*	5					
Ø12	75/5		2.5*	2.5	/	/	/	
	100/5		2.5*	2.5				
	150/5	2.5*	2.5					
	200/5	2.5*	5					
	250/5	2.5*	5					
	300/5	2.5*	5					
	400/5	2.5*	5					
	500/5	5*	10					
	600/5	5*	10					
	750/5	5*	10					
800/5	5*	10						



规格 Specification	额定电流比 (A) Rated current ratio	准确等级及其相应额定负荷 (Ω) Precision degree and corresponding rated load			穿心匝数 Straight-through turns	母排规格/根数 Bus spec/number	电缆最大外径 (mm) Max. cable outer diameter	安装方式 Mounting made
		0.2级 (Class)	0.5级 (Class)	1级 (Class)				
Ø8	75/1		2.5*	2.5	/	/	/	
	100/1		2.5*	2.5				
	150/1	2.5*	2.5					
	200/1	2.5*	5					
	250/1	2.5*	5					
Ø12	75/1		2.5*	2.5	/	/	/	
	100/1		2.5*	2.5				
	150/1	2.5*	2.5					
	200/1	2.5*	5					
	250/1	2.5*	5					
	300/1	2.5*	5					
	400/1	2.5*	5					
	500/1	5*	10					
	600/1	5*	10					
	750/1	5*	10					
800/1	5*	10						

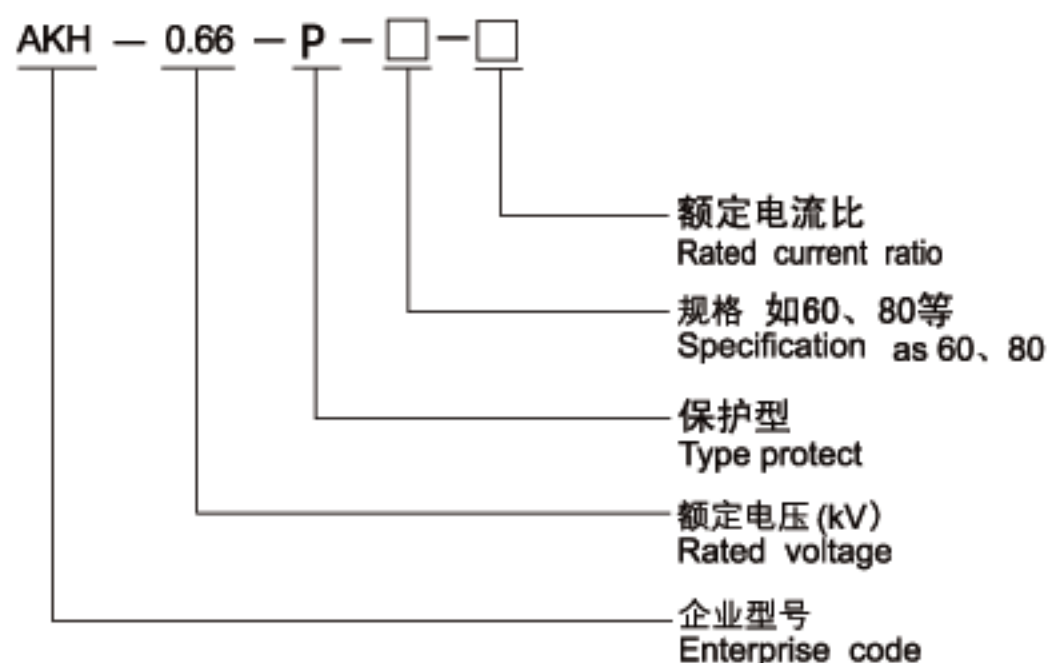
AKH-0.66-P保护型电流互感器 / Type P current transformer

产品特点 Feature of product

AKH-0.66-P型保护电流互感器主要适用于多根母排穿越。作为继电保护用。该产品为保护系统短路故障而开发。具有不同准确级和准确限值系数。可扩展为不同穿孔尺寸。广泛应用于低压配电保护系统。

AKH-0.66-P Series protective current transformer mainly is suitable for passing through of multi-bus, taking role as protective relay to protect system from short circuit fault, have features of various accuracy grades and limiting coefficients, can be expanding to various passing size, is widely used for low voltage power distribution protection system.

型号说明 Explanation for type

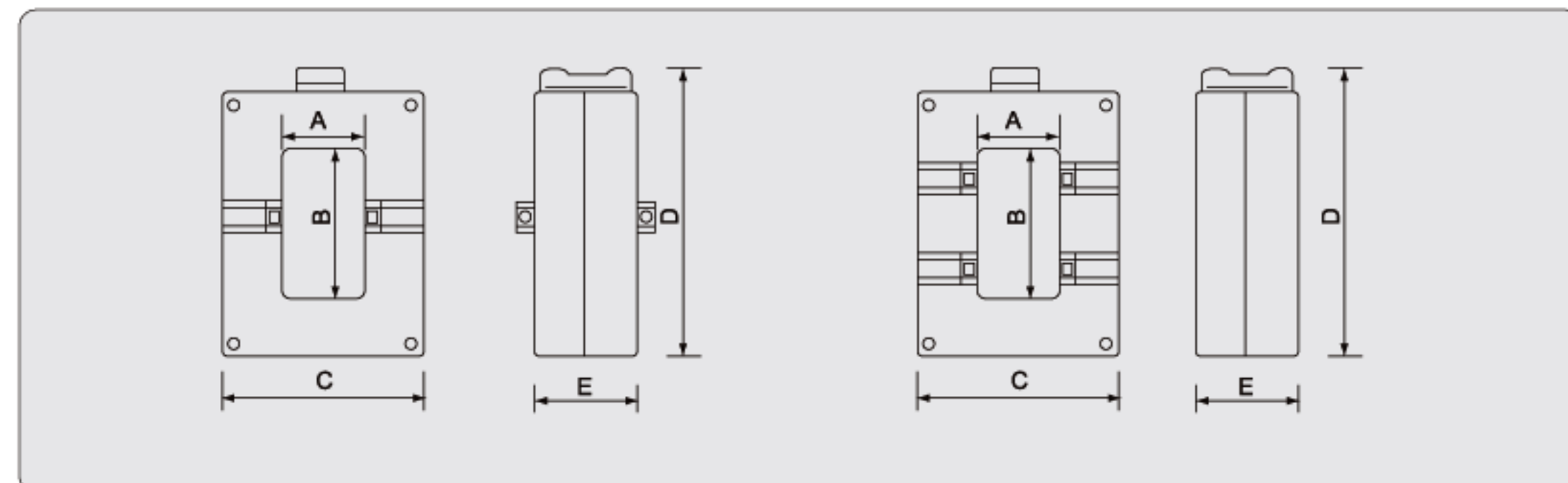


P型规格尺寸 Type P spec.& size

单位(Unit): mm

规格 型式 Type	尺寸 Size	外形尺寸 Outline dimensions			安装尺寸 Mounting size		图形 Figure
		C	D	E	A	B	
P-60III		100	143	56	32	62	图(Figure) 1
P-80III		100	168	56	32	82	图(Figure) 2
P-100III		105	193	56	32	102	图(Figure) 2
P-120III		125	218	56	52	122	图(Figure) 2
P-130III		125	222	57	53	133	图(Figure) 2

规格尺寸 spec.& size



图(Figure) 1

图(Figure) 2

规格参数对照表 Cross-reference tables of spec. -parameter



规格 specification	额定电流比(A) Rated current ratio	准确级及其相应额定负荷 (VA) Precision degree and corresponding rated load			额定电流比(A) Rated current ratio	准确级及其相应额定负荷 (Ω) Precision degree and corresponding rated load			母排规格/ 根数 bus spec/ number
		10P5	10P10	10P15		10P5	10P10	10P15	
P-60III	200/5	5			200/1	5			60×10/ 1-2
	250/5	5			250/1	5			
	300/5	5			300/1	5			
	400/5	5			400/1	5			
	500/5	10	5	2.5	500/1	10	5	2.5	
	600/5	10	5	2.5	600/1	10	5	2.5	
	750/5	10	5	2.5	750/1	10	5	2.5	
	800/5	10	5	2.5	800/1	10	5	2.5	
	1000/5	15	10	5	1000/1	15	10	5	
	1200/5	15	10	5	1200/1	15	10	5	
P-80III	1250/5	15	10	5	1250/1	15	10	5	80×10/ 1-2
	1500/5	20	10	5	1500/1	20	10	5	
	2000/5	20	10	5	2000/1	20	10	5	
	500/5	15	5	2.5	500/1	15	5	2.5	
	600/5	15	5	2.5	600/1	15	5	2.5	
	750/5	15	5	2.5	750/1	15	5	2.5	
	800/5	15	5	2.5	800/1	15	5	2.5	
	1000/5	15	10	5	1000/1	15	10	5	
	1200/5	20	10	5	1200/1	20	10	5	
	1250/5	20	10	5	1250/1	20	10	5	
1500/5	20	10	5	1500/1	20	10	5		
2000/5	20	10	5	2000/1	20	10	5		
2500/5	30	15	10	2500/1	30	15	10		
3000/5	30	15	10	3000/1	30	15	10		

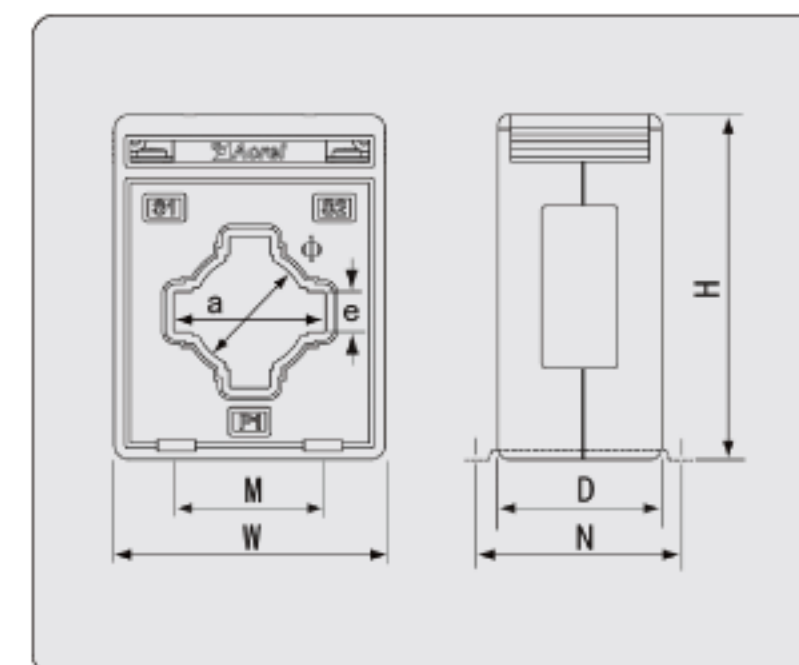
● 规格参数对照表 Cross-reference tables of spec. -parameter

规格 specification	额定电流比(A) Rated current ratio	准确级及其相应额定负荷 (VA) Precision degree and corresponding rated load			额定电流比(A) Rated current ratio	准确级及其相应额定负荷 (VA) Precision degree and corresponding rated load			母排规格/ 根数 bus spec/ number
		10P5	10P10	10P15		10P5	10P10	10P15	
P-100III	600/5	15	5	2.5	600/1	15	5	2.5	100×10/ 1-2
	750/5	15	5	2.5	750/1	15	5	2.5	
	800/5	15	5	2.5	800/1	15	5	2.5	
	1000/5	15	10	5	1000/1	15	10	5	
	1200/5	20	10	5	1200/1	20	10	5	
	1250/5	20	10	5	1250/1	20	10	5	
	1500/5	20	10	5	1500/1	20	10	5	
	2000/5	20	10	5	2000/1	20	10	5	
	2500/5	30	15	10	2500/1	30	15	10	
	3000/5	30	15	10	3000/1	30	15	10	
4000/5	30	15	10	4000/1	30	15	10		
P-120III	800/5	20	10	5	800/1	20	10	5	120×10/ 1-3
	1000/5	20	15	5	1000/1	20	15	5	
	1200/5	20	15	5	1200/1	20	15	5	
	1250/5	20	15	5	1250/1	20	15	5	
	1500/5	20	15	5	1500/1	20	15	5	
	2000/5	20	15	5	2000/1	20	15	5	
	2500/5	30	20	10	2500/1	30	20	10	
	3000/5	30	20	10	3000/1	30	20	10	
	4000/5	30	20	10	4000/1	30	20	10	
	5000/5	30	20	10	5000/1	30	20	10	
P-130III	800/5	20	10	5	800/1	20	10	5	130×10/ 1-3
	1000/5	20	15	5	1000/1	20	15	5	
	1200/5	20	15	5	1200/1	20	15	5	
	1250/5	20	15	5	1250/1	20	15	5	
	1500/5	20	15	5	1500/1	20	15	5	
	2000/5	20	15	5	2000/1	20	15	5	
	2500/5	30	20	10	2500/1	30	20	10	
	3000/5	30	20	10	3000/1	30	20	10	
	4000/5	30	20	10	4000/1	30	20	10	
	5000/5	30	20	10	5000/1	30	20	10	
6300/5	30	20	10	6300/1	30	20	10		



AKH-0.66-P-I 低压电动机保护器专用电流互感器

● 规格尺寸 spec.& size



● I 型规格尺寸 Type I spec & size

单位(Unit): mm

规格 型式 Type	尺寸 Size	外形尺寸 Outline dimensions			穿孔尺寸 Through size			安装尺寸 Mounting size	
		W	H	D	a	e	-	M	N
P-40I		75	98	45	42	11	31	40	57.5
P-60I		102	130	45	61.5	21	45	42	57.5

● 规格参数对照表 Cross-reference tables of spec. -parameter

规格 Specification	额定电流比(A) Rated current ratio	准确级	额定负荷(VA)	过载倍数	安装方式 Mounting made
P-40I	250/0.05	0.5	0.5	10	A、C
P-60I	800/0.1	0.5	1	10	

AKH-0.66 -S 双绕组型电流互感器 / Type S current transformer

产品特点 Product feature

AKH-0.66-S型双绕组电流互感器是专用于系统监控的电流采集元件。

产品具有两个绕组，其一（1S1、1S2）用于一般的电流表测量，额定二次电流为交流5A或1A；其二（2S1、2S2）用于远传遥测，额定二次电流为交流20mA。

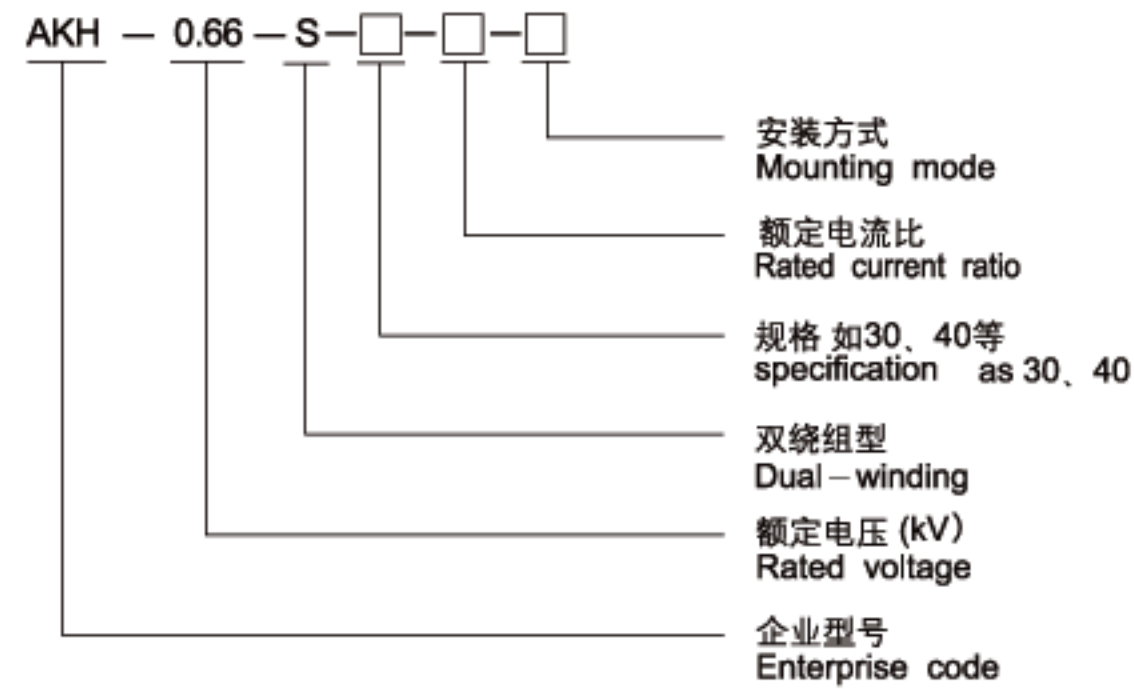
产品结构采用翻盖结构方式，结构新颖，美观大方，安装使用方便。

AKH-0.66-S dual-winding current transformer is specially used for collecting system monitoring current, with two windings,

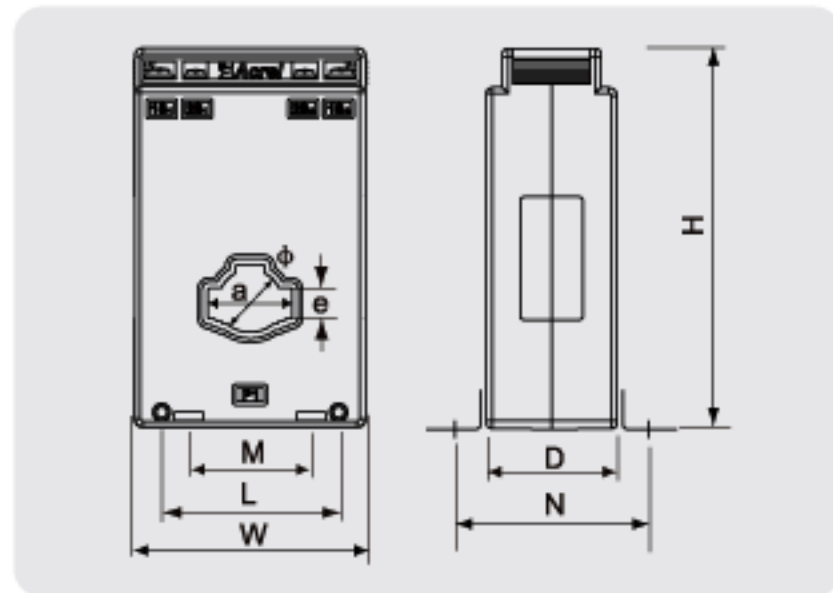
one (1S1,1S2) is used for general current meter measurement(the rated secondary current is 5A/1A), another (2S1,2S2) is used for remote telemetering (the rated secondary current is AC 20 mA).

Product features: Novel flip cover construction, Aesthetic design, easily installing and using.

型号说明 Explanation for type



规格尺寸 spec.& size



I型规格尺寸 Type I spec.& size

单位(Unit): mm

规格 型式 Type	外形尺寸 Outline size			穿孔尺寸 Through size			安装尺寸 Mounting size	
	W	H	D	a	e	φ	M	N
S-30I	85	139	44	31	11	23	45	65
S-40I	85	139	44	42	11	31	45	65
S-50II	96	146	45	52	31	/	53	57.5
S-60II	102	143	45	65	34	/	41	57.5
S-80II	120	148	45	82	32	/	59	57.5
S-100II	150	175	45	103	52	/	80	57.5
S-120II	168	180	50	125	52	/	80	70.5
S-200II	253	180	60	206	56	/	53×3	83

规格参数对照表 Cross-reference tables of spec. -parameter



规格 Specification	额定电流比(A) Rated current ratio	准确级及相应额定负荷(Ω) Precision degree and corresponding rated load			穿心匝数 Straight-through turns	母排规格/ 根数 Bus spec/ number	电缆最大 外径 (mm) Max. cable outer diameter	安装 方式 Mounting made				
		0.2/0.2级 (Class)	0.5/0.2级 (Class)	1/0.2级 (Class)								
S-30I	5/1/0.02		2.5*/0.02	2.5/0.02	15	/	φ22	B、F				
	10/1/0.02		2.5*/0.02	2.5/0.02	8							
	15/1/0.02		2.5*/0.02	2.5/0.02	5							
	20/1/0.02		2.5*/0.02	2.5/0.02	4							
	25/1/0.02		2.5*/0.02	2.5/0.02	3							
	30/1/0.02		2.5*/0.02	2.5/0.02	3							
	40/1/0.02		2.5*/0.02	2.5/0.02	2							
	50/1/0.02		2.5*/0.02	2.5/0.02	2							
	60/1/0.02		2.5*/0.02	2.5/0.02	2							
	75/1/0.02		2.5*/0.02	2.5/0.02	1							
	80/1/0.02		2.5*/0.02	2.5/0.02	1							
	100/1/0.02		2.5*/0.02	2.5/0.02	1							
S-40I	150/1/0.02		2.5*/0.02		1	30x10/1	φ30	B、F				
	200/1/0.02	2.5*/0.02	5.0/0.02		1							
	250/1/0.02	2.5*/0.02	5.0/0.02		1							
	300/1/0.02	2.5*/0.02	5.0/0.02		1							
	400/1/0.02	2.5*/0.02	5.0/0.02		1							
	500/1/0.02	5.0*/0.02	10/0.02		1							
	600/1/0.02	5.0*/0.02	10/0.02		1							
	S-50II	750/1/0.02	5.0*/0.02	10/0.02					1	40x10/1	φ30	C、F
		800/1/0.02	5.0*/0.02	10/0.02					1			
		1000/1/0.02	15/0.02						1			
		1200/1/0.02	20/0.02						1			
		1250/1/0.02	20/0.02						1			
S-60II	600/1/0.02	5.0*/0.02	10/0.02		1	50x10/ 1-2	/	B、C				
	750/1/0.02	5.0*/0.02	10/0.02		1							
	800/1/0.02	5.0*/0.02	10/0.02		1							
	1000/1/0.02	15/0.02			1							
	1200/1/0.02	20/0.02			1							
	1250/1/0.02	20/0.02			1							
	1500/1/0.02	20/0.02			1							
	2000/1/0.02	20/0.02			1							
	S-80II	300/1/0.02	2.5*/0.02	5.0/0.02					1	60x10/ 1-2	/	B、D
		400/1/0.02	2.5*/0.02	5.0/0.02					1			
		500/1/0.02	5.0*/0.02	10/0.02					1			
		600/1/0.02	5.0*/0.02	10/0.02					1			
750/1/0.02		5.0*/0.02	10/0.02		1							
S-80II	800/1/0.02	5.0*/0.02	10/0.02		1	80x10/ 1-2	/	B、D				
	1000/1/0.02	15/0.02			1							
	1200/1/0.02	20/0.02			1							
	1250/1/0.02	20/0.02			1							
	1500/1/0.02	20/0.02			1							

• 规格参数对照表 Cross-reference tables of spec. -parameter



规格 Specification	额定电流比 (A) Rated current ratio	准确级及相应额定负荷(Ω) Precision degree and corresponding rated load			穿心匝数 Straight-through turns	母排规格/根数 Bus spec/number	电缆最大外径 (mm) Max. cable outer diameter	安装方式 Mounting made
		0.2/0.2级 (Class)	0.5/0.2级 (Class)	1/0.2级 (Class)				
S-80II	1250/1/0.02	20/0.02			1	80x10/ 1-2	/	B、D
	1500/1/0.02	20/0.02			1			
	2000/1/0.02	20/0.02			1			
	2500/1/0.02	30/0.02			1			
	3000/1/0.02	30/0.02			1			
S-100II	1000/1/0.02	15/0.02			1	100x10/ 1-3	/	D
	1200/1/0.02	20/0.02			1			
	1250/1/0.02	20/0.02			1			
	1500/1/0.02	20/0.02			1			
	2000/1/0.02	20/0.02			1			
	2500/1/0.02	30/0.02			1			
	3000/1/0.02	30/0.02			1			
4000/1/0.02	40/0.02			1				
S-120II	2000/1/0.02	20/0.02			1	120x10/ 1-3	/	D
	2500/1/0.02	30/0.02			1			
	3000/1/0.02	30/0.02			1			
	4000/1/0.02	40/0.02			1			
S-200II	2000/1/0.02	20/0.02			1	100x10/ 2-6	/	D
	2500/1/0.02	30/0.02			1			
	3000/1/0.02	30/0.02			1			
	4000/1/0.02	40/0.02			1			
	6300/1/0.02	40/0.02			1			

注: 准确级及其相应额定负荷栏中有 "*" 标注的为特殊规格, 订货时请说明。
 Note: If "*" mark appear in column of precision degree and corresponding rated load, this is a special spec. when ordering, please state it clearly.



规格 Specification	额定电流比 (A) Rated current ratio	准确级及相应额定负荷(VA) Precision degree and corresponding rated load			穿心匝数 Straight-through turns	母排规格/根数 Bus spec/number	电缆最大外径 (mm) Max. cable outer diameter	安装方式 Mounting made
		0.2/0.2级 (Class)	0.5/0.2级 (Class)	1/0.2级 (Class)				
S-30I	5/5/0.02		2.5*0.02	2.5/0.02	15	/	φ22	B、F
	10/5/0.02		2.5*0.02	2.5/0.02	8			
	15/5/0.02		2.5*0.02	2.5/0.02	5			
	20/5/0.02		2.5*0.02	2.5/0.02	4			
	25/5/0.02		2.5*0.02	2.5/0.02	3			
	30/5/0.02		2.5*0.02	2.5/0.02	3			
	40/5/0.02		2.5*0.02	2.5/0.02	2			
	50/5/0.02		2.5*0.02	2.5/0.02	2			
	60/5/0.02		2.5*0.02	2.5/0.02	2			
	75/5/0.02		2.5*0.02	2.5/0.02	1			
	80/5/0.02		2.5*0.02	2.5/0.02	1			
	100/5/0.02		2.5*0.02	2.5/0.02	1			
S-40I	150/5/0.02		2.5*0.02		1	30x10/1	φ30	B、F
	200/5/0.02	2.5*0.02	5.0/0.02		1			
	250/5/0.02	2.5*0.02	5.0/0.02		1			
	300/5/0.02	2.5*0.02	5.0/0.02		1			
	400/5/0.02	2.5*0.02	5.0/0.02		1			
	500/5/0.02	5.0*0.02	10/0.02		1			
	600/5/0.02	5.0*0.02	10/0.02		1			
	750/5/0.02	5.0*0.02	10/0.02		1			
S-50II	600/5/0.02	5.0*0.02	10/0.02		1	50x10/ 1-2	/	B、C
	800/5/0.02	5.0*0.02	10/0.02		1			
	1000/5/0.02	15/0.02			1			
	1200/5/0.02	20/0.02			1			
	1250/5/0.02	20/0.02			1			
	300/5/0.02	2.5*0.02	5.0/0.02		1			
S-60II	400/5/0.02	2.5*0.02	5.0/0.02		1	60x10/ 1-2	/	B、D
	500/5/0.02	5.0*0.02	10/0.02		1			
	600/5/0.02	5.0*0.02	10/0.02		1			
	750/5/0.02	5.0*0.02	10/0.02		1			
	800/5/0.02	5.0*0.02	10/0.02		1			
	1000/5/0.02	15/0.02			1			
	1200/5/0.02	20/0.02			1			
	1250/5/0.02	20/0.02			1			
	1500/5/0.02	20/0.02			1			
	2000/5/0.02	20/0.02			1			
S-80II	600/5/0.02	5.0*0.02	10/0.02		1	80x10/ 1-2	/	B、D
	750/5/0.02	5.0*0.02	10/0.02		1			
	800/5/0.02	5.0*0.02	10/0.02		1			
	1000/5/0.02	15/0.02			1			
	1200/5/0.02	20/0.02			1			



规格 Specification	额定电流比 (A) Rated current ratio	准确级及相应额定负荷(VA) Precision degree and corresponding rated load			穿心匝数 Straight-through turns	母排规格/根数 Bus spec/number	电缆最大外径 (mm) Max. cable outer diameter	安装方式 Mounting made
		0.2/0.2级 (Class)	0.5/0.2级 (Class)	1/0.2级 (Class)				
S-80II	1250/5/0.02	20/0.02			1	80x10/ 1-2	/	B, D
	1500/5/0.02	20/0.02			1			
	2000/5/0.02	20/0.02			1			
	2500/5/0.02	30/0.02			1			
	3000/5/0.02	30/0.02			1			
S-100II	1000/5/0.02	15/0.02			1	100x10/ 1-3	/	D
	1200/5/0.02	20/0.02			1			
	1250/5/0.02	20/0.02			1			
	1500/5/0.02	20/0.02			1			
	2000/5/0.02	20/0.02			1			
	2500/5/0.02	30/0.02			1			
	3000/5/0.02	30/0.02			1			
	4000/5/0.02	40/0.02			1			
S-120II	2000/5/0.02	20/0.02			1	120x10/ 1-3	/	D
	2500/5/0.02	30/0.02			1			
	3000/5/0.02	30/0.02			1			
	4000/5/0.02	40/0.02			1			
	5000/5/0.02	40/0.02			1			
S-200II	2000/5/0.02	20/0.02			1	100x10/ 2-6	/	D
	2500/5/0.02	30/0.02			1			
	3000/5/0.02	30/0.02			1			
	4000/5/0.02	40/0.02			1			
	5000/5/0.02	40/0.02			1			
	6300/5/0.02	40/0.02			1			

注: 准确级及其相应额定负荷栏中有 "*" 标注的为特殊规格, 订货时请说明。
Note: If "*" mark appear in column of precision degree and corresponding rated load, this is a special spec. when ordering, please state it clearly.

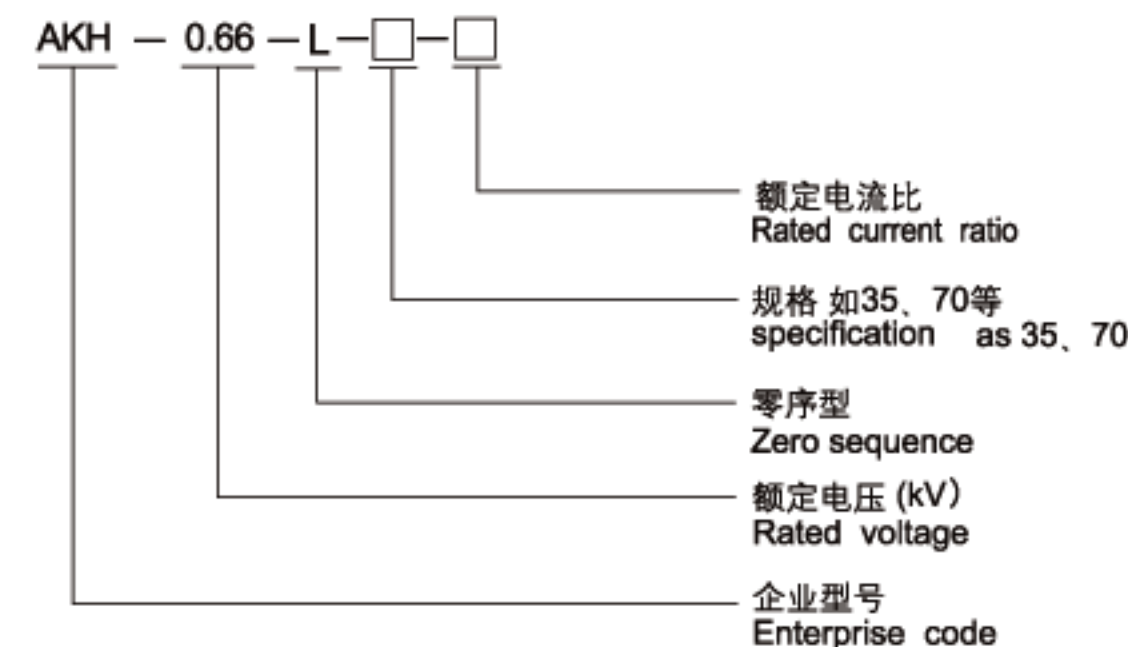
AKH-0.66 -L 剩余电流互感器 / Type L current transformer

产品特点 Product feature

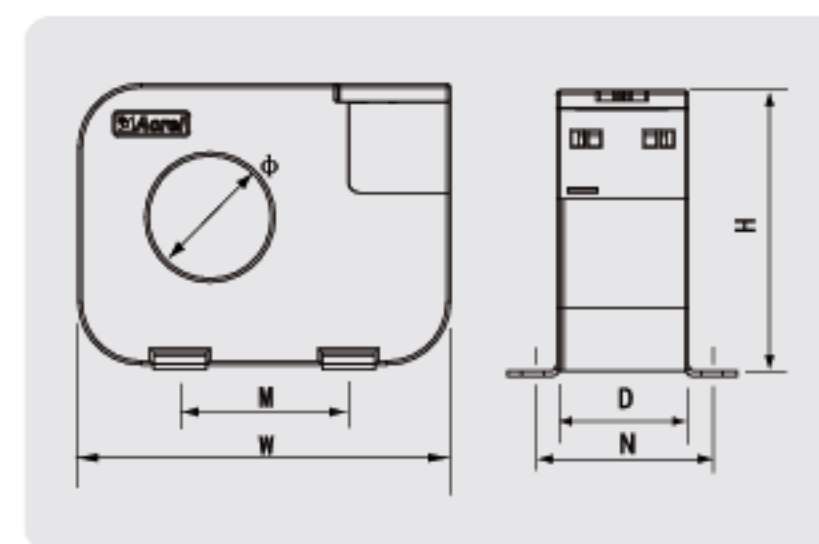
AKH-0.66-L型电流互感器是专用于剩余电流的采集, 与电气测控装置配套使用。
该产品二次可有二路输出, 一路输出0-20mA或0-2mA, 一路输出1V。

AKH-0.66-L current transformer is specially used for collecting residual current, and matching the electric measuring unit.
This product has two output channels, one channel with output of 0-20 mA or 0-2 mA, another channel with output of 1V.

型号说明 Explanation for type



规格尺寸 spec.& size

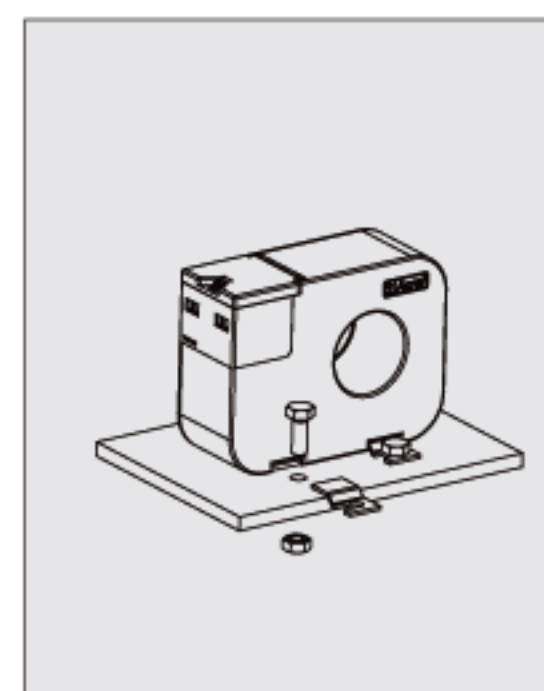


I型规格尺寸 Type I spec.& size

单位(Unit): mm

规格 Type	外形尺寸 Outline size			穿孔尺寸 Through size	安装尺寸 Mounting size	
	W	H	D	φ	M	N
L-35	106	80	32.5	35	48	51
L-70	136	110	32.5	70	66	51
L-105	176	150	32.5	105	92	51

规格参数对照表 Cross-reference tables of spec. -parameter



规格 Specification	一次电流 (A)	二次输出信号	准确级	额定负荷 (VA)	过载倍数	安装方式 Mounting made
L-35	5	20mA	0.5	0.2	8	G
	5	2mA	0.2	0.02	10	
	5	1V	1		10	
L-70	5	20mA	0.5	0.2	8	G
	5	2mA	0.2	0.02	10	
	5	1V	1		10	
L-105	5	20mA	0.5	0.2	8	G
	5	2mA	0.2	0.02	10	
	5	1V	1		10	

1.6 注意事项 Notice

- ◆ 工作电压不得超过0.66kV;
- ◆ 运行中严禁二次开路,以防高电压产生,当通电时发生开路现象,需进行退磁处理,以减少误差;
- ◆ 当选用压紧母排衬垫固定方式安装时,必须和衬垫组合使用,以增大受力面积和避免环流。

- ◆ The working voltage does not exceed 0.66kV;
- ◆ When running, the secondary open circuit is forbidden to prevent high voltage, if during energizing, the open circuit occurs, the demagnetization is needed to reduce error;
- ◆ When selected mounting mode is fixing by pressing out the bus pad, combining proper pad is a must to increase bearing area and avoid circulating current.

1.7 订货须知 Notice for ordering

- ◆ 需注明互感器型号、额定电流比、准确级及额定容量等;
- ◆ 需注明安装方式;
- ◆ 如有特殊要求,可与我公司联系,以便按需订制。

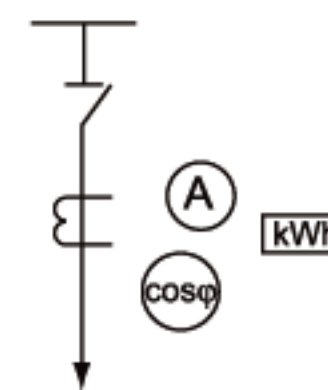
- ◆ Specify type of transformer, rated current ratio, degree of precision, rated capacity etc. clearly;
- ◆ Specify mounting mode clearly;
- ◆ If special requirement is needed, please contact with us, in order to fabrication as your request.

附录1

互感器选用的额定容量应大于负荷阻抗

互感器在使用调试过程中,时有反馈信息:“电流表指示与实际电流值偏差较大”,进而怀疑“互感器质量有问题”,究其原因:“设计选用额定容量偏小,总负荷阻抗大于额定容量,实非互感器质量问题所引起。”

为明确起见,现举例说明:某配电装置,如在现场或中央两处测量和计量,导线截面2.5mm²,相距70米,应选用的互感器额定容量将不同(忽略接触电阻)。



二次电流(A)	3 (中央)		60 (现场)	
	1	5	1	5
测量导线	0.042	1.05	0.84	21
电流表	0.4	0.4	0.4	0.4
功率因数表	0.5	0.5	0.5	0.5
电度表	1.5	1.5	1.5	1.5
负荷容量	2.44	3.45	3.25	23.4
互感器容量	2.5	5	5	30

上表摘录的数据详见下面表1和表2。

测量回路的功耗(VA)/电阻(Ω)

表1

电线截面(mm ²)	二次电流(A)	传输距离(M)									
		1		2		5		8		10	
1.5	1	0.023	0.023	0.047	0.047	0.117	0.117	0.188	0.188	0.235	0.235
	5	0.59		1.17		2.93		4.69		5.86	
2.5	1	0.014	0.014	0.028	0.028	0.071	0.071	0.112	0.114	0.14	0.142
	5	0.35		0.7		1.76		2.82		3.52	
4	1	0.009	0.009	0.018	0.018	0.044	0.044	0.071	0.071	0.088	0.089
	5	0.22		0.44		1.10		1.76		2.2	
6	1	0.006	0.006	0.012	0.012	0.029	0.029	0.468	0.468	0.058	0.058
	5	0.15		0.29		0.73		1.17		1.47	
10	1	0.004	0.004	0.007	0.007	0.018	0.018	0.028	0.028	0.035	0.035
	5	0.09		0.18		0.44		0.7		0.88	

常用仪表功耗一览表(参考值) 表2

仪表名称		仪表型号	每个电流线圈			
			内阻(Ω)	功耗(VA)	个数	
数显电流表	单相	CL48、CL72、CL80、CL96、CL96B、CL42、CL46、CL16	<0.0015	<0.05	1	
	三相	CL72、CL80、CL96、CL42			3	
可编程数显表	单相	PZ72、PZ80、PZ96、PZ96B、PZ16、PZ42、PZ46			1	
	三相	PZ80、PZ96、PZ42			3	
数显功率表	CL72、CL80、CL96、CL96B、CL42、CL46、CL16	2				
功率因数表	PZ96、PZ42、PZ46、PZ16	1				
多功能电力仪表	ACR系列	3				
指针式电流表	整流系	42L、6L、63L、45L			0.2~0.4	1
	电磁系	1T1、63T			0.6~1.2	1
指针式功率表	整流系	42L、6L、63L、45L			0.25~0.6	1
	电动系	1D5、63D	<6	2		
				3		
指针式功率因数表	整流系	42L、6L、63L、45L	0.4~0.8	1		
	电动系	1D1	<6			
电度表	单相	DD862	1~2	1		
	三相三线	DS862、864、DX865、863	0.3~1	2		
	三相四线	DT862、864、DX862、864	0.6~1	3		
BD系列电量变送器	BD-AI(AI3)		<0.0015	<0.05	1(3)	
	BD-3P(4P)		<0.0015	<0.05	2(3)	
	BD-3P/Q/I		<0.0015	<0.05	2	
	BD-PF		<0.0015	<0.05	1	

附录2

电工测量和计量仪表与互感器间准确级配置

● 测量仪表

通常电压表、电流表、功率表准确级为1.5~2.5级;频率表为0.5级;与仪表连接的分流器、附加电阻,电量变送器为0.5级。相配置的互感器准确级,如仅作电压、电流测量用,一般不低于1级,非重要回路电流表(2.5级),可使用3级;如组合使用,应不低于回路内仪表的最高准确级。

● 计量仪表

根据《电能计量装置管理规定》(DL448-91)的有关规定:

表1

电能计量装置分类	有功电能表准确级	无功电能表准确级	电压互感器准确级	电流互感器准确级
I	0.5	2.0	0.2	0.2或0.2s
II	1.0	2.0	0.2	0.2或0.2s
III	1.0	2.0	0.2	0.5或0.5s
IV	2.0	3.0	0.5	0.5或0.5s

上表中电能计量装置分类系根据用电量和重要程度划分:

表2

电能计量装置分类	月平均用电量(10 ⁴ kW.H)	变压器容量(kVA)	发电机容量(10 ⁴ kW)	其他规定
I	≥100	≥2000(高压)	≥10	跨省电网
II	≥10	≥315(高压)	≤10	总厂用电线路
III	≤10	≤315(低压)		省内电网 110kV及以上 有功电量平衡考核
IV		≤315(低压)		企业内部指标分析用

附录3

为什么推荐选用规格为1A的电流互感器

国标GB 1208-2006《电流互感器》第4.2.2项中规定,额定二次电流标准值为1A、2A和5A,优先值5A.当传输距离较大时,1A和5A相比有较多优点:

- 线路功耗降低,线路功耗与通过电流平方成正比,二次电流为1A的互感器和5A相比降低功耗25倍,即1A的功耗仅5A的4%.在设计1A系统时,一般只需计算测量和保护仪表的阻抗(忽略接触电阻)。

测量线路的功耗(VA) 表1

电线截面(mm ²)	二次电流(A)	传输距离(m)				
		1	2	5	8	10
1.5	1	0.023	0.047	0.117	0.188	0.235
	5	0.59	1.17	2.93	4.68	5.86
2.5	1	0.014	0.028	0.07	0.112	0.14
	5	0.35	0.70	1.76	2.82	3.52
4	1	0.009	0.018	0.044	0.070	0.088
	5	0.22	0.44	1.1	1.76	2.2

- 传输距离加大:电流互感器二次负载计算公式 $S=I^2Z$,在相同负载下,二次电流为1A互感器的传输距离是5A的25倍,这样可避免选5/1A中间互感器或选用大容量互感器。

不同额定容量时的传输距离(m) 表2

额定容量(VA)	电流规格(A)	电线截面(mm ²)			
		1	1.5	2.5	4
2.5	1	71	106.5	178	284
	5	2.8	4.3	7.1	11.4
5	1	142	213	355	568
	5	5.7	8.5	14.2	22.7
10	1	284	426	710	1136
	5	11.4	17	28.4	45.5

- 电线截面减小:大中型工厂,当仪表和互感器安装距离较远(例如80米),从表2可以看出,当选用5A、10VA互感器,电线截面经计算需8mm²,如选用1A、2.5VA互感器,电线截面仅需1.5mm²。

目前随着计算机和数控仪表的普及和发展,额定二次电流为1A及以下规格的电流互感器选型已较普遍。

2. BA系列交流电流传感器

2.1 概述 General

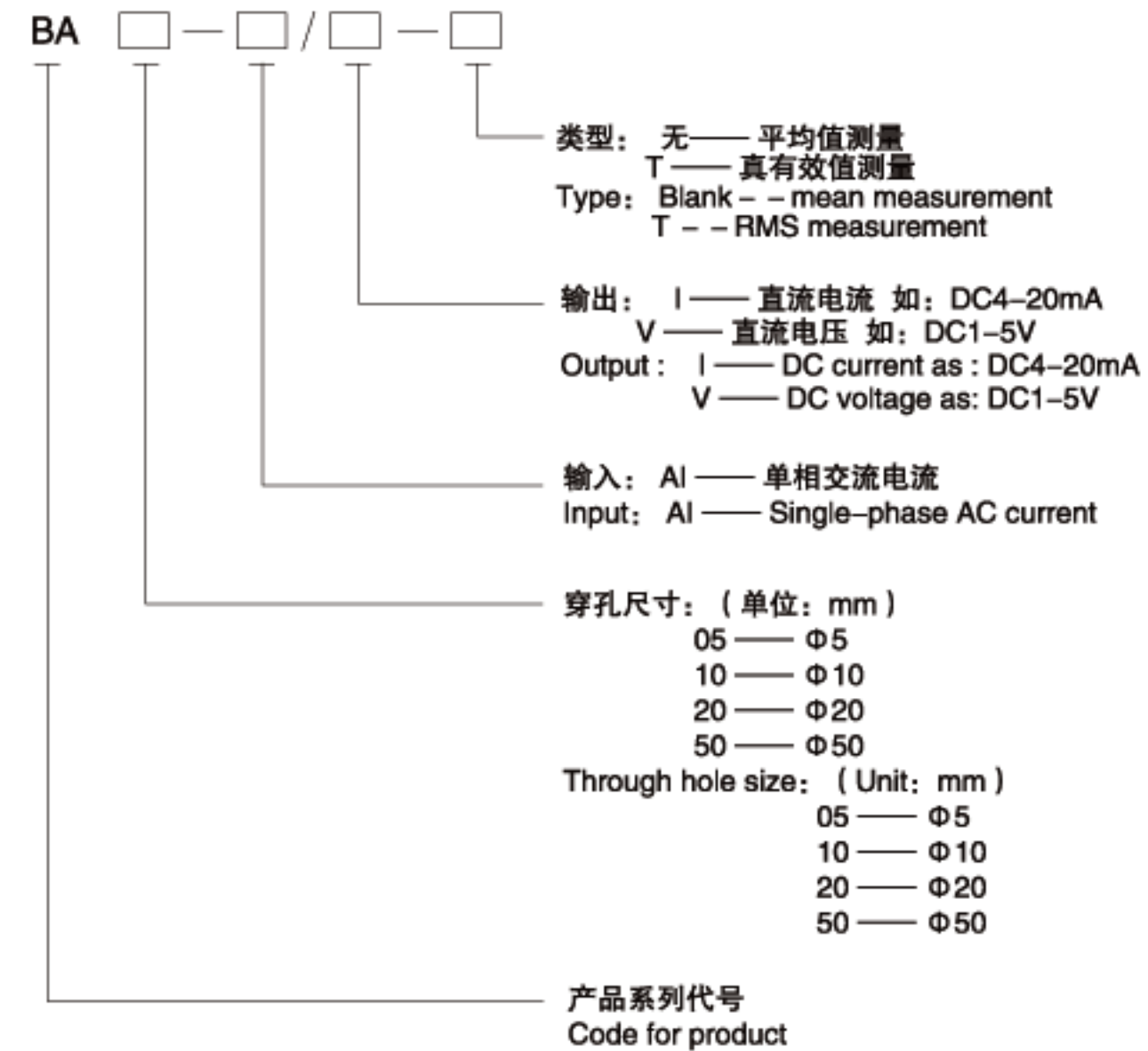
BA系列产品应用电磁感应原理,对电网中的交流电流进行实时测量,采用精密恒流技术和线性温度补偿技术,将其隔离变换为标准的直流信号输出。24伏或12伏安全电压供电,具有过载能力强、高精度、高隔离、高安全性、低功耗等特点,可广泛用于工业自动化领域。

产品符合GB/T 13850-1998、GB 1208-2006

BA series products use the electromagnetic induction principle, real time measure AC current in the grid, adopt the precise constant current technology and the linear temperature o compensation technology, change its isolation as standard DC signal output. It adopt safe power of 24V or 12 V, has advantages of high overload capacity, high precision, high isolation, high safety, low power consumption etc, is suitable for widely used in industrial automation applications.

This product conforms to standards of GB/T 13850-1998, GB 1208-2006

2.2 型号说明 Type explanation

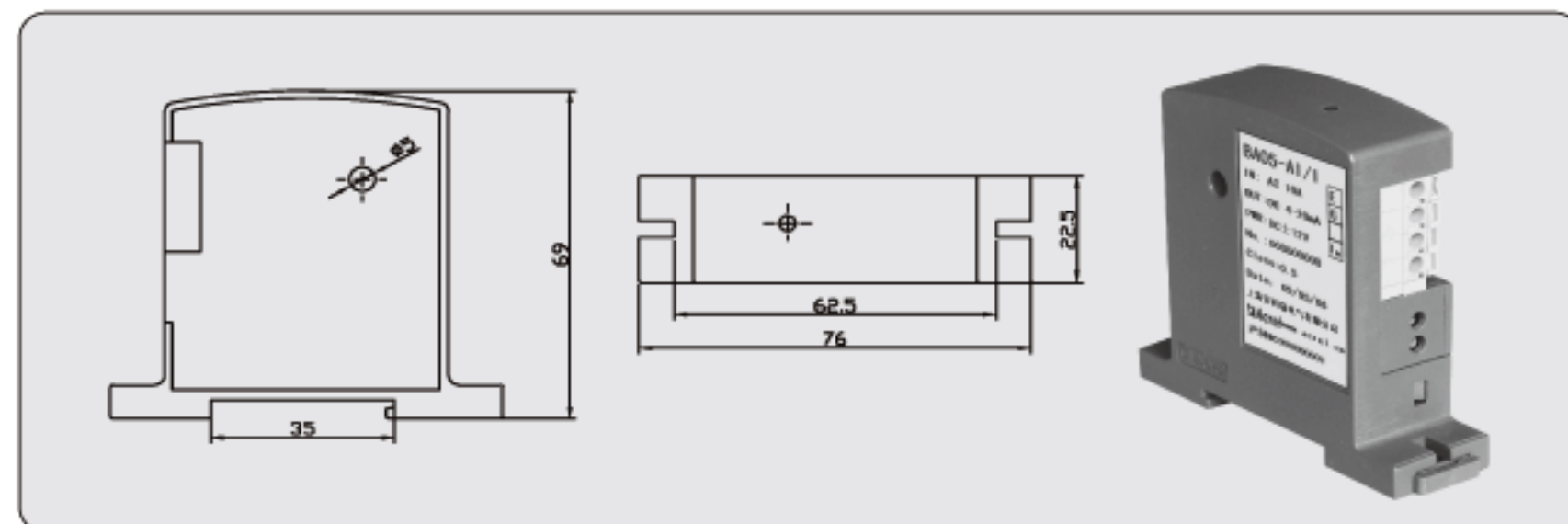


2.3 技术指标 Technical data

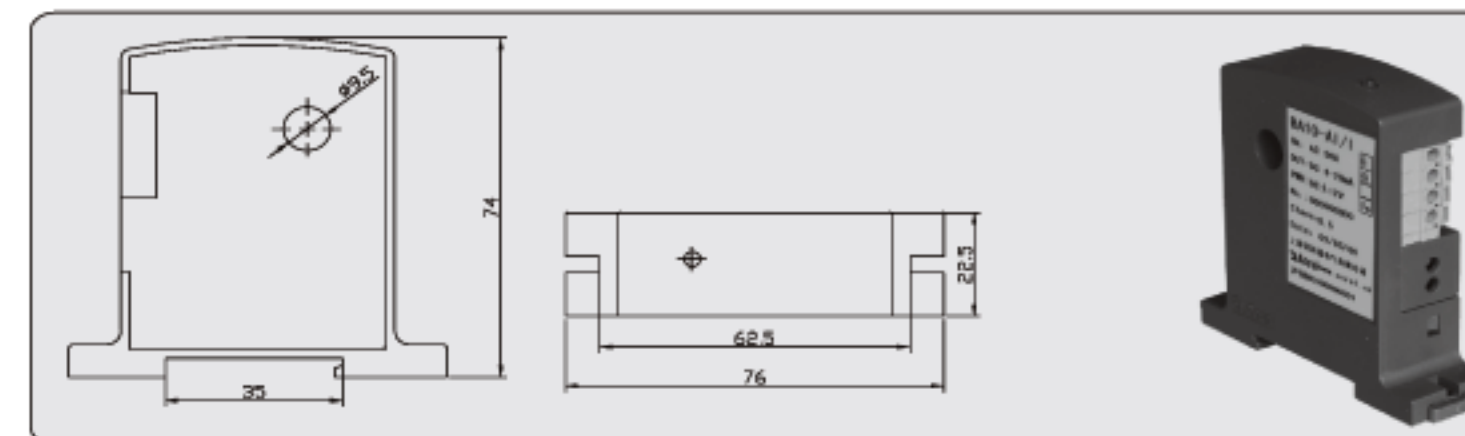
产品型号 Type of product		BA05-AI	BA10-AI	BA20-AI	BA50-AI
输入 Input	穿孔 Through hole	Φ5mm	Φ10mm	Φ20mm	Φ50mm
	标称值 Nominal value	AC0.5 ~ 10A	AC8 ~ 50A	AC40 ~ 200A	AC60 ~ 600A
	过载 Overload	持续1.2倍, 瞬时电流10倍5秒 Continuing 1.2 times, instantaneous current 10 times, 5-second			
	频率 Frequency	25Hz ~ 5kHz			
输出 Output	标称值 Nominal value	DC4~20mA, DC0~20mA, DC1~5V, DC0~5V			
	负载电阻 Load resistance	输出为电流时负载≤400Ω (12V供电) 或≤800Ω (24V供电); 输出为电压时负载≥1kΩ Output current load≤400Ω (12V power) or ≤800Ω (24V power); Output voltage load≥1kΩ.			
	纹波含量 Ripple content	< 0.5%峰值 < 0.5% Peak value			
精度等级 Degree of precision		0.5, 0.2			
响应时间 Response time		≤350ms			
电源 Power supply	电压 Voltage	DC12V或(or)DC24V			
	功耗 Consumption	DC12V时≤0.5VA; DC24V时≤1VA			
绝缘电阻 Insulation resistance		≥100MΩ			
耐压强度 Voltage withstand strength		输入与端子(输出与电源共地)之间AC3kV, 1min Between input and terminal (output and power supply) AC3kV, 1min			
温度系数 Temperature coefficient		≤200ppm			
平均无故障工作时间 average work time without stoppage		≥50000h			
环境 Environment	温度 Temperature	工作(Working): -25 ~ +70°C; 存储(Storage): -40 ~ +80°C			
	湿度 Humidity	≤90%RH, 不结露, 无腐蚀性气体场所 ≤90%RH, Place without condensation and corrosive gas			
	海拔 Altitude	≤2000m			
安装方式 Mounting mode		TS35导轨, 或用螺钉固定柜体上 TS 35 guide rail, or fixing with screw onto cubicle body			

2.4 外形尺寸 Outline dimension

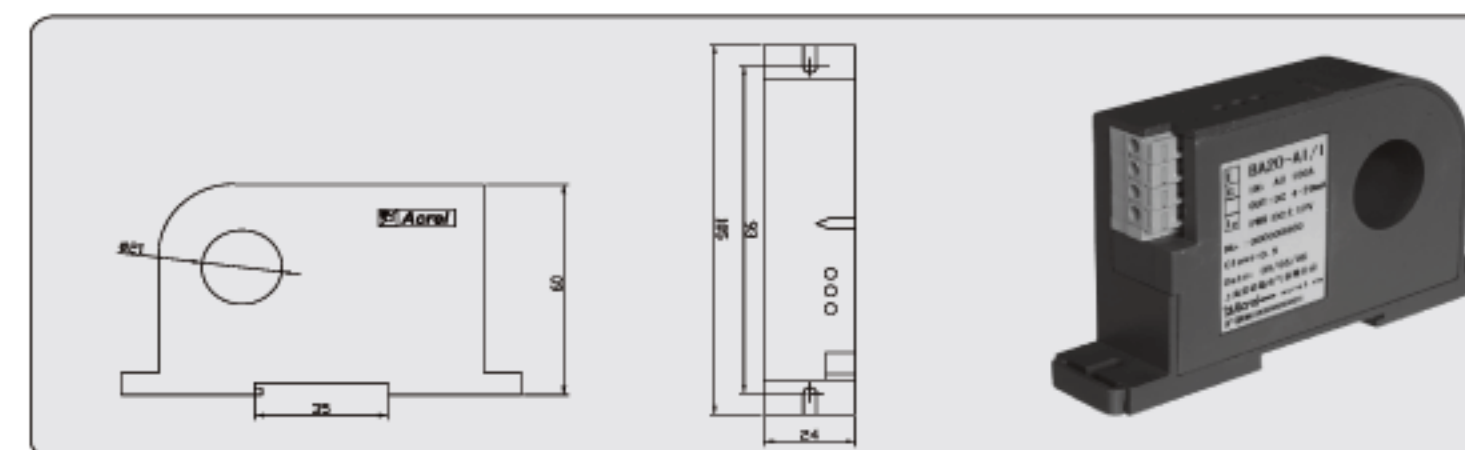
BA05 电流传感器 BA05 Current transmitter



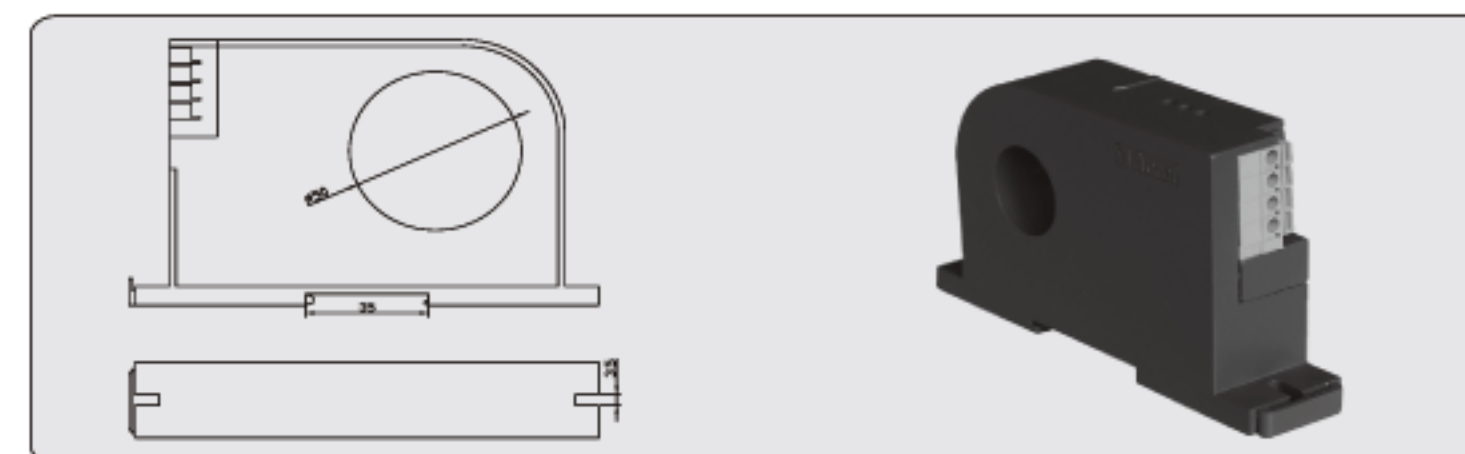
BA10 电流传感器 BA10 Current transmitter



BA20 电流传感器 BA20 Current transmitter

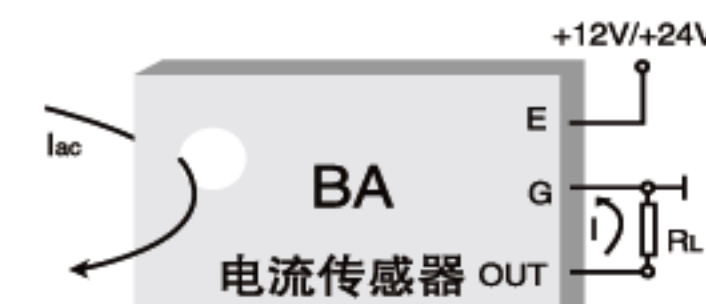


BA50 电流传感器 BA50 Current transmitter



2.5 接线示例 Example for wiring

如图一所示: 穿心输入 I_{ac} ,
As shown in figure 1: through hole input I_{ac} ,
电流输出型(OUT: I_{dc})传感器的输出为共地电流源;
For current output (OUT: I_{dc}), the output of transmitter is common ground current source;
电压输出型(OUT: V_{dc})传感器的输出为共地电压源。
For voltage output (OUT: V_{dc}), the output of transmitter is common ground voltage source.
图中 R_L 是用户负载, 输出为电流时, 负载 ≤ 400Ω (12V供电) 或 ≤ 800Ω (24V供电); 输出为电压时负载 ≥ 1kΩ。
In diagram, R_L is user's load, Output current load ≤ 400Ω (12V power) or ≤ 800Ω (24V power); Output voltage load ≥ 1kΩ.



2.6 订货范例 Example for ordering

例 型 号 Type: BA05-AI/I
 辅助电源 Auxiliary Power Supply: DC12V
 输入 Input: AC5A
 输出 Output: DC4 ~ 20mA
 精度 Accuracy class: 0.5
 可简写成: BA05-AI/I DC12V AC5A/DC4 ~ 20mA-0.5

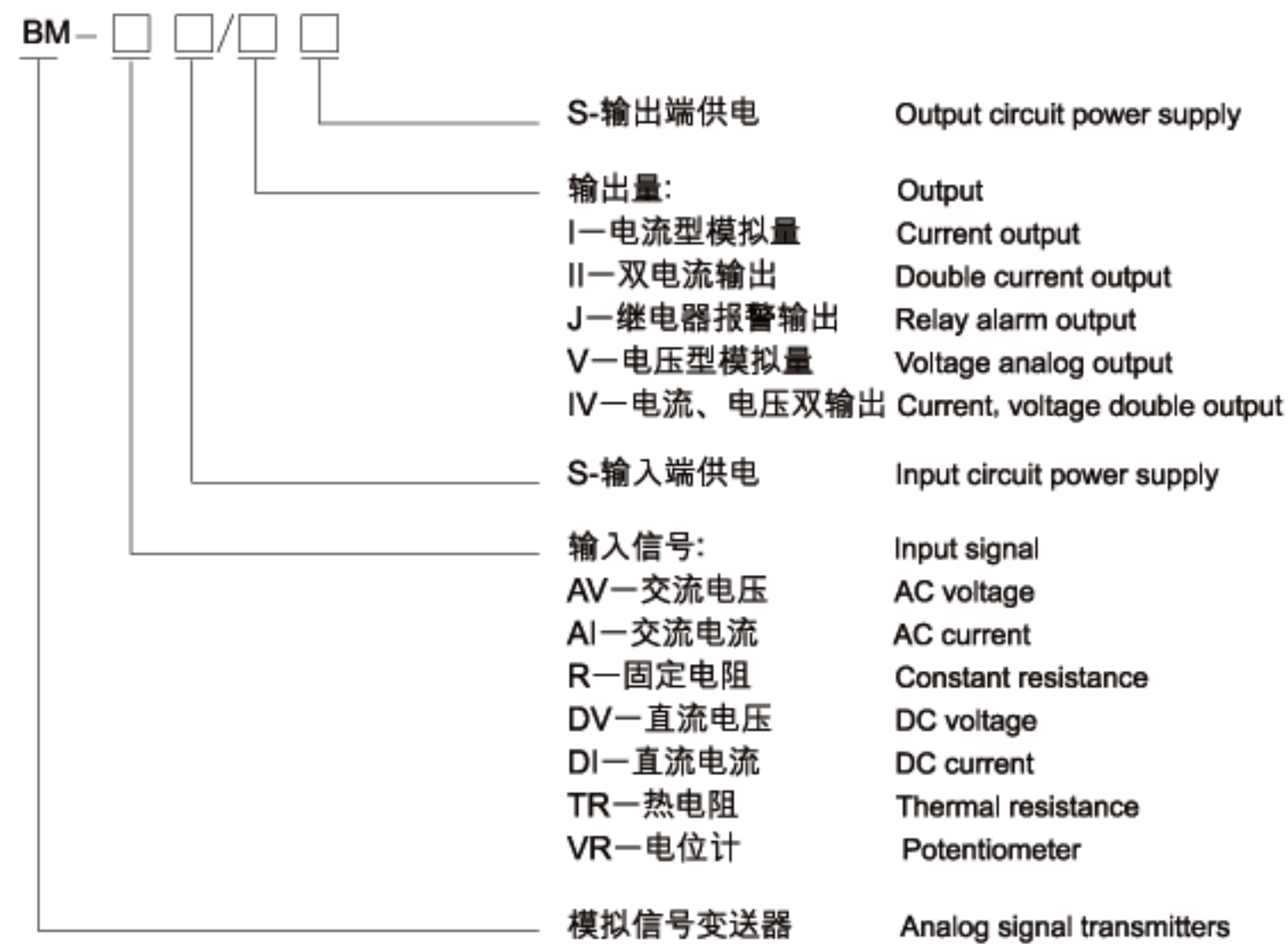
3. BM系列模拟信号变送器

3.1 概述 General

BM系列模拟信号变送器可以对电流、电压等电量参数或温度、电阻等非电量参数，进行高速精确测量，经隔离转换成标准的模拟信号输出。既可直接与指针表，数显表相接，也可以与自控仪表(如PLC)、各种A/D转换器、以及计算机系统配接。

Series BM analog signal transmitters can make high accurate measurement of electric parameters (current, voltage) or non-electric parameters(temperature, resistance), isolate and transmit into standard analog output. It can directly connect pointer meters, digital display meters, and matches with automation meters (PLC), kinds of A/D converter, computer system.

3.2 型号说明 Type explanation



3.3 BM变送器选型表 BM transmitters selection table

输入形式 Input form	输入范围 Input range	输出范围 Output range	附加电源 Additional power supply	输入 / 输出 隔离电压 Input/output isolation voltage	输出设置 Output setup	其他特点 Other characteristic	型号 Type
直流电流 DC current	0-1 mA 0-20 mA 4-20 mA	4-20 mA	/	2000V	2线(wire) 8.5-40VDC	输出回路供电 Output circuit power supply	BM-DI/IS
交流电流 AC voltage	0-1Aac 0-5 Aac 跳线选择 Jump wire choice	4-20 mA	/	2000V	2线(wire) 8.5-40VDC	输出回路供电 Output circuit power supply	BM-AI/IS

输入形式 Input form	输入范围 Input range	输出范围 Output range	附加电源 Additional power supply	输入/输出 隔离电压 Input/output isolation voltage	输出设置 Output setup	其他特点 Other characteristic	型号 Type
直流电流 DC current	4-20mA	4-20mA	/	2000V	输入回路自供电 Input circuit self-power supply	输出端无外加电源 No power supply in addition at output end	BM-DIS/I
	4-20mA	4-20mA One input and two output	24 V DC	2000V	独立两路 2-way independence		BM-DI/II
	4-20mA 0-20mA	4-20mA 0-20mA 0-10V; 0-5V	24V DC	2000V	4线 (wire)		BM-DI/I BM-DI/V
	0-20mA	2个带设定控制 的继电器 (Relay with set point control)	AC、DC 85-270V	1500V	2个转换触点 (Change-over contact)		BM-DI/J
直流电压 DC voltage	0-1V; 0-5V; 0-10V; 1-5V; 0-10 mV; 1-50 mV; 0-75mV; 1-100 mV; 0-500 mV	4-20mA	/	2000V	2线 (wire) 8.5-40VDC	输出回路供电 Output circuit power supply	BM-DV/IS
	0-10V; 0-5V	4-20mA 0-20mA 0-10V;0-5V	24V DC	2000V	4线 (wire)		BM-DV/II BM-DV/V
	0-10V	2个带设定控制 的继电器 (Relay with set point control)	AC、DC 85-270V	1500V	2个转换触点 (Change-over contact)		BM-DV/J
交流电压 AC voltage	0-125V AC 0-250V AC 0-450V AC	4-20 mA	/	2000V	2线 (wire) 8.5-40VDC	输出回路供电 Output circuit power supply	BM-AV/IS
热电阻 Thermal resistance	Pt100 0-50 ℃; 0-100 ℃ 0-150 ℃; 0-200 ℃ 0-250 ℃; 0-300 ℃	4-20mA	/	2000V	2线 (wire) 8.5-40VDC	输出回路供电 Output circuit power supply	BM-TR/IS
电阻 Resistance	0-100Ω; 0-1kΩ 0-5kΩ; 0-10kΩ	4-20mA	/	2000V	2线 (wire) 8.5-40VDC	输出回路供电 Output circuit power supply	BM-R/IS
电位计 Potentiometer	0-350Ω (~10kΩ)	4-20mA	/	2000V	2线 (wire) 8.5-40VDC	输出回路供电 Output circuit power supply	BM-VR/IS

3.4 两线制输出回路供电隔离器 Two wire output circuit powered isolators

■ 用途 / Usage

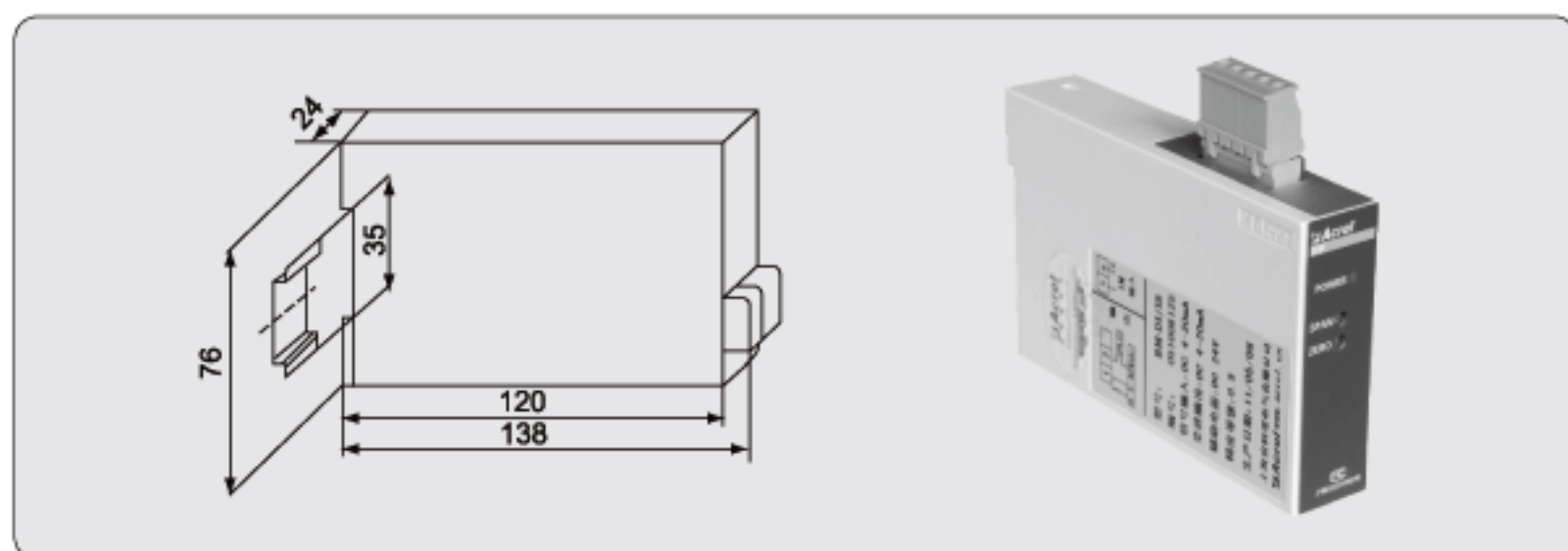
输出回路供电的二线制直流隔离器，可以将现场的直流电流、电压信号隔离变为4-20mA输出。模块内有浪涌保护电路，适用于恶劣环境。

Two wire system DC isolator of output circuit power supply isolates DC current, voltage signal in site and exports 4-20mA. The module contains surge protection circuit, so it fits for foul environment.

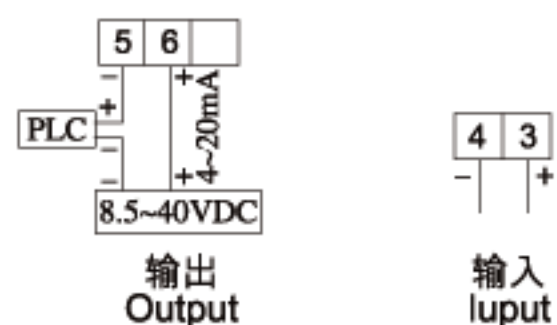
■ 产品规格 / Specification

BM-DV/IS
BM-DI/IS

■ 外形尺寸 / Outline dimension



■ 接线方式 / Wiring



■ 技术数据 / Technical data

技术参数 Technical parameter	指标 Value
输入 Input	范围 Range 电流(Current): 4-20 mA, 0-1 mA, 0-20 mA, 电压(Voltage): 0-1V, 0-5V, 0-75 mV 等
	阻抗 Impedance 电流(Current): 0(4)-20 mA, 100 Ω; 0-1 mA, 1k Ω; 电压(voltage) ≥ 100 k Ω
	过载 Overload 电流(Current): 100 mA或1W; 电压(Voltage): 0-10V时, 50V
输出 Output	范围 Range 4-20mA
	负载 Load resistance $R_{max} = [(V_s - 8.5) / 0.02] \Omega, 0-1575 \Omega (8.5-40V)$
	零点调节 Zero adjustment 5%
	量程调节 Range adjustment 5%
保护 Protection 短路保护 Short protection	
电源 Power supply	范围 Range 直流电压 (DC voltage) 8.5-40V DC, 一般(Commonly) 24V DC/2W
	最大电流 Max current 24mA

其它 Other	精度 / 线性 Accuracy / Linearity	最大满量程 (Full scale) 0.15%
	温度效应 Temperature effect	≤ 200ppm
	响应时间 Response time	< 500ms
	隔离电压 Isolation voltage	2000V, 输入对输出 (Between input / output)
	工作 / 贮藏温度 Work / storage temperature	0-70/-20~+85 °C
	导线尺寸 / 剥线长度 Wire dimension / peel line length	0.5-4.0mm ² /7mm

3.5 一进二出隔离器 One input and two output isolator

■ 用途 / Usage

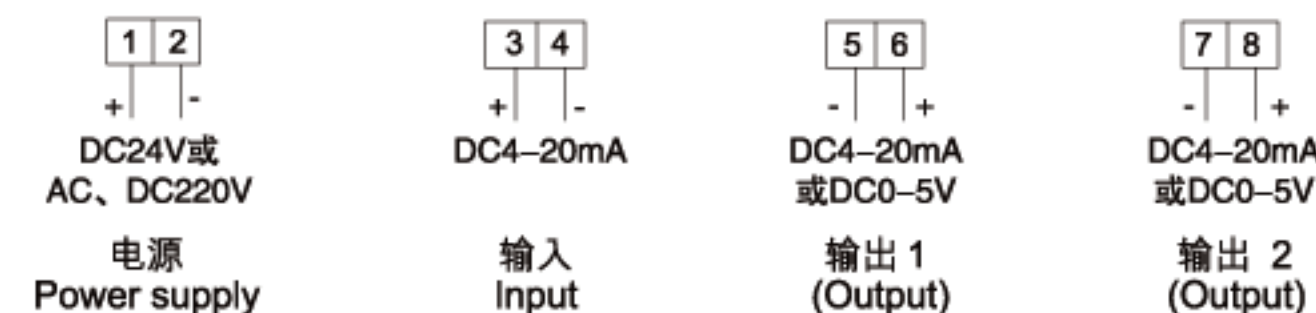
该模块将一路直流电流或电压信号输入，隔离变送输出二路相互独立的模拟量，可应用在一个现场变送器产生一路信号到PLC、另一路接现场指示器。该模块只有一个单独的输入回路，输入压降几乎恒定，不大于3.5V，与负载没有关系。光耦隔离同时能达到2000V的隔离电压。

The module input one channel DC current or voltage signal, isolates, transmits and output 2-channel analog signal independently. It is used in one field transmitter to produce one-channel signal to PLC, and another channel signal to field indicator. The module has only one separate input circuit; input voltage drop is no more than 3.5V, almost invariableness, and has no relation with Load resistance. Isolation voltage reaches 2000V by optoisolator.

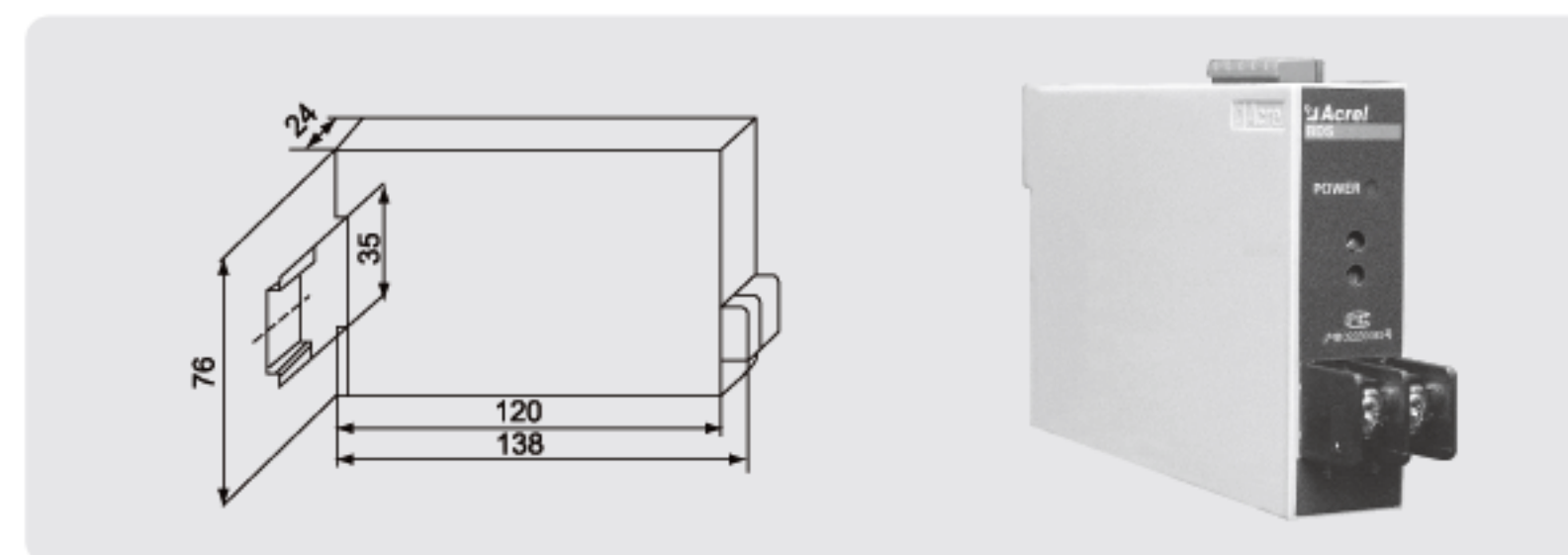
■ 产品规格 / Specification

BM-DI/VI
BM-DV/VI

■ 接线方式 / Wiring



■ 外形尺寸 / Outline dimension



■ 技术参数 / Technical parameter

技术参数 Technical parameters		指标 Value
输入 Input	范围 Range	直流电流(DC current)4-20mA、 电压(Voltage)0-5V
	阻抗 Impedance	阻抗可变, 压降不大于3.5V (Impedance may change, voltage drop)
	过载 Overload	电流(Current):100mA或1W; 电压(Voltage): 0-10V时,50V
输出 Output	范围 Range	一路(One)4-20 mA, 另一路(Another)4-20 mA或0-5V
	负载 Load resistance	0-500Ω或(or) $R_{max}=[(V_s-14)/0.02]\Omega$
	烧损电平 Burnout	输入开路3.6 mA, 输入过流24 mAmax(每路) Input open 3.6 mA, input over current 24 mAmax(each way)
	零点调节 Zero adjustment	15%
电源 Power supply	量程调节 Range adjustment	15%
	范围 Range	24V DC或AC、DC 220V
其它 Other	精度 / 线性 Accuracy / Linearity	满量程(Full scale)0.5%
	温度效应 Temperature effect	≤200ppm
	响应时间 Response time	< 500ms
	隔离电压 Isolation voltage	2000V, 输入对每路输出, 输出之间 (Between input / output / power supply)
	工作 / 贮存温度 Work / storage temperature	-5-50 / -20~+70 ℃
导线尺寸 / 剥线长度 Wire dimension / peel line length	0.5-4.0mm ² /7mm	

3.6 四线隔离器 4-wire isolator

■ 用途 / Usage

4线隔离器为所有直流电流和电压信号提供2000V三端隔离, 可消除地回路。具有多种电源供电标准。

4-wire isolator, which can avoid ground return circuit, is designed to supply 2000V three-terminal isolation for all DC current and voltage signal. It has kinds of power supply standard.

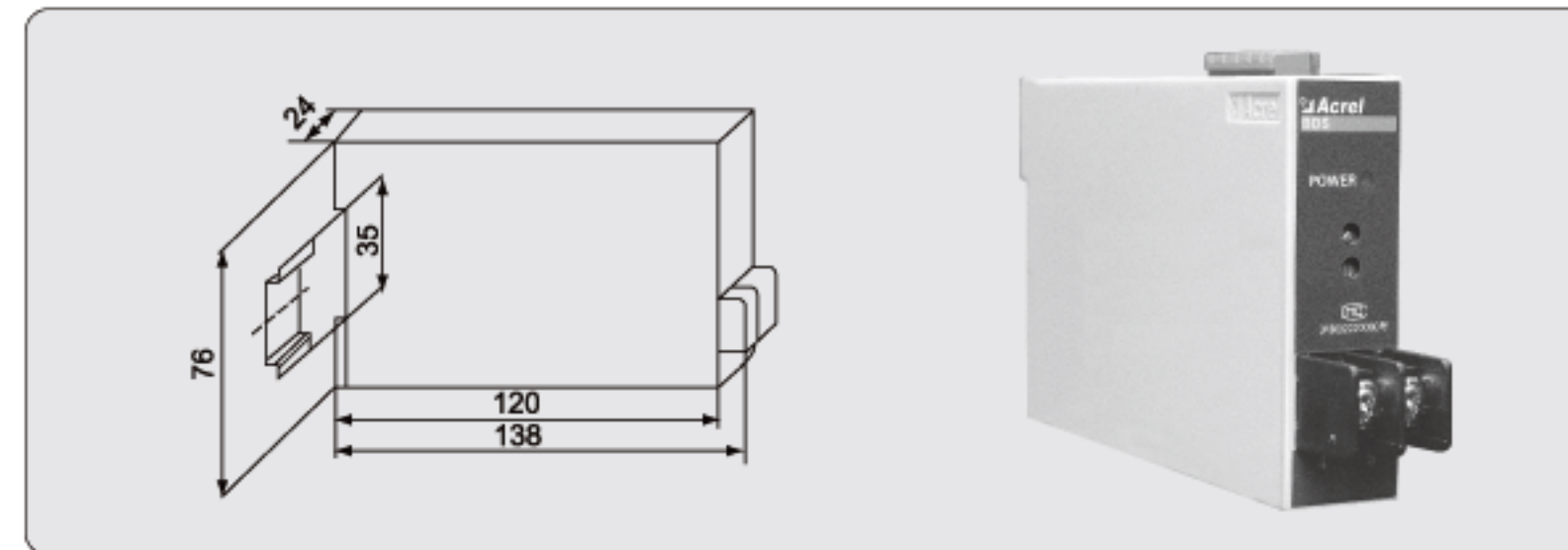
■ 特点 / Feature

紧凑型外壳、可安装于TS35 导轨。
Compact container, fixed on TS35 rail.

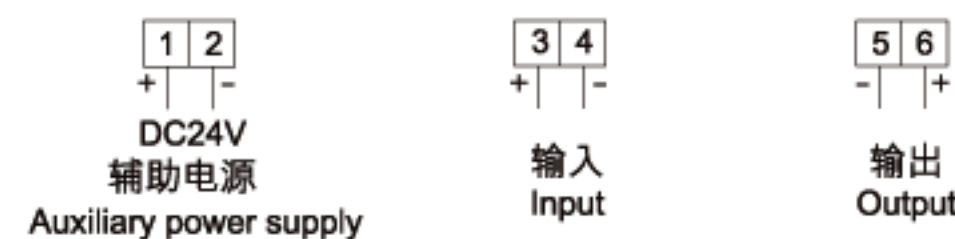
■ 产品规格 / Specification

BM-DI/I BM-DI/V BM-DV/V BM-DV/I

■ 外形尺寸 / Outline dimension



■ 接线方式 / Wiring



■ 技术数据 / Technical data

技术参数 Technical parameters		指标 Value
输入 Input	范围 Range	电流(Current): 0-20mA, 4-20mA, 0~1mA 电压(Voltage): 0-5V、0-10V
	阻抗 Impedance	电流(Current): 100Ω; 电压(voltage)≥1000Ω
	最大输入 Max input	电流(Current):100mA或1W; 电压(Voltage): 50V DC
输出 Output	范围 Range	0-20mA, 4-20 mA, 0-5V或0-10V
	负载 Load resistance	电流(Current):(when)20mA时≤950Ω, 电压(Voltage):≥1000Ω
	保护 Protection	短路保护 Short protection
	零点调节(只有部分模块) Zero adjustment (part of module)	5%
量程调节 Range adjustment	5%	
电源 Power supply		DC24V±20%
其它 Other	精度 / 线性 Accuracy / Linearity	最大满量程 (Full scale) 0.15%
	温度效应 Temperature effect	≤200ppm
	响应时间 Response time	< 500ms
	隔离电压 Isolation voltage	2000V, 输入对输出和电源 (Between input / output / power)
	工作 / 贮存温度 Work / storage temperature	0-60 / -20~+85 ℃
导线尺寸 / 剥线长度 Wire dimension / peel line length	0.5-4.0mm ² / 7mm	

3.7 无源隔离器 *Passive isolator*

■ 用途 / Usage

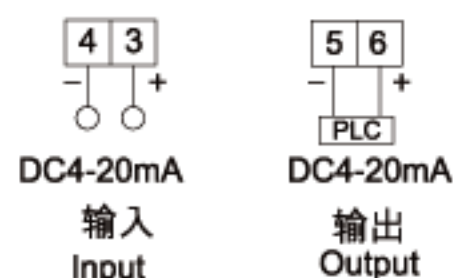
该模块是标准的4-20mA输入，信号通过2000V的隔离，成比例地输出4-20mA信号。可以应用在不便使用电源的场合，输入信号向模块供电并通过变压器进行耦合，不必外加电源。

This module is input with standard 4-20mA signal, which is isolated through 2000V and linearly exports 4-20mA signal. It is used in situation without power supply. The input signal supplies power to module, and couples through transformer. So power in addition is unnecessary.

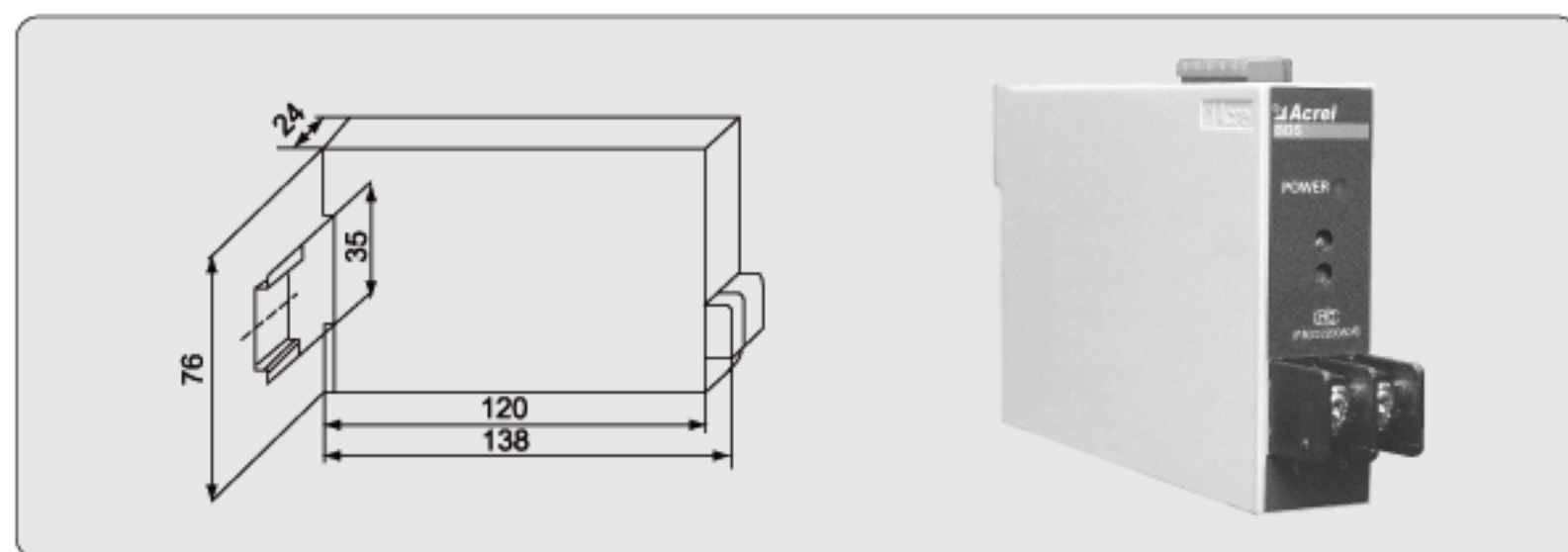
■ 规格 / Specification

BM-DIS/I

■ 接线方式 / Wiring



■ 外形尺寸 / Outline dimension



■ 技术参数 / Technical parameter

技术参数 Technical parameters		指标 Value
输入 Input	范围 Range	直流电流(DC current)4-20mA
	阻抗 Impedance	可变, 6V压降在输入负载 Variable, 6V voltage drop at input load
	最大值输入值 Max input value	电流(Current): 30mA 电压(Voltage): 50V DC
输出 Output	范围 Range	直流电流(DC current)4-20mA
	负载 Load resistance	100-400Ω (100Ω 以下非线性) (Below 100Ω is nonlinearity)
	量程调节 Range adjustment	依靠输出负载调节平衡 Adjust balance depending on output load
	保护 Protection	短路保护 Short protection

其它 Other	精度 / 线性 Accuracy / Linearity	满量程(Full scale)0.3%
	温度效应 Temperature effect	≤200ppm
	响应时间 Response time	< 500ms
	隔离电压 Isolation voltage	2000V, 输入对输出和电源 (Between input and output)
	工作 / 贮存温度 Work / storage temperature	0-70/-20~+85 ℃
	导线尺寸 / 剥线长度 Wire dimension / peel line length	0.5-4.0mm ² /7mm

3.8 两线制输出回路供电的交流电流隔离器 *AC current isolator with two wire system output circuit power supply*

■ 用途 / Usage

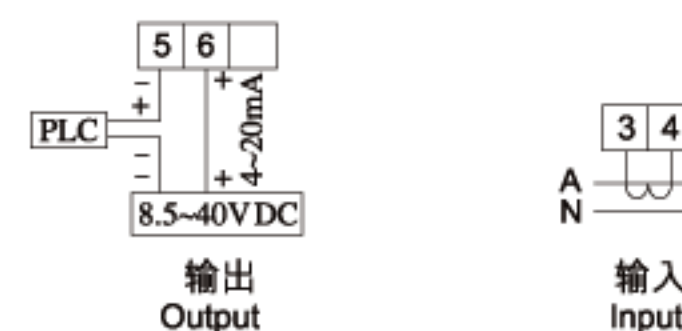
该模块可以直接将最大5A AC或直接将CT的电流进行调制，隔离输出4-20mA。回路工作状态和输出电平由LED进行指示，模块内有浪涌保护电路，适用于恶劣环境。

The module can modulate Max 5A AC or current of CT directly, isolate and export 4-20mA. LED indicates circuit working state and output electrical level. The module contains surge protection circuit, so it fits for foul environment.

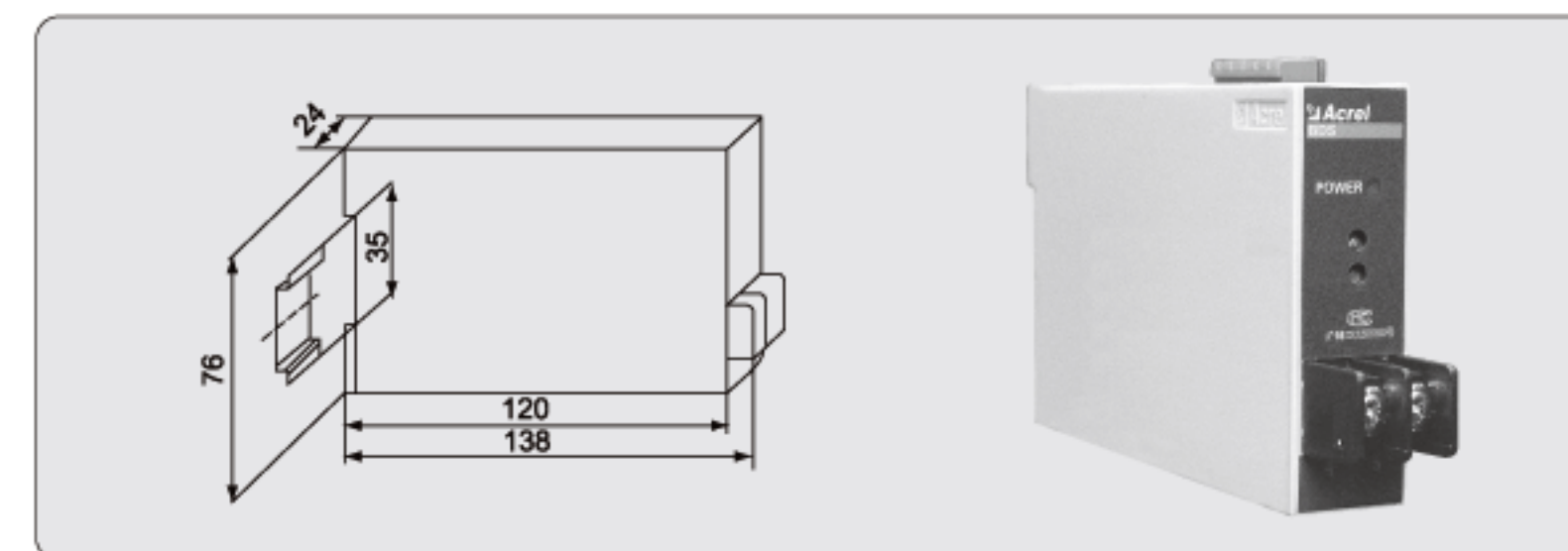
■ 规格 / Specification

BM-AI/IS

■ 接线方式 / Wiring



■ 外形尺寸 / Outline dimension



■ 技术数据 / Technical data

技术参数 Technical parameters		指标 Value
输入 Input	范围 Range	0-1AAC或0-5AAC(跳线选择); 工厂设定0-5AAC 0-1AAC or 0-5AAC (Jump wire choice); Factory default setting 0-5AAC
	阻抗 Impedance	0.01Ω
	最大 Max	持续1.2倍, 瞬时10倍/1秒 Persistence 1.2 times, Instantaneous 10 times / 1s
输出 Output	范围 Range	直流(DC)4-20mA
	负载 Load resistance	$R_{max}=[(Vs-8.5)/0.02]\Omega$, 0-1575Ω(8.5-40V)
	零点调节 Zero adjustment	5%
	量程调节 Range adjustment	5%
电源 Power supply	范围 Range	8.5-40V DC, 一般(commonly)24V DC / 2W
	最大电流 Max current	24mA
其它 Other	精度 / 线性 Accuracy / Linearity	满量程(Full scale)0.15%
	温度效应 Temperature effect	≤200ppm
	响应时间 Response time	< 500ms
	隔离电压 Isolation voltage	2000V, 输入对输出 (Between input / output)
	工作 / 贮存温度 Work / storage temperature	0-70 / -20~+80 ℃
	导线尺寸 / 剥线长度 Wire dimension / peel line length	0.5-4.0mm ² /7mm

3.9 两线制输出回路供电的交流电压隔离器 AC voltage isolator with two wire system output circuit power supply

■ 用途 / Usage

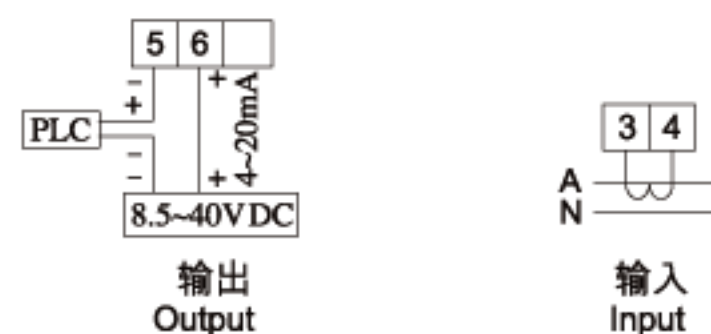
该模块可以将最大450V AC电压变换并隔离输出标准的4-20mA电流, 该模块具有浪涌保护, 可以应用于电机起动和停止时监视。

The module can transmit Max 450V AC voltage, isolate and export normal 4-20mA current. The module contains surge protection circuit, so it fits for electric machine start and stop supervision.

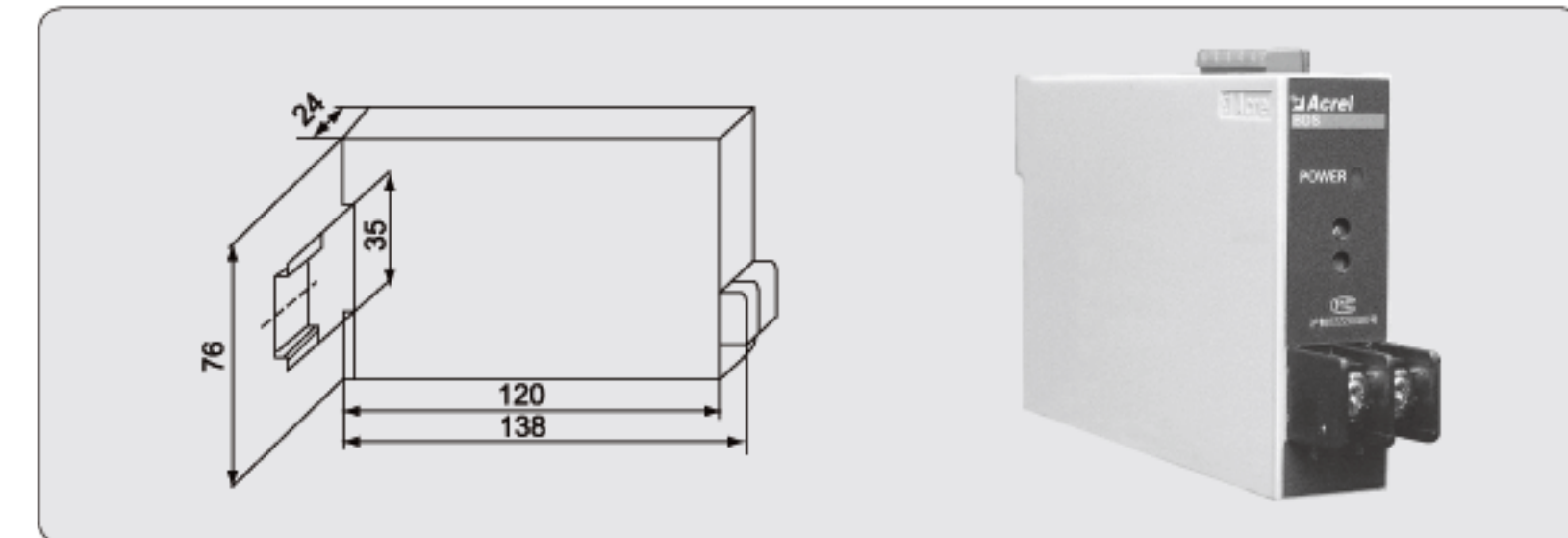
■ 规格 / Specification

BM-AV/IS

■ 接线方式 / Wiring



■ 外形尺寸 / Outline dimension



■ 技术数据 / Technical data

技术参数 Technical parameters		指标 Value
输入 Input	范围 Range	AC100V, 220V, 380V
	阻抗 Impedance	>100kΩ
	最大 Max	持续1.2倍, 瞬时2倍/1秒 Persistence 1.2 times, Instantaneous 2 times / 1s
输出 Output	范围 Range	4-20mA
	负载 Load resistance	$R_{max}=[(Vs-8.5) / 0.02]\Omega$, 0-1575Ω(8.5-40V)
	零点调节 Zero adjustment	5%
	量程调节 Range adjustment	5%
	保护 Protection	短路保护 Short protection
电源 Power supply	范围 Range	8.5-40V DC, 一般(commonly)24V DC / 2W
	最大电流 Max current	24mA
其它 Other	精度 / 线性 Accuracy / Linearity	满量程0.5% Of span(Max)
	温度效应 Temperature effect	≤200ppm
	响应时间 Response time	< 500ms
	隔离电压 Isolation voltage	2000V, 输入对输出 (Between input / output)
	工作 / 贮存温度 Work / storage temperature	0-70 / -20~+80 ℃
导线尺寸 / 剥线长度 Wire dimension / peel line length	0.5-4mm ² /7mm	

3.11 热电阻隔离器 Thermistor isolator

■ 用途 / Usage

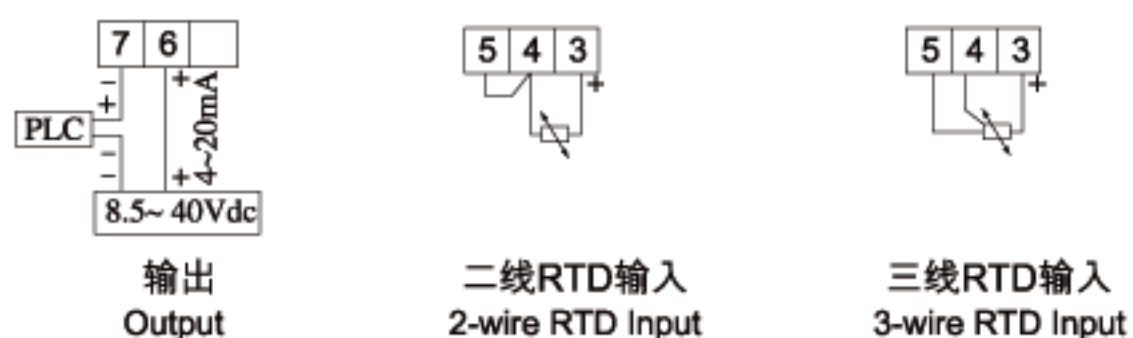
该模块是输出回路供电，RTD输入，比例输出2000V隔离的4-20mA信号。模块内具有浪涌保护电路，也适用于恶劣的环境工作。

The module have features of power supply by output circuit, RTD input, 4~20mA signal output to be isolated from 2000 V, fitted with surge protection circuit, so fits for foul environment.

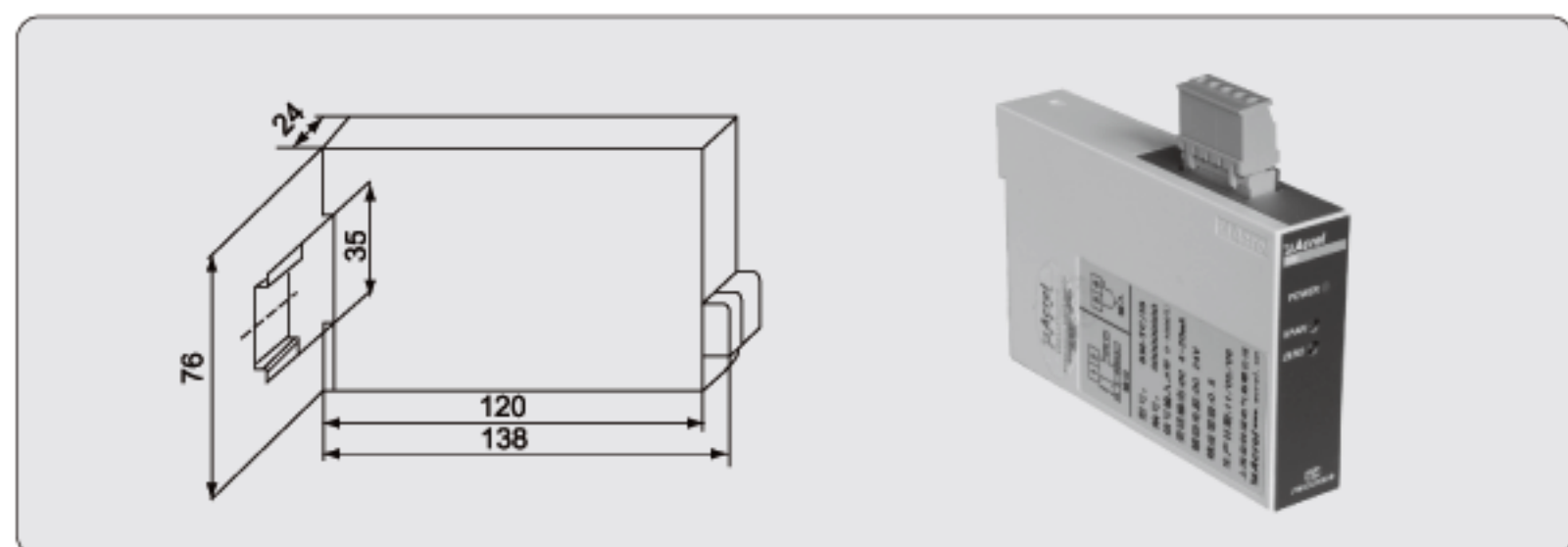
■ 规格 / Specification

BM-TR/IS

■ 接线方式 / Wiring



■ 外形尺寸 / Outline dimension



■ 技术数据 / Technical data

技术参数 Technical parameters		指标 Value
输入 Input	范围 Range	2线或3线RTD(2 or 3 wire RTD), Pt100 ($\alpha=0.00385$), 0-200 ℃
	其它特性 Other characteristics	与温度成线性关系 Linearized to temperature
输出 Output	范围 Range	DC 4-20mA
	负载 Load resistance	0-775Ω 或 (or) $R_{max}=[(V_s-8.5)/0.02]$
	零点调节 Zero adjustment	5%
	量程调节 Range adjustment	5%
电源 Power supply	范围 Range	8.5-40Vdc, 一般(Commonly) 24V DC / 2W
	最大电流 Max current	24mA
其它 Other	精度 / 线性 Accuracy / Linearity	满量程(Full scale) 0.15%
	温度效应 Temperature effect	≤200ppm
	响应时间 Response time	< 500ms
	工作 / 贮存温度 Work / storage temperature	0-70/-20~+80 ℃
	导线尺寸 / 剥线长度 Wire dimension / peel line length	0.5-4.0mm ² /7mm

3.12 两线输出回路供电电阻隔离器 Resistance isolator with 2-wire output circuit power supply

■ 用途 / Usage

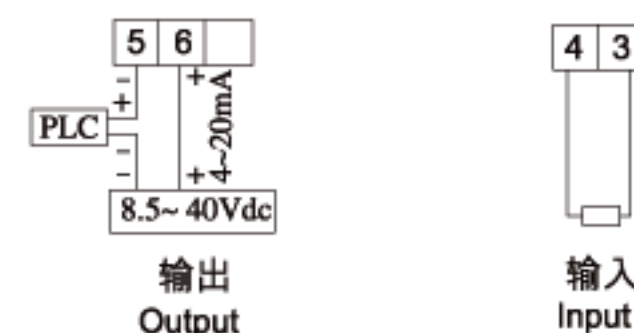
可对标准的2线电阻信号提供4-20mA的输出及2000V的隔离，其精度优于0.2%。

The module have features of providing 4~20mA output and 2000V isolation for 2-wire standard resistance signal, with accuracy better than 0.2%.

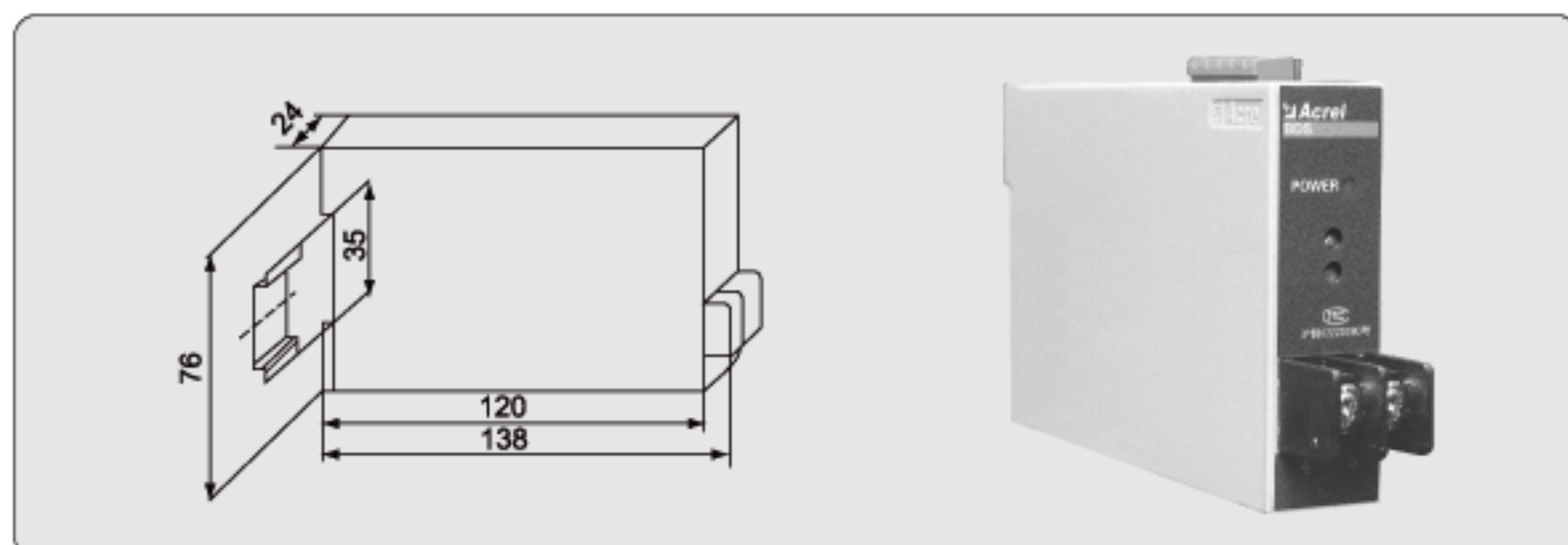
■ 规格 / Specification

BM-R/IS

■ 接线方式 / Wiring



■ 外形尺寸 / Outline dimension



■ 技术数据 / Technical data

技术参数 Technical parameters		指标 Value
输入 Input	范围 Range	0-100Ω, 0-1kΩ, 0-5 kΩ, 0-10 kΩ
	保护类型 Protection type	齐纳二极管 Zener diode
输出 Output	范围 Range	4-20mA
	负载 Load resistance	0-775Ω或(or) $R_{max}=(V_s-8.5/0.02)\Omega$
	负载影响 Load influence	<0.1%
	保护 Protection	短路保护 Short protection
	零点调节 Zero adjustment	最小(Min)5%
电源 Power supply	范围 Range	8.5-40V DC, 一般(Commonly)24V DC/2W
	最大电流 Max current	24mA
其它 Other	精度 / 线性 Accuracy / Linearity	满量程(Full scale) 0.5%
	工作 / 贮存温度 Work / storage temperature	0~+70/-20~+85 ℃
	导线尺寸 / 剥线长度 Wire dimension/peel line length	0.5-4.0mm ² /7mm

3.13 两线输出回路供电电位计隔离器 Potentiometer isolator with 2-wire output circuit power supply

■ 用途 / Usage

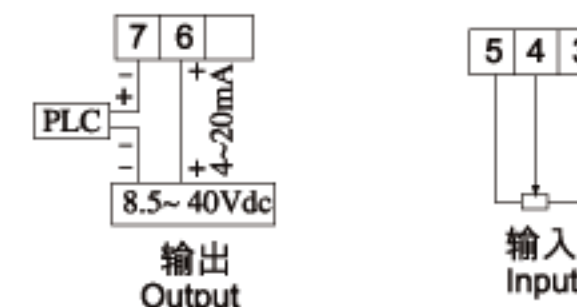
电位计隔离器可对350Ω到10kΩ的电位计提供4-20mA的输出及2000V隔离。其精度为0.15%。

The potentiometer isolator supplies 4-20mA output and 2000V isolation for potentiometer which ranges from 350Ω to 10kΩ. The accuracy is 0.15%.

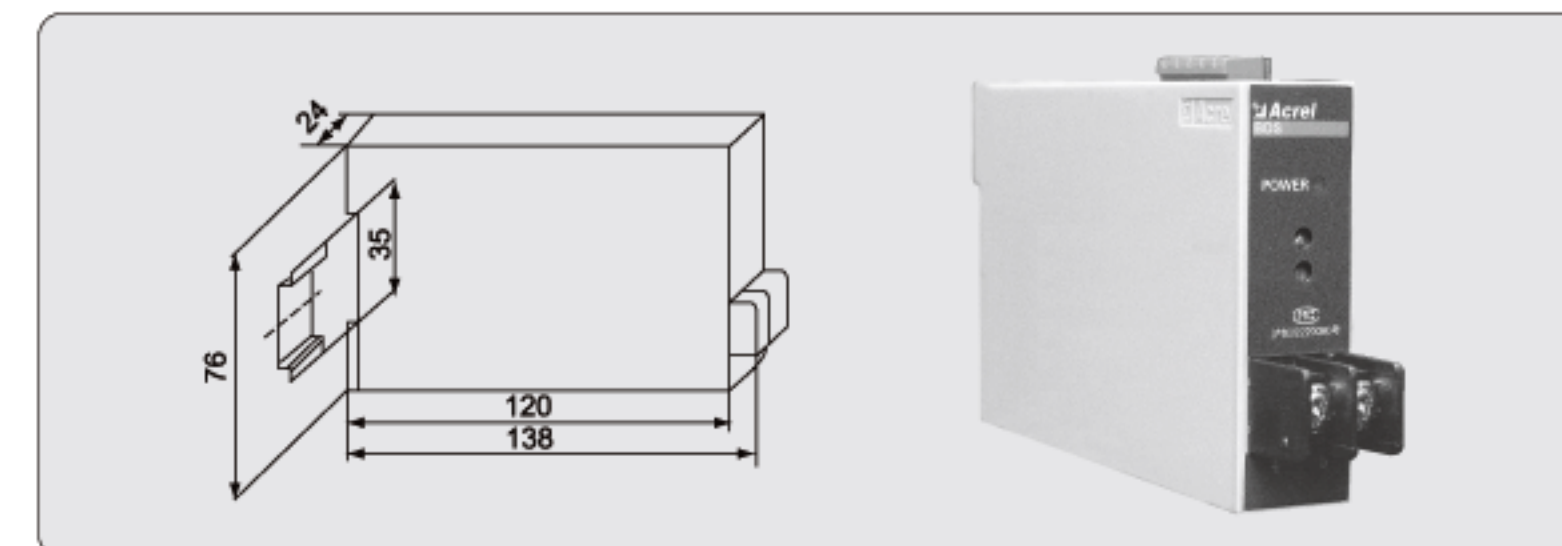
■ 规格 / Specification

BM-VR/IS

■ 接线方式 / Wiring



■ 外形尺寸 / Outline dimension



■ 技术数据 / Technical data

技术参数 Technical parameters		指标 Value
输入 Input	范围 Range	0-350Ω(~10kΩ)
	默认设置 Default setting	0-1 kΩ
	保护类型 Protection type	齐纳二极管 Zener diode
输出 Output	范围 Range	4-20mA
	负载 Load resistance	0-775Ω、 $R_{max}=(V_s-8.5/0.02)\Omega$
	负载影响 Load influence	<0.1%
	保护 Protection	短路保护 Short protection
	零点调节 Zero adjustment	5%
电源 Power supply	范围 Range	8.5-40V DC, 一般(Commonly)24V DC/2W
	最大电流 Max current	24mA
其它 Other	精度 / 线性 Accuracy / Linearity	满量程(Full scale) 0.2%
	工作 / 贮存温度 Work / storage temperature	0~+70/-20~+80 ℃
	温漂 Temperature drift	≤200ppm
	隔离 Isolation	输入与输出之间2000V (Between input & output)
	导线尺寸 / 剥线长度 Wire dimension / peel line length	0.5-4.0mm ² /7mm

3.14 带定点的直流电流、电压报警器 DC current, voltage annunciator with set point

■ 用途 / Usage

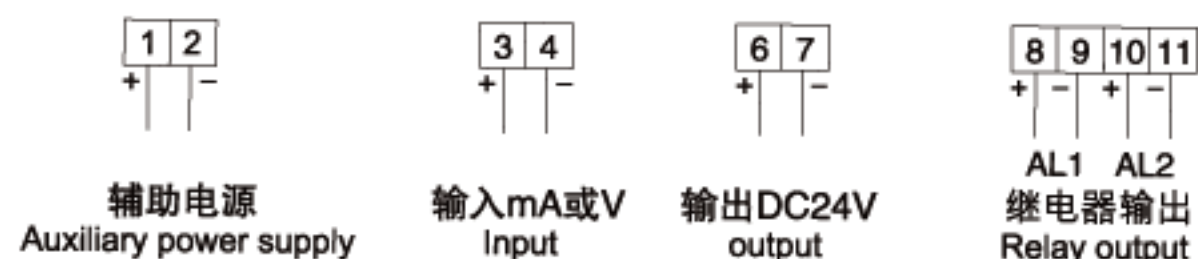
直流输入，输出双路报警控制器，可对直流电流信号或电压信号进行报警。设置点电位器可在输入的0—100%内设置。报警点1%的回滞量，可消除继电器触点抖动的影响。前面的LED能显示继电器的状态。可向现场提供24V辅助电源，通过顶部的跳线可设置高(正向)或低(反向)报警。

DC input and output 2 alarm control device is designed to alarm DC current or voltage signal. Set point potentiometer can be set between 0—100% of input. Hysteresis coefficient 1% of alarm point may clear the influence of relay contact chatter. The former LED display the state of relay. It supplies 24V auxiliary power for field, and sets high (forward direction) or low (backward direction) alarm through jumpwire on the top.

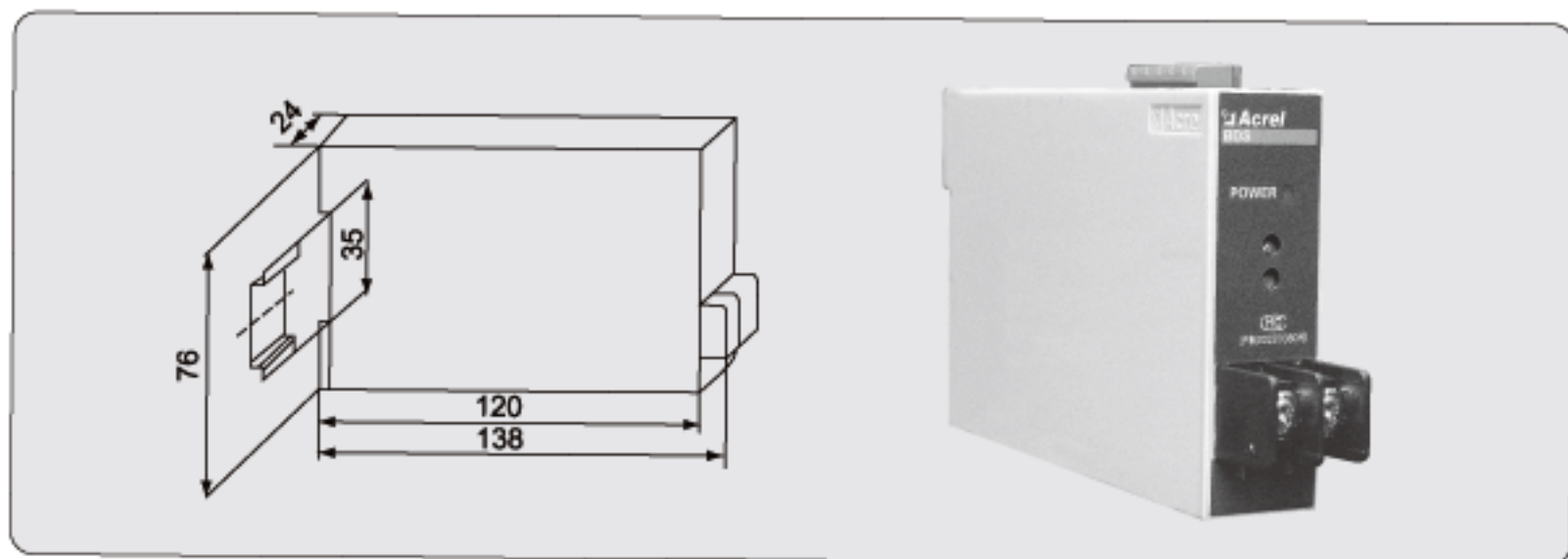
■ 规格 / Specification

BM-DI/J BM-DV/J

■ 接线方式 / Wiring



■ 外形尺寸 / Outline dimension



■ 技术数据 / Technical data

技术参数 Technical parameters	指标 Value	
输入 Input	输入范围 Range	0-20mA / 0-10VDC
	阻抗 Impedance	50Ω/1MΩ
	最大输入值/保护类型 Max input/Protection type	100mA或1W / 50V DC 齐纳二极管(Zener diode)
	现场激励 Field excitation	最大24V DC, 25mA(Max)
输出 Output	输出范围 Range	2个独立的继电器, 跳线设置高/低 2 separate relay, jump wire set high/low
	负载 Load resistance	220V AC时5A, 125V AC时10A, 30V DC5A (阻性负载) (impedance load)
	设定点调节 Set point adjustment	输入量程的0-110% Of input range
	报警功能 Alarm	高(正向) / 低(反向) / 报警 high(forward) / low(backward) / alarm
	保护 Protection	继电器触点用于通断感性负载时需外加保护 Relay terminal, used to inductive load, need protection
	死区 Blind spot	回滞量为满量程的1% Hysteresis coefficient, 1% of full range
电源 Power supply	范围 Range	100-130V AC / 50-60Hz、200-260V AC / 50-60Hz
	损耗 Consumption	< 20mA AC (2VA)
其它 Other	精度 / 线性 Accuracy / Linearity	满量程(Full scale) 0.1%
	温度效应 Temperature effect	≤200ppm
	响应时间 Response time	(90%量程) < 10ms (90% of fullscale)
	LED状态 (state)	每个继电器一个红色LED (当继电器工作时LED亮) Each relay matches one red LED (LED is bright when the relay works)
	隔离 Isolation	2000V(输入与电源), 1500V (触点与输入 / 输出) 2000V(between input and power), 1500V(between relay and input / output)
工作 / 贮存温度 Work / storage temperature	0-60/-20-85 °C	



4. BD系列电力变送器

4.1 概述 General

BD系列电力变送器是一种将电网中的电流、电压、频率、功率、功率因数等电参量，经隔离变送成线性的直流模拟信号或数字信号装置。产品符合GB/T13850-1998、IEC-688标准。

Series BD electric transmitters is a device which can isolate and transmit electric parameters, such as current, voltage, frequency, power, power factor, into linear DC analog signal or digital signal. It meet the requirements of National standard GB/T13850-1998, IEC-688.

4.2 型号说明 Type explanation

BD-□ □

辅助代号，表示输出路数
Auxiliary code, showing numbers of output way

- 1 — 单路输出，省略
Single-way output, omitted
- 2 — 双路输出
Double-way output
- 3 — 三路输出
Three-way output

功能代号：

Function code:

- AI — 单相电流
Single phase AC current
- DI — 直流电流
DC current
- AV — 单相电压
Single phase AC voltage
- DV — 直流电压
DC voltage
- 3I — 三相电流
Three phase current
- 3V — 三相三线电压
3-phase 3-wire voltage
- 4V — 三相四线电压
Three-phase 4-wire voltage
- P — 单相有功功率
Single phase active power
- 3P — 三相三线有功功率
3-phase 3-wire active power
- 3Q — 三相三线无功功率
3-phase 3-wire reactive power
- 4P — 三相四线有功功率
Three-phase 4-wire active power
- 4Q — 三相四线无功功率
Three-phase 4-wire reactive power
- 3E — 三相有功电度
Three-phase active electric energy
- 3RE — 三相无功电度
Three-phase reactive electric energy
- PF — 功率因数
Power factor
- F — 频率
Frequency
- TC — 热电偶
Thermocouple
- TR — 热电阻
RTD

电力变送器
Electric transmitters

4.3 通用技术条件 General technical condition

技术参数 Technical parameters		指标 Value
精度等级 Accuracy class		0.5、0.2
输入 Input	标称值 Nominal value	电流(Current) AC、DC 1A、5A；电压(Voltage) AC、DC 100V、300V、500V等
	过载 Overload	持续1.2倍，瞬时电流10倍/5秒；瞬时电压2倍/30秒 Continual 1.2 times, Instantaneous current 10 times /5s; Instantaneous voltage 2 times /30s
	吸收功率 Consumption	≤0.3VA(电流输入 Current input)；电压输入 Voltage input, ≤0.3VA(100V时)， ≤0.6VA(300V时)，≤1VA(500V时)
	频率 Frequency	50±5Hz, 60±5Hz
输出 Output	标称值 Normal value	4-20mA、0-20mA, 0-5V, 0-10V等(And so on)
	负载电阻 Load resistance	电流输出时(Current output)≤600Ω，电压输出时(Voltage output)≥1000Ω
	波纹含量 Ripple content	<0.5%峰值(peak value)
响应时间 Response time		≤400ms
电源 Power supply	电压 Voltage	AC、DC 85-270V
	功耗 Consumption	交流电流，电压类(AC current, voltage)≤3VA，功率类(Power)≤4VA
绝缘电阻 Insulation resistance		≥100MΩ
耐压强度 Isolation voltage		输入/输出/电源之间(Among input/output/power supply) 2.0kV/1min, 50Hz
温度系数 Temperature modulus		≤100ppm/℃
环境 Environment	温度 Temperature	工作(Work): -10~+55℃ 贮存(Storage): -25~+70℃
	湿度 Humidity	≤90%RH, 不结露，无腐蚀性气体场所 (In the place without dew and corrosive gas)
	海拔 Altitude	≤2000m
安装方式 Fix mode		TS35 导轨，或用螺钉固定柜体上 (Rail, or fix to cubicle with bolt)



4.4 超薄电流、电压变送器 Ultrathin Current, Voltage transmitters

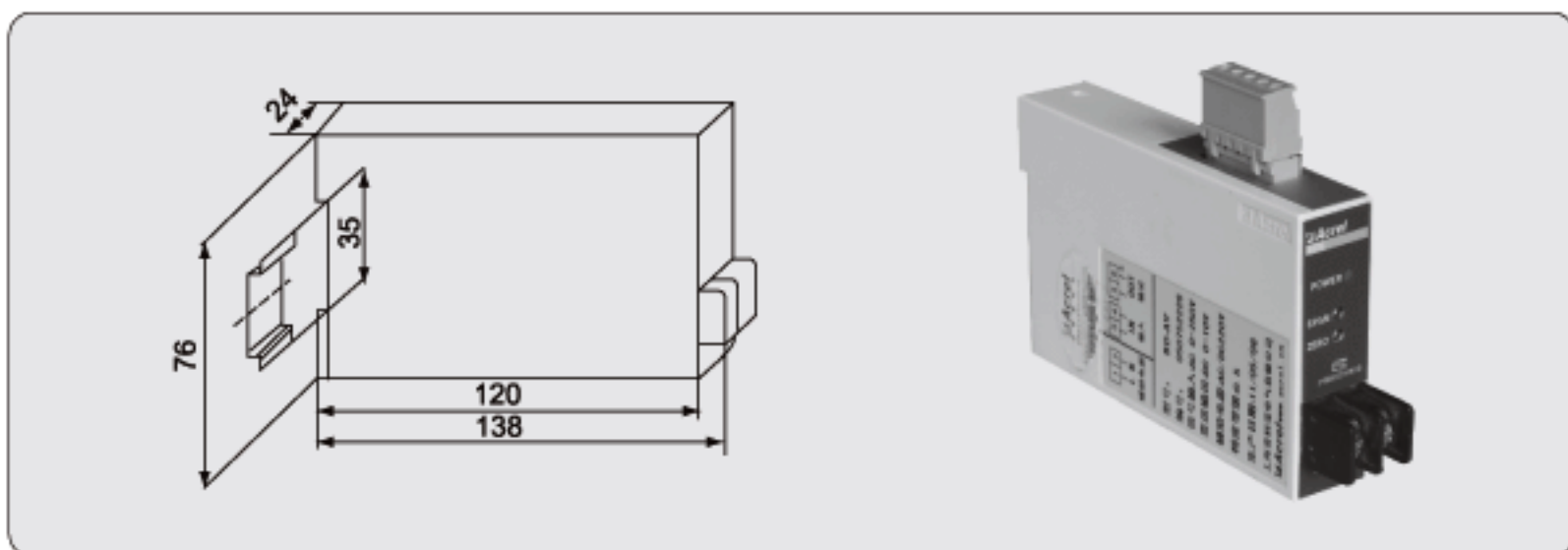
■ 用途 / Usage

测量电流、电压信号，隔离变送输出模拟信号。
Measure current, voltage signal, isolate and transmit analog signal output.

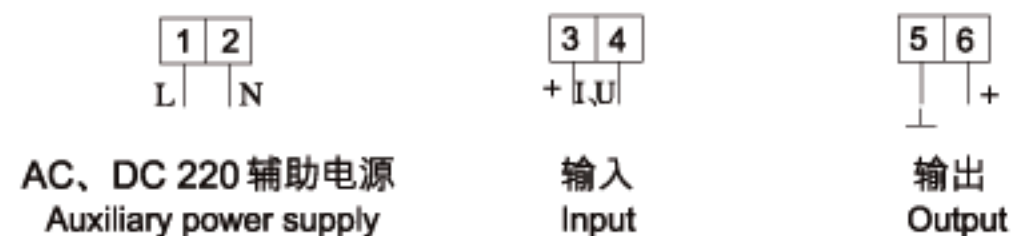
■ 产品规格 / Specification

- BD-AI 交流电流变送器 AC current transmitters
- BD-DI 直流电流变送器 DC current transmitters
- BD-AV 交流电压变送器 AC voltage transmitters
- BD-DV 直流电压变送器 DC voltage transmitters

■ 外形尺寸 / Outline dimension



■ 接线方式 / Wiring



■ 订货范例 / Order example

例E.g. 型号 Type: BD-AI
 辅助电源 Auxiliary power supply: AC220V / 50Hz
 输入 Input: 5A
 输出 Output: 4~20mA

4.6 三相电流、电压变送器 Three-phase current, voltage transmitters

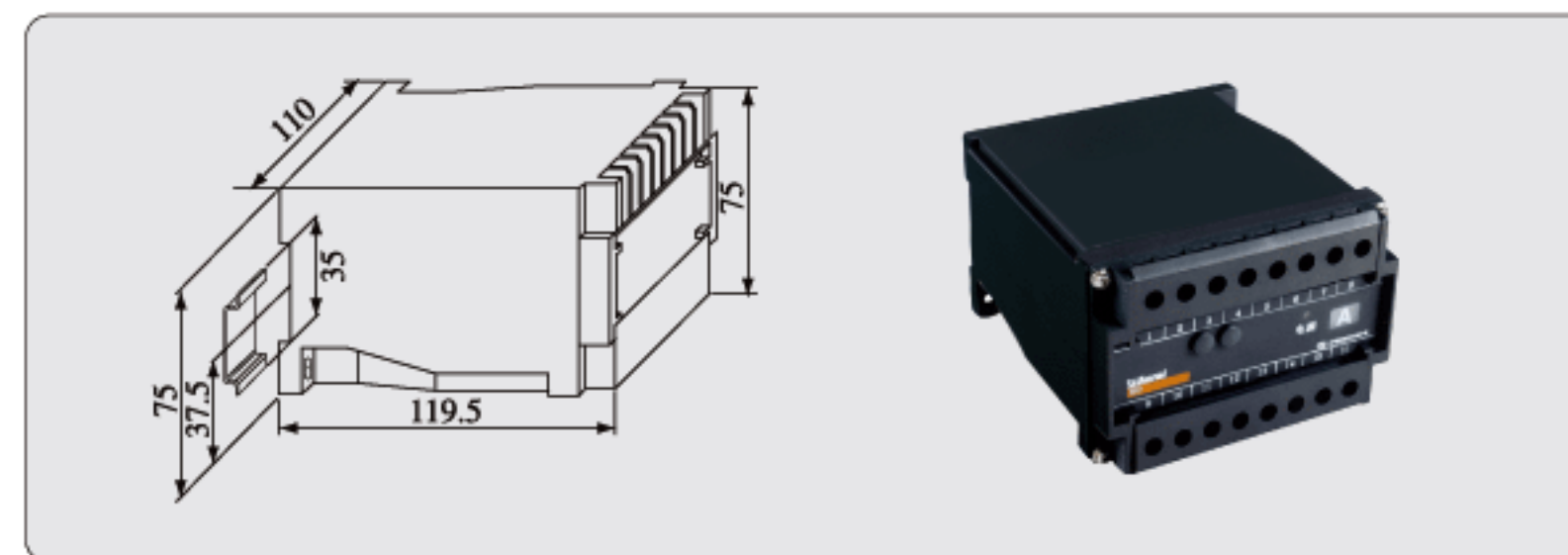
■ 用途 / Usage

测量三相电流、电压信号，隔离变送输出三路模拟信号。
Measure three-phase current or voltage, isolate and transmit 3-channel analog output.

■ 产品规格 / Specification

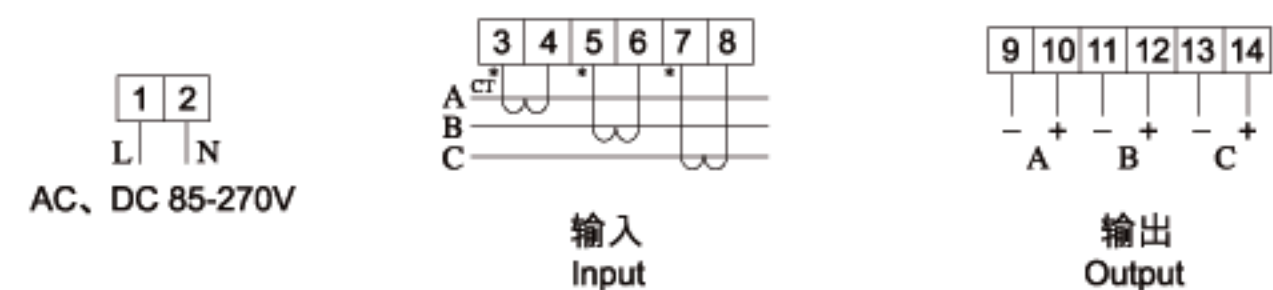
- BD-3I3 三相电流变送器
Three-phase current transmitters
- BD-3V3 三相三线电压变送器
Three-phase 3-wire voltage transmitters
- BD-4V3 三相四线电压变送器
Three-phase 4-wire voltage transmitters

■ 外形尺寸 / Outline dimension

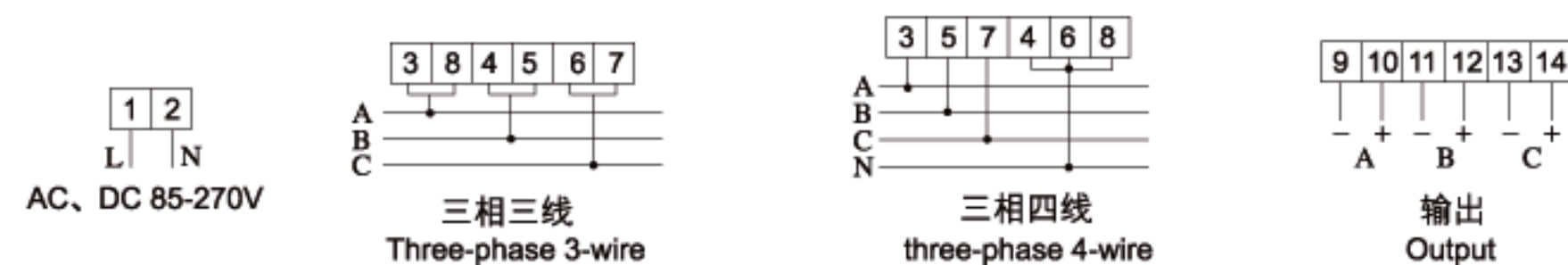


■ 接线方式 / Wiring

电流变送器 Current transmitters



电压变送器 Voltage transmitters



■ 订货范例 / Order example

例E.g. 型号 Type: BD-3I3
 辅助电源 Auxiliary power supply: AC 220V / 50Hz
 输入 Input: 5A
 输出 Output: 三路4~20mA 3-channel 4~20mA

4.7 功率变送器 Power transmitters

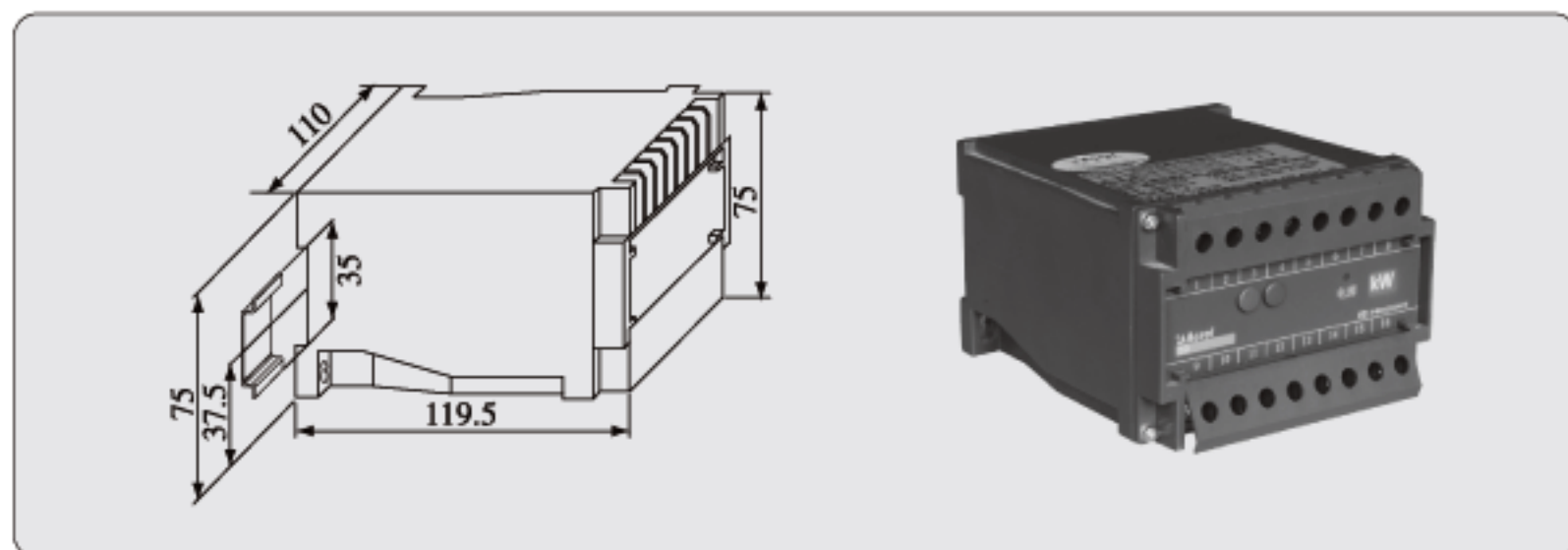
■ 用途 / Usage

能测量有功功率，无功功率，隔离变送输出模拟信号。
Measure active power, reactive power, isolate and transmit analog output

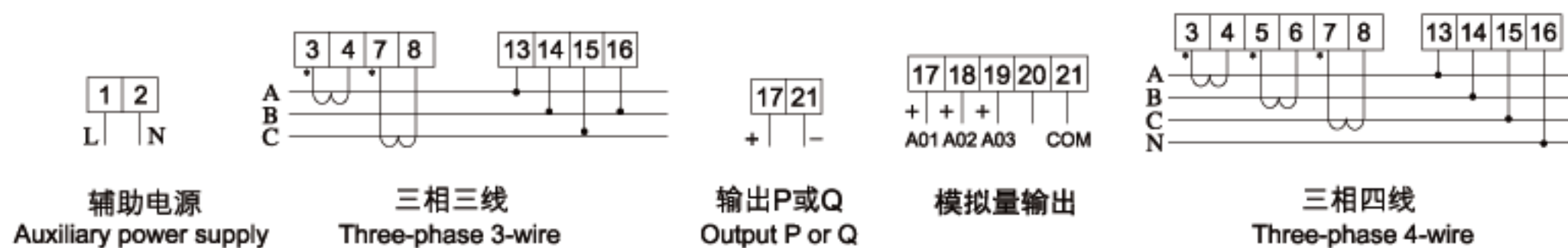
■ 产品规格 / Specification

- BD-3P 三相三线有功功率变送器
Three-phase 3-wire active power transmitters
- BD-3Q 三相三线无功功率变送器
Three-phase 3-wire reactive power transmitters
- BD-3P/Q/I 三相三线有功功率/无功功率/电流组合变送器
Three-phase 3-wire active power/reactive power/current combination transmitters
- BD-4P 三相四线有功功率变送器
Three-phase 4-wire active power transmitters
- BD-4Q 三相四线无功功率变送器
Three-phase 4-wire reactive power transmitters

■ 外形尺寸 / Outline dimension



■ 接线方式 / Wiring



■ 订货范例 / Order example

例E.g. 型号 Type: BD-3P
 辅助电源 Auxiliary power supply: AC220V / 50Hz
 输入 Input: 电流(Current) 5A 电压(Voltage) 100V 功率 Power 866W
 输出 Output: 4~20mA 对应(corresponds) 0 ~ 866W

4.8 多电量数字变送器 Multi-electrical parameters digital transmitters

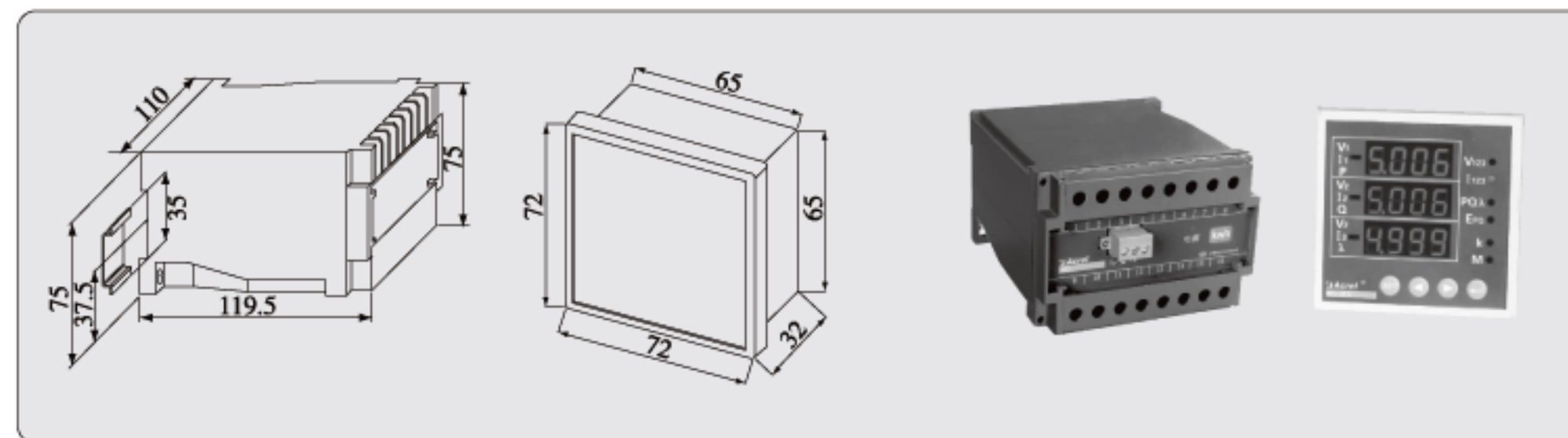
■ 用途 / Usage

将电力系统中的电度量转换成高线性比例输出的脉冲量。该变送器带RS485通讯接口，采用Modbus协议，可输出三相电流、电压、有功功率、无功功率、频率、功率因数、有功电度、无功电度等数字量。
 Transmit kWh value of electric power system into high linear pulse. It has RS485 communication interface, adopts Modbus protocol, and exports three-phase current, voltage, active power, reactive power, frequency, power factor, active energy, reactive energy and so on.

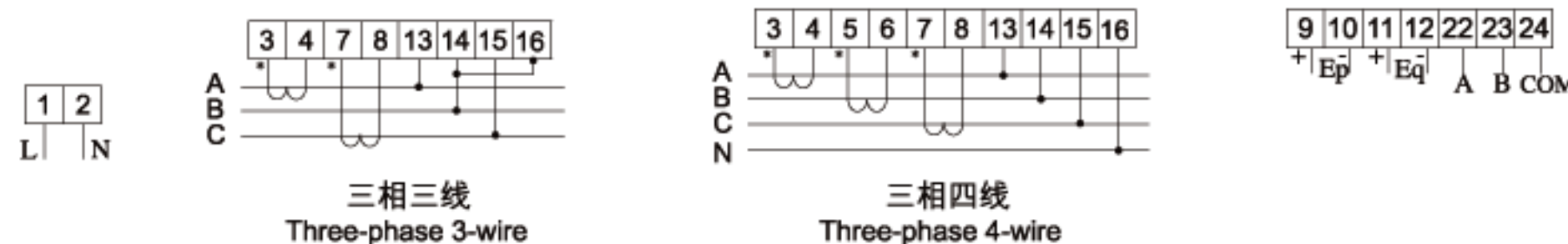
■ 产品规格 / Specification

- BD-3E 三相三线多电量数字变送器
Three-phase 3-wire Multi-electrical parameters digital transmitters
- BD-4E 三相四线多电量数字变送器
Three-phase 4-wire Multi-electrical parameters digital transmitters
- BD-4EA 组合式多功能电力仪表
Combined multi-functional power meters

■ 外形尺寸 / Outline dimension



■ 接线方式 / Wiring



■ 订货范例 / Order example

例E.g. 型号 Type: BD-3E
 辅助电源 Auxiliary power supply: 220V/50Hz
 输入 Input: 电流(Current) 5A 电压(Voltage) 100V 功率(Power) 866W
 输出 Output: 40000脉冲 / kWh 40000 pulse / kWh

注: BD-4EA组合式多功能电力仪表主要适合于GCK、GCS、MNS等低压抽屉柜的出线回路中，特别是电器元件排列较为紧凑的场合。产品由信号采集处理部分(即BD-4E)和显示器组成，BD-4E安装在内部导轨上，显示器安装在柜体面板上。功能与ACR220E一致。
 Note: DT 80-E single-phase active electric energy meters are mainly suitable in the outlet circuits of low voltage draw-out cubicles such as GCK, GCS, MNS etc., particularly used for position with electrical components layout in more compact condition. It consists of BD-4E for acquiring and treating signal, displays. BD-4E is mounted onto the inner guide rail, the display is mounted onto the face place of cubicle. Its function is identical with that of ACR 220E.

4.9 功率因数变送器 Power factor transmitters

■ 用途 / Usage

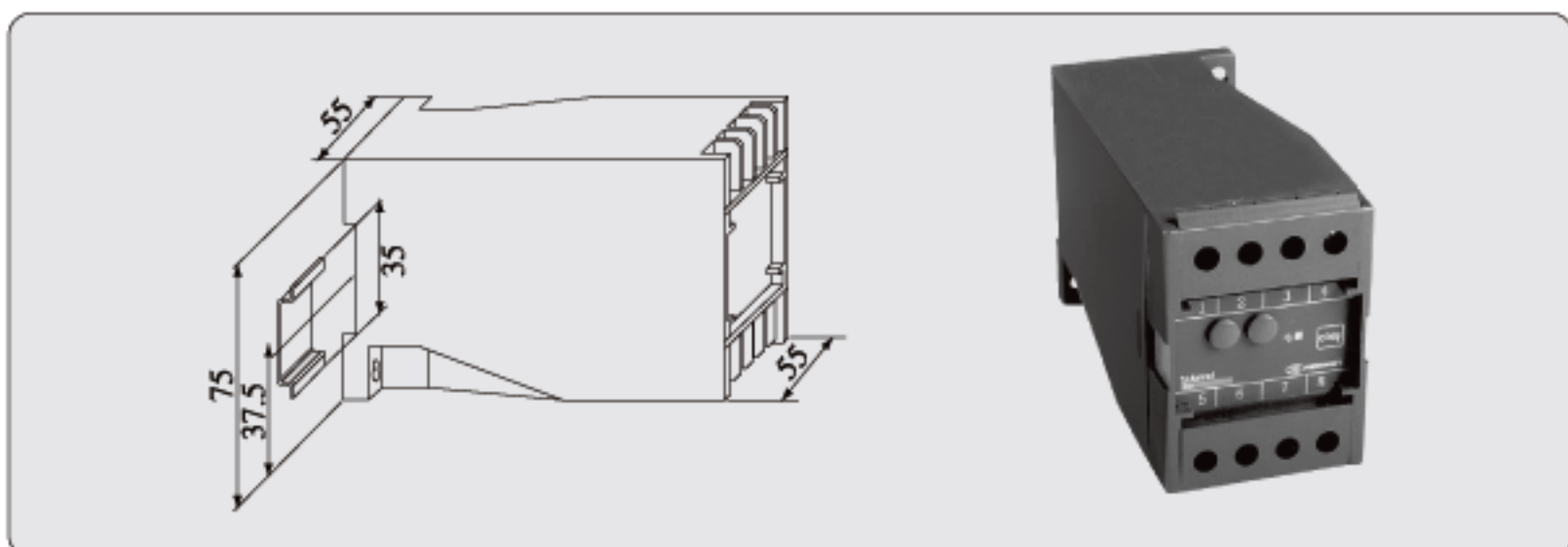
用于测量单、三相系统的功率因数，经隔离变换成直流信号输出，供远动装置，计算机，自动化控制系统作信息输入，广泛应用于电力系统场合。

Measure power factor of single, three-phase system, isolate and transmit into DC signal output. It is used for information input of telemechanism, computer, automation control system. It is widely used in electric power system.

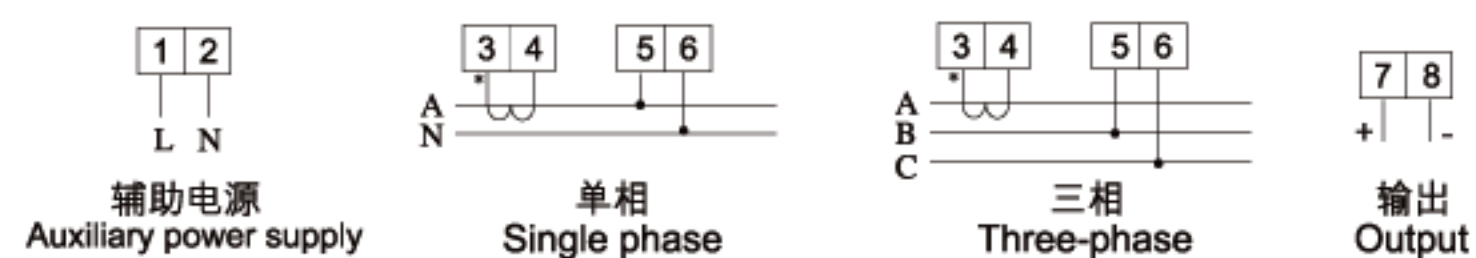
■ 产品规格 / Specification

BD-PF

■ 外形尺寸 / Outline dimension



■ 接线方式 / Wiring



■ 订货范例 / Order example

例E.g. 型号 Type: BD-PF
 辅助电源 Auxiliary power supply: 220V / 50Hz
 输入 Input: 电流(Current) 5A
 电压(Voltage) 100V
 功率(Power) 866W
 输出 Output: 4~20mA 对应(matches)0~1

4.10 频率变送器 Frequency transmitters

■ 用途 / Usage

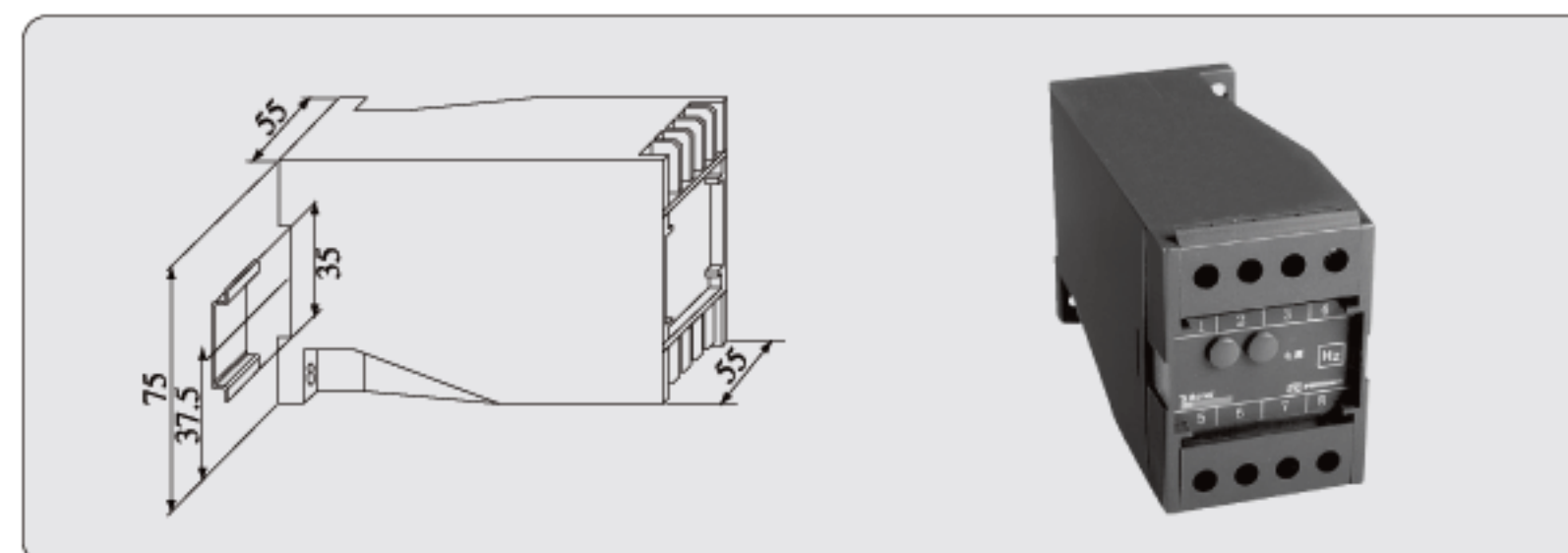
可测量工频频率，将频率变换为线性输出的直流信号，隔离输送给远动装置、计算机、巡检等。

Measure frequency, transmit frequency into linear DC signal output, then isolate and deliver to telemechanics device, computer and so on.

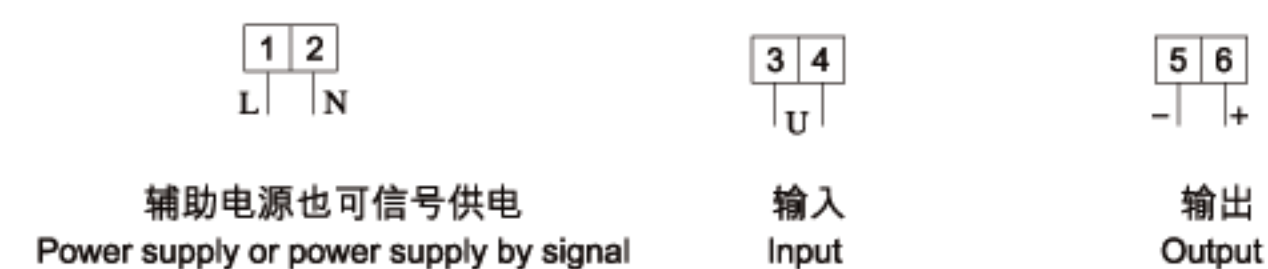
■ 产品规格 / Specification

BD-F

■ 外形尺寸 / Outline dimension



■ 接线方式 / Wiring



■ 订货范例 / Order example

例E.g. 型号 Type: BD-F
 辅助电源 Auxiliary power supply: 220V / 50Hz
 输入 Input: 100V
 输出 Output: 4~12~20mA 对应(Corresponds) 45~50~55 Hz