



中国名牌



中国驰名商标



CW1G 系列隔离开关

CW1G SERIES SWITCH-DISCONNECTOR

CV系列

CW系列

CM系列

CB系列 CK系列 CR系列 CA系列

CJR系列 CJD系列 CD系列 CH系列 CE系列

2010版

常熟开关制造有限公司
(原常熟开关厂)

CHANGSHU SWITCHGEAR MFG. CO.,LTD.
(FORMER CHANGSHU SWITCHGEAR PLANT)

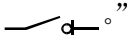
CONTENTS

概 述 OUTLINE	1
型号含义 TYPE AND ITS MEANING	1
正常工作条件和安装条件 ENVIRONMENT CONDITIONS FOR OPERATION AND INSTALLATION	2
结构简介 SYNOPSIS OF STRUCTURE	3
主要技术指标 MAIN TECHNICAL PARAMETERS	6
隔离开关功耗及降容系数 POWER CONSUMPTION AND CAPACITY LOWER COEFFICIENT	8
电气附件 ELECTRIC ATTACHMENTS	8
机械附件 MECHANICAL ATTACHMENTS	10
外形尺寸及安装尺寸 OUTLINE DIMENSIONS AND MOUNTING DIMENSIONS	11
隔离开关门框开孔尺寸 HOLING DIMENSION FOR MOUNTING DOOR FRAME	20
隔离开关安装使用 INSTALLATION AND APPLICATION OF SWITCH-DISCONNECTOR	23
二次回路接线图 SECONDARY CIRCUIT WIRING DIAGRAM	24
订货规范 ORDER FORM	26

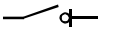




概 述 *OUTLINE*

CW1G系列隔离开关是由相应的CW1系列断路器派生并保持了相同的外形尺寸及安装尺寸，主要安装在低压配电电路中作主电路的接通和断开，并可起隔离作用。其符号表示为“”。

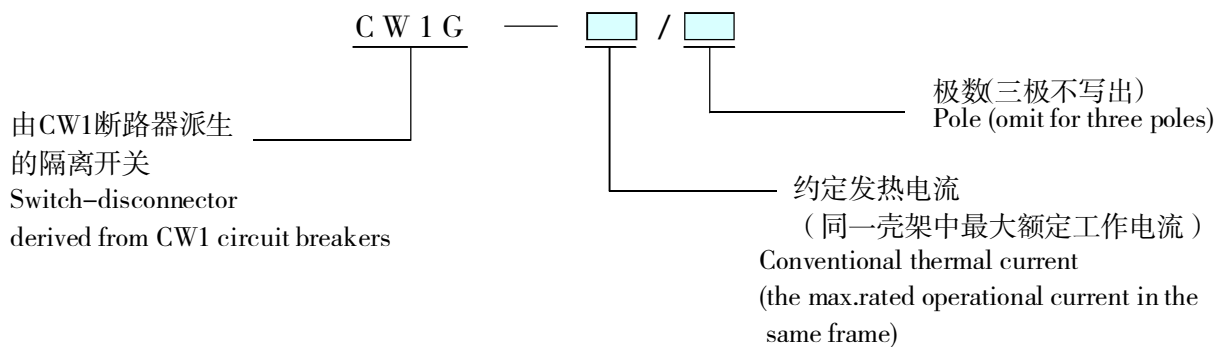
- 交流额定工作电流630A~5000A;
- 额定工作电压AC690V及以下;
- 具有3极和4极;
- 抽屉式和固定式;
- 可倒进线安装;
- 执行IEC60947-3、GB14048.3-2008标准。
- 本产品获国家强制性产品认证“CCC”标志。

CW1G series switch-disconnector (hereinafter short as switch) is derived from the corresponding CW1 series circuit-breaker, and it keeps the same outline dimensions and mounting dimensions of CW1. The switch is installed in the low voltage distribution circuits, to make the main circuit closed and opened. The switch also plays isolated role, its corresponding symbol is shown as “”。

- Rated operational current: 630A ~ 5000A AC;
- Rated operational voltage: 690V or below;
- Three or four poles;
- Draw-out type or fixed type;
- Can be in adverse direction;
- Comply with the demands of the following standards: IEC 60947-3, GB 14048.3-2008.
- The product is permitted to use the CCC marking of CQC.



型号含义 *TYPE AND ITS MEANING*





- 周围空气温度为 $-5^{\circ}\text{C} \sim +40^{\circ}\text{C}$ ，且24h的平均值不超过 $+35^{\circ}\text{C}$ ；
- 安装地点的海拔不超过2000m；
- 安装地点的空气相对湿度在最高温度为 $+40^{\circ}\text{C}$ 时不超过50%；在较低温度下可以有较高的相对湿度，最湿月的月平均最低温度不超过 $+25^{\circ}\text{C}$ ，该月的月平均最大相对湿度不超过90%，并考虑因温度变化发生在产品表面上的凝露；
- 污染等级为3级；
- 主电路的安装类别为IV，其余辅助电路、控制电路安装类别为III；
- 使用类别为AC-22A，AC-23A；
- 产品应按使用说明书要求安装。其垂直倾斜度不超过 5° 。

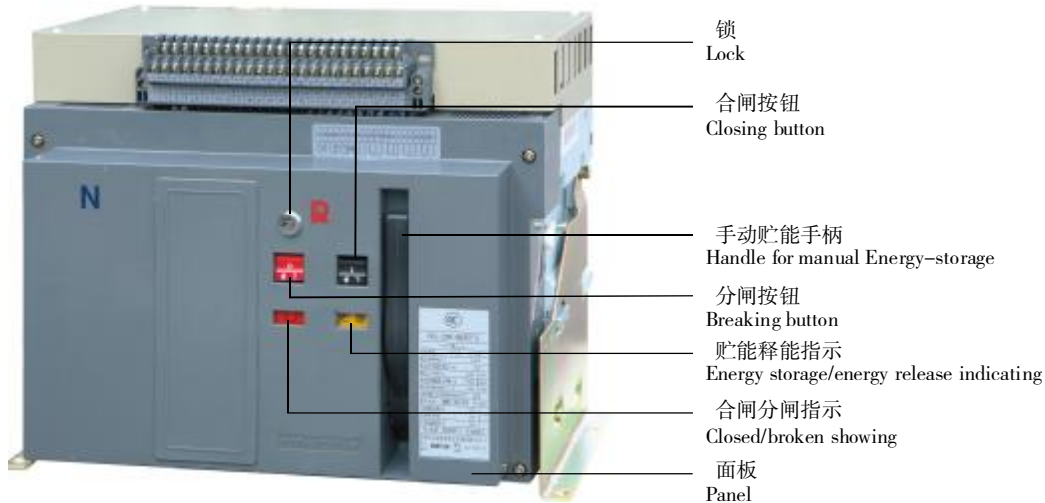
- Ambient temperature: $-5^{\circ}\text{C} \sim +40^{\circ}\text{C}$. The average temperature in 24 hours below $+35^{\circ}\text{C}$.
- Elevation of installation site: $\leq 2000\text{m}$.
- Relative humidity: not exceeding 50% at the maximum ambient temperature of $+40^{\circ}\text{C}$. With lower temperature, higher humidity would be permitted, but the lowest average temperature in a month not exceeding $+25^{\circ}\text{C}$ during the most moist month, and the maximum monthly average relative humidity not exceeding 90% in that month, and giving consideration to the dews on the goods surface, which would appear due to temperature change.
- Pollution degree: 3.
- Installing categories: IV for switch' s main circuits; III for other auxiliary circuits and control circuits.
- Category of utilization: AC-22A, AC-23A.
- The switch should be installed according to stipulations in operation manual, the vertical gradient isn' t more than 5°



结构简介 SYNOPSIS OF STRUCTURE

● 隔离开关正面指示

● Front View of the Switch-disconnector



结构简介 SYNOPSIS OF STRUCTURE

● 结构特点

● Structure feature

● 隔离开关有固定式和抽屉式之分，把固定式隔离开关本体装入专用的抽屉座就成为抽屉式。开关本体由触头系统、操动机构、辅助开关、二次插接件、分励脱扣器等部件组成；抽屉座由带有导轨的左右侧板、底座和横梁等组成。

● The switch-disconnector could be classified two types: fixed type and draw-out type. It could become the draw-out type switch-disconnector by putting the main body of a fixed type switch-disconnector into the special draw-out socket. The main body of switch consists of contacts system, operating device, auxiliary switch, secondary plug and shunt release, etc. The draw-out socket is made up of the rightside plate and leftside plate(with guided way)、base and cross member.

● 触头系统

● Contacts system

● 采用一挡触头系统，在同一触头的不同部位，触头单元既具有主触头的功能，也具有弧触头的功能；

● One-gear system: The different part of the same contact has different function. The contact unit is both with main contact function and arc-contact function;

● 采用新型耐弧的触头材料，使触头在分断额定电流时不致过分发热而引起温升过高；

● The new-type arc-resistant material is to be chosen for making contacts. After breaking the rated current, the contacts wouldn't be overheat to make the temperature overrising.

● 触头系统采用多路并联，降低了电动斥力，提高触头系统的电动稳定性；

● The contacts system is made of the multiple way parallel style, to reduce the electric repulsion and to rise the electric steady ability.

● 隔离开关在断开状态时，动静触头的间距远大于IEC60947-3标准对隔离性能的规定，极大地提高了开关的介电性能；

● When the switch-disconnector is on breaking state, the space between motional contact and static contact is far large than the isolated distance which prescribed by IEC 60947-3 standard, so it promotes the switch's dielectric properties.

● 触头位置指示不仅有明显的闭合指示“|”和断开指示“○”，而且触头在断开位置时指示可靠，并且只有在断开时才能锁住，使开关不能被闭合；

● The position indication of contacts has two indications: " | " closing indication " ○ " and breaking indication " O ". When the contacts are on breaking position, the indication is credibility, at the same time the contacts can be locked, making the switch not to be closed.



- 操作机构和手动、电动传动机构

机构位于开关正面。操动机构采用五连杆的自由脱扣机构，并设计成储能形式。在使用过程中，机构总是处于预储能位置，只要一接到合闸命令，开关就能立即瞬时闭合。预储能的释放可用手动合闸按钮或合闸电磁铁来完成。电动传动机构自成一体，储能轴与主轴之间通过凹凸形楔口活动联结，装拆方便。

- 抽屉座

- 抽屉座由带有导轨的左右侧板、底座和横梁等组成，底座上设有推进机构，并装有位置指示，抽屉座的上方装有辅助电路静隔离触头。桥式主回路触头前方设置安全隔板。

- 隔离开关本体在抽屉座内的运动具有三个“位置”：

- Operating device and manual 、 motor-driven transmitting device

The device is sitted on the front of the switch. The free-release device, with five connecting rods, is used in the operating device, and it is designed energy-storage form. The device is always on energy-storage position, the switch would be closed instantaneously as soon as the switch is ordered to be closed. To release the pre-stored energy, it may be by means of pushing the release energy button manually or using the closing electromagnet. The motor-driven transmitting device has the system of its own, linking the energy-storage shaft and main shaft movably with tenon and mortise, easily to assemble or disassemble.

- Draw-out socket

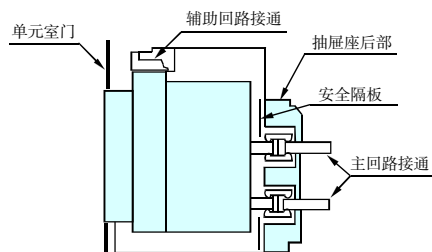
- The draw-out socket is made up of the rightside and leftside plates (with guided way),base and cross member. There are pushing device and position indicator on the base. There are static seperated contacts for auxiliary circuit on the top of the base. The safety seperator is set on the front of the bridge main contacts.

- It has three “ position ” for the main body of switch-disconnector moving in the draw-out socket;

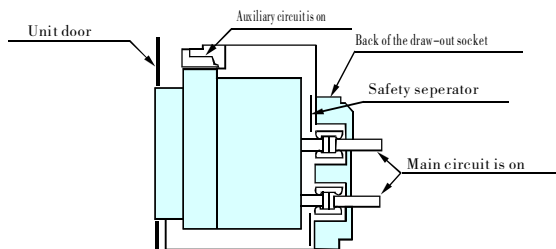


结构简介 SYNOPSIS OF STRUCTURE

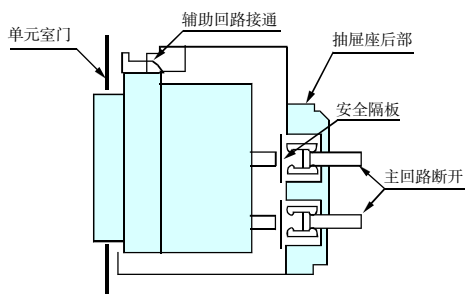
- “连接”位置：主回路和辅助回路均接通，此时隔离板开启；



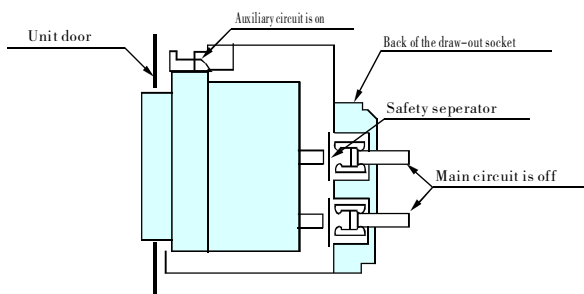
- "LINK" position: there are all "ON" for main circuit and auxiliary circuit. The separator is open;



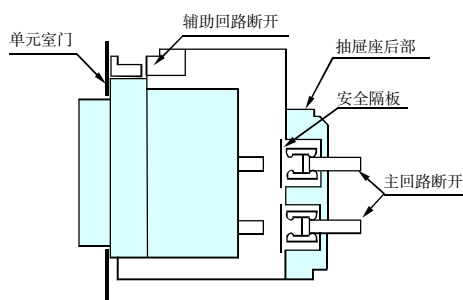
- “试验”位置：主回路断开，安全隔板关闭，仅辅助回路接通，可进行必要的动作试验；



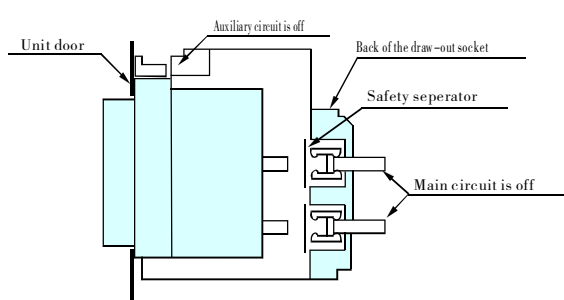
- "TEST" position: The main circuit is "OFF", safety separator is closed. Only auxiliary circuit is "ON", the necessary action test could be done;



- “分离”位置：主回路与辅助回路全部断开，安全隔板关闭。



- "SEPERATED" position: The main circuit and auxiliary circuit are all "OFF", safety separator is closed.





主要技术指标 MAIN TECHNICAL PARAMETERS

型号 Type		CW1G-2000											
约定发热电流I _{th} (A) Conventional thermal current I _{th} (A)		2000											
额定工作电流I _e (A) Rated operational current I _e (A)		630	800	1000	1250	1600							
额定工作电压U _e (V) Rated operational voltage U _e (V)													
额定绝缘电压U _i (V) Rated insulation voltage U _i (V)													
额定冲击耐受电压 U _{imp} (V) Rated impulse withstand voltage U _{imp} (V)													
极数 Poles		3、4	3、4	3、4	3、4	3、4							
N极额定工作电流I _N Rated operational current of N-pole I _N (A)													
额定短路接通能力I _{cm} (kA)(峰值) Rated short-circuit making capacity I _{cm} (kA) (peak)	AC400V	84	84	84	84	84							
	AC690V	84	84	84	84	84							
额定短时耐受电流(1s)I _{cw} (kA)(有效值) Rated short-time withstand current I _{cw} (kA) (effective value)	AC400V	40	40	40	40	40							
	AC690V	40	40	40	40	40							
具有外部保护继电器, 最大延时0.4s极限分断能力(kA)(AC400V) Limited breaking capacity at max. delay time 0.4s (with exterior protect relay) (kA) (AC400V)		50	50	50	50	50							
分闸时间(无附加延时)(ms) Break time (without additional time-delay) (ms)													
合闸时间(ms) Make time (ms)													
电气寿命*(次)times) Electrical durability	AC400V	6500	6500	6500	6500	6500							
	AC690V	3000	3000	3000	3000	3000							
机械寿命*(次)times) Mechanical durability	免维护 Non-maintenance	15000	15000	15000	15000	15000							
	有维护 Maintenance	30000	30000	30000	30000	30000							
安装 Installation 	联接方式 Connection pattern		水平 Horizontal	垂直 Vertical	水平 Horizontal	垂直 Vertical	水平 Horizontal	垂直 Vertical	水平 Horizontal	垂直 Vertical			
	型式 Pattern		抽屉式 Draw-out		○	○	○	○	○	○			
			固定式 Fixed		○	○	○	○	○	○			
	外形尺寸(mm) H × W × L Outline dimensions (mm)		H	W	L	H	W	L	H	W	L		
	抽屉式 Draw-out	水平联接 Horizontal	3P	后置 Back set	438	375	451	438	375	451	438	375	451
			4P	后置 Back set	438	470	451	438	470	451	438	470	451
		垂直联接 Vertical	3P	前置 Front set	494	375	425	494	375	425	494	375	425
				后置 Back set	438	375	446	438	375	446	438	375	446
			4P	前置 Front set	494	470	425	494	470	425	494	470	425
				后置 Back set	438	470	446	438	470	446	438	470	446
	固定式 Fixed	水平联接 Horizontal	3P	后置 Back set	395	362	351	395	362	351	395	362	351
			4P	后置 Back set	395	457	351	395	457	351	395	457	351
		垂直联接 Vertical	3P	前置 Front set	482	362	325	482	362	325	482	362	325
				后置 Back set	395	362	375	395	362	375	395	362	375
			4P	前置 Front set	482	457	325	482	457	325	482	457	325
后置 Back set				395	457	375	395	457	375	395	457	375	

*注: 根据GB14048.1-2006, 术语“寿命”表示电器在修理或更换部件前能完成的操作循环次数的概率。

*Note: for GB14048.1-2006, the term "durability" expresses the expectancy of the number of operating cycles which can be performed by the equipment before repair or replacement parts.

		CW1G-3200			CW1G-4000		CW1G-5000	
		3200			4000		5000	
2000	2000	2500	2900	3200	3600	4000	4000	5000
AC400, 690 50Hz								
AC1000								
12000								
3、4	3、4	3、4	3、4	3、4	3、4	3、4	3	3
100%Ie								
84	105	105	105	105	143	143	143	143
84	105	105	105	105	143	143	143	143
40	50	50	50	50	65	65	65	65
40	50	50	50	50	65	65	65	65
50	65	65	65	65	-	-	-	-
30 ~ 40								
最大70								
6500	3000	3000	3000	3000	1500	1500	500	500
3000	1500	1500	1500	1500	750	750	500	500
15000	10000	10000	10000	10000	10000(三)/5000(四)	10000(三)/5000(四)	4000	4000
30000	20000	20000	20000	20000	20000(三)10000(四)	20000(三)10000(四)	8000	8000
水平 Horizontal	垂直 Vertical	水平 Horizontal	水平 Horizontal	水平 Horizontal	水平 Horizontal	水平 Horizontal	水平 Horizontal	水平 Horizontal
○	○	○	○	○	○	○	○	○
○	○	○	○	○	○	○	○	○
I W L	H W L	H W L	H W L	H W L	H W L	H W L	H W L	H W L
38 375 451	438 429 492	438 429 492	438 429 492	438 429 492	438 544 492	438 544 492	438 799 492	438 799 492
38 470 451	438 544 492	438 544 492	438 544 492	438 544 492	438 799 492	438 799 492		
94 375 425								
38 375 446								
94 470 425								
38 470 446								
95 362 351	395 414 371	395 414 371	395 414 371	395 414 371	395 527 424	395 527 424	395 782 424	395 782 424
95 457 351	395 527 371	395 527 371	395 527 371	395 527 371	395 782 424	395 782 424		
82 362 325								
95 362 375								
82 457 325								
95 457 375								



隔离开关功耗及降容系数 *POWER CONSUMPTION AND CAPACITY LOWER COEFFICIENT*

- 功耗(环境温度+40℃)
Power consumption (ambient temperature + 40℃)

CW1G-2000三极/四级 3/4-poles	307.2W
CW1G-3200三极/四级 3/4-poles	550W
CW1G-4000三极/四级 3/4-poles	1060.8W
CW1G-5000三极 3-poles	848.8W

- 降容系数
- Capacity lower coefficient

隔离开关降容系数
Capacity lower coefficient of the switch-disconnector

环境温度 Ambient temperature		+40℃	+45℃	+50℃	+55℃	+60℃
允许持续工作电流 Permission continual operational current	2000A	1In	0.95In	0.9In	0.85In	0.8In
	3200A	1In	0.92In	0.86In	0.80In	0.74In
	4000A	1In	0.93In	0.87In	0.81In	0.75In
	5000A	1In	0.94In	0.88In	0.82In	0.76In



电气附件 *ELECTRIC ATTACHMENTS*

- 分励脱扣器
- Shunt release



- 可远距离操纵使隔离开关断开
- 特性
- It is available for operating remotely to break away.
- Features

额定控制电源电压Us(V) Rated control power voltage Us(V)	AC400	AC230	DC220
动作电压(V) Acting voltage (V)	(0.7 ~ 1.1)Us		
瞬时电流(A) Instantaneous current (A)	0.7	1.3	1.3
分断时间 Switching time	不大于30ms ≧30ms		



- 合闸电磁铁
- Closing electromagnet



- 储能结束后，合闸电磁铁能使操作机构的储能弹簧力瞬间释放，使隔离开关快速闭合。
- After the motor ended its energy stored, the closing electromagnet would make the charging spring to release its energy instantaneously, then to close the switch-disconnector quickly.

● 特性 Features

额定控制电源电压 U_s (V) Rated control power voltage U_s (V)	AC400	AC230	DC220
动作电压(V) Acting voltage (V)	(0.85 ~ 1.1) U_s		
瞬时电流(A) Instantaneous current (A)	0.7	1.3	1.3
合闸时间 Switching time	不大于70ms ≥ 70 ms		

- 电动操作机构
- Motor-driven energy-storage system



- 具有电动机储能及自动再储能功能;
- 也可手动储能。
- The motor-driven energy-storage system has the functions of motor-driven to store energy and to restore energy automatically.
- The energy-storage of the device could be also done with manual.

● 特性 Features

额定控制电源电压 U_s (V) Rated control power voltage U_s (V)	AC400	AC230	DC220
动作电压(V) Acting voltage (V)	(0.85 ~ 1.1) U_s		
功耗 Power wastage	192VA		192W
储能时间 Energy-storage time	不大于5s ≥ 5 s		

- 辅助开关
- Auxiliary switch



- 额定值
- Rated value

	额定电压 (V) Rated voltage (V)	约定发热电流 (A) Conventional thermal current I_{th} (A)	额定控制容量 Rated control capacity
AC	230	6	300VA
	400		
DC	220		60W

注：辅助开关型式为4组转换触头，3常开3常闭。
Note: the types of auxiliary switch are four pairs of change-over contacts and 3 NO(normal open) 3 NC(normal close).



- “分闸” 锁定装置
- “BREAKOFF” locked device



- “分闸” 锁定装置可将隔离开关（抽屉式或固定式）的断开按钮锁定在按下位置上，此时，开关不能进行闭合操作。
- The “BREAKOFF” locked device could lock the “OFF” button of the switch-disconnector (draw-out or fixed type) on the pressed position, making the switch not to be closed.

- 抽屉式隔离开关“分离”位置锁定挂锁器
- “DISCONNECT” position locked with padlock for draw-out switch-disconnector

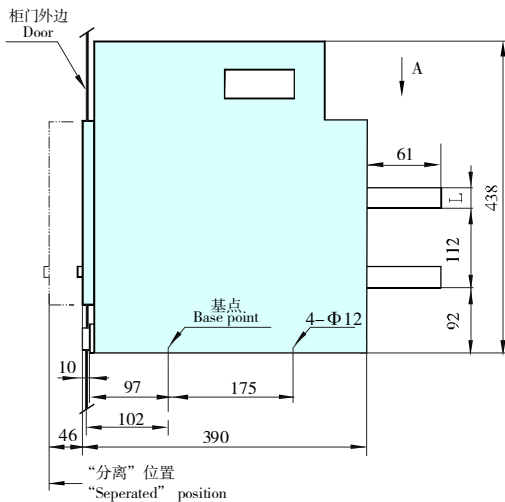
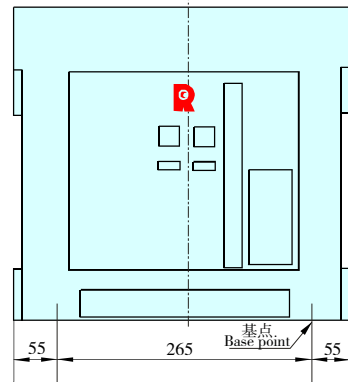
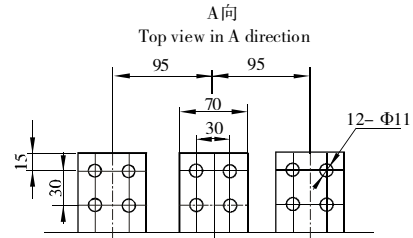


- 抽屉式隔离开关处于“分离”位置时，可拔出锁杆用挂锁来锁定，锁定后开关本体无法摇至“试验”或“连接”位置；
- 挂锁用户自备。
- When the draw-out switch-disconnector is on “DISCONNECT” position, the lock rod of the switch-disconnector could be pulled out and locked with a pad lock, after locking action the main body of the switch-disconnector wouldn't be driven into “TEST” or “CONNECT” position.
- The padlock would be prepared by users.

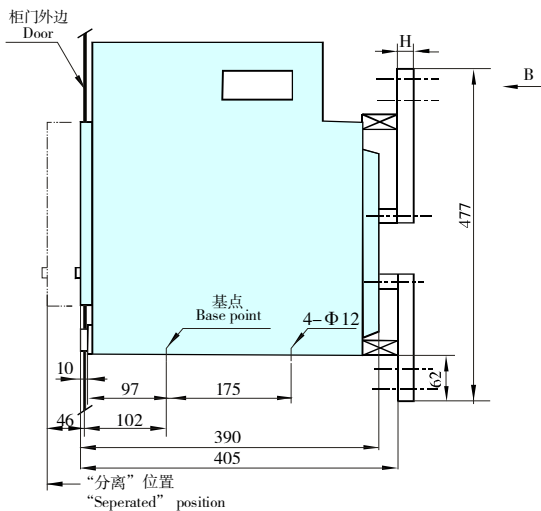


外形尺寸及安装尺寸 *OUTLINE DIMENSIONS AND MOUNTING DIMENSIONS*

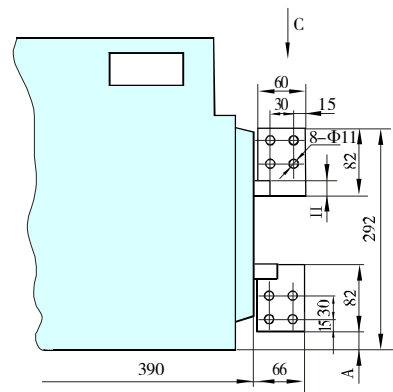
电流规格 Current spec	L(mm)	H(mm)	A(mm)
2000A	20	20	30
800 ~ 1600A	15	15	25
630A	10	15	25



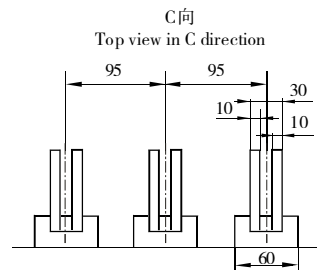
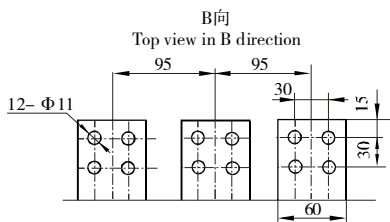
水平 (后置)
Horizontally (back set)



垂直 (前置)
Vertically (front set)



垂直 (后置)
Vertically (back set)

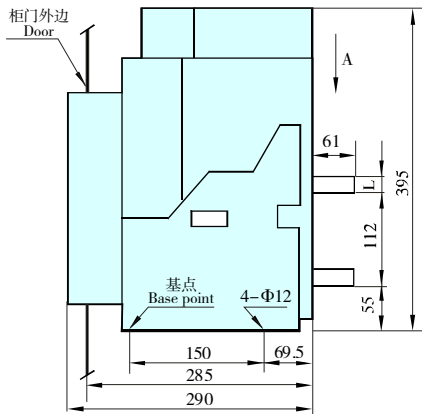
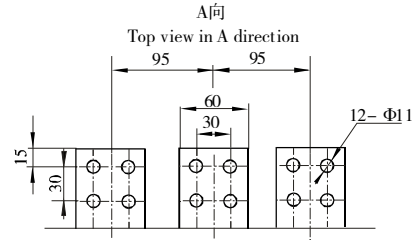


CW1G-2000三极隔离开关(抽屉式)
CW1G-2000 switch-disconnector, 3-poles (draw-out)

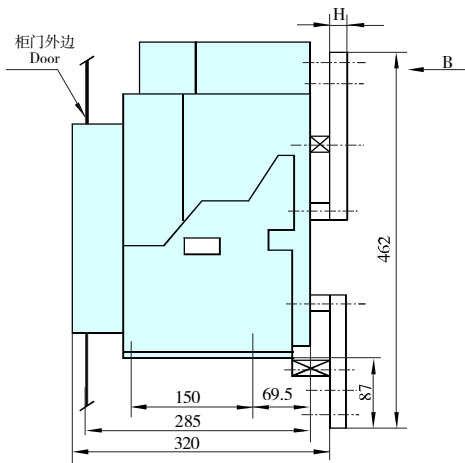
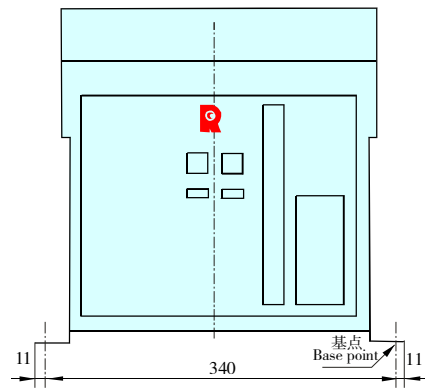


外形尺寸及安装尺寸 *OUTLINE DIMENSIONS AND MOUNTING DIMENSIONS*

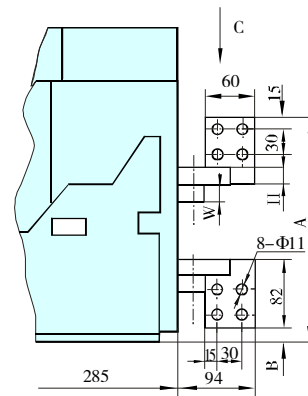
电流规格 Current spec	L(mm)	H(mm)	A(mm)	W(mm)	B(mm)
2000A	20	20	269	20	13
800 ~ 1600A	15	15	264	15	3
630A	10	15	264	15	3



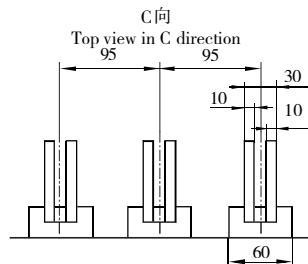
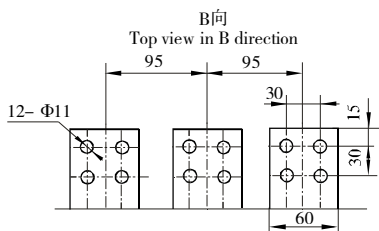
水平 (后置)
Horizontally (back set)



垂直 (前置)
Vertically (front set)



垂直 (后置)
Vertically (back set)

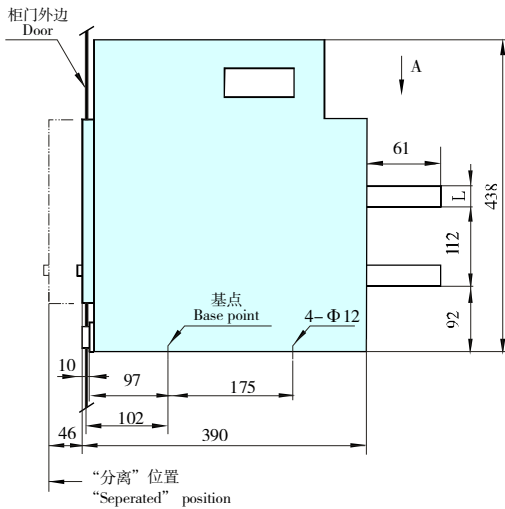
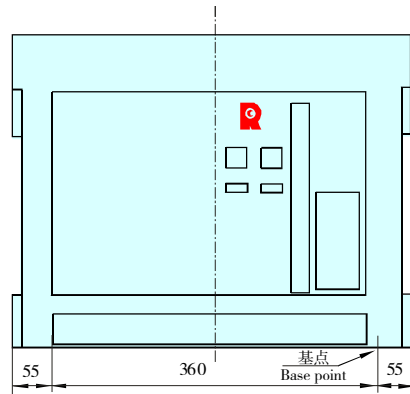
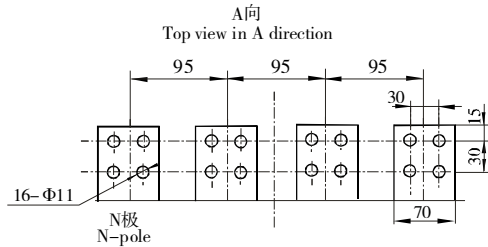


CW1G-2000三极隔离开关(固定式)
CW1G-2000 switch-disconnector, 3-poles (fixed)

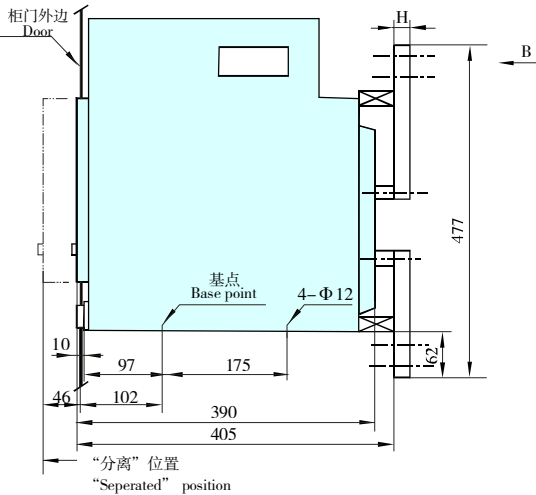


外形尺寸及安装尺寸 *OUTLINE DIMENSIONS AND MOUNTING DIMENSIONS*

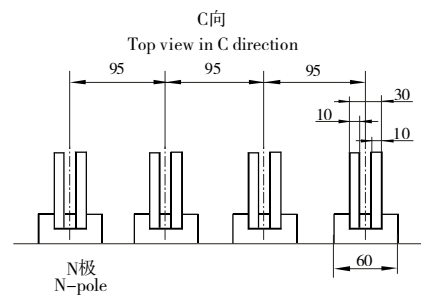
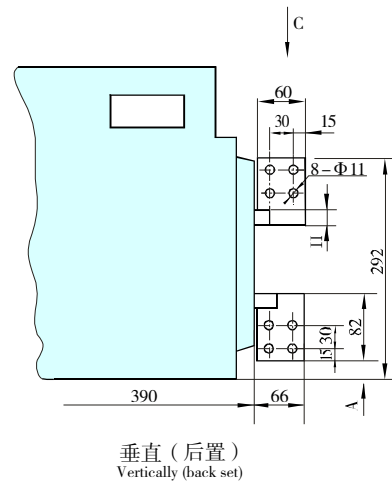
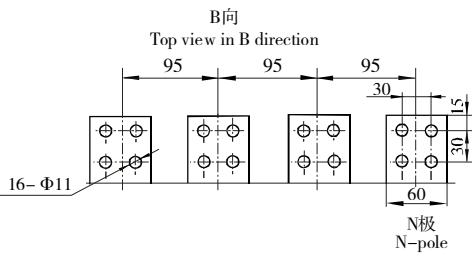
电流规格 Current spec	L(mm)	H(mm)	A(mm)
2000A	20	20	30
800 ~ 1600A	15	15	25
630A	10	15	25



水平 (后置)
Horizontally (back set)



垂直 (前置)
Vertically (front set)

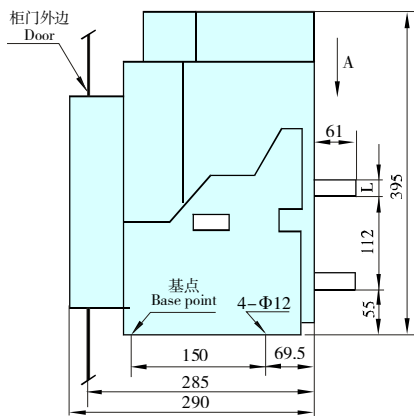
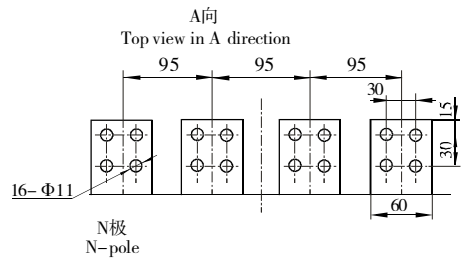


CW1G-2000四极隔离开关(抽屉式)
CW1G-2000 switch-disconnector, 4-poles (draw-out)

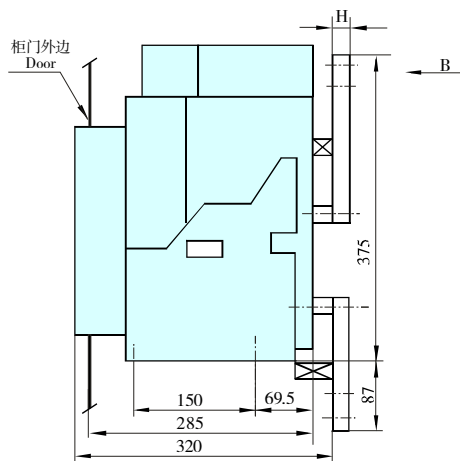
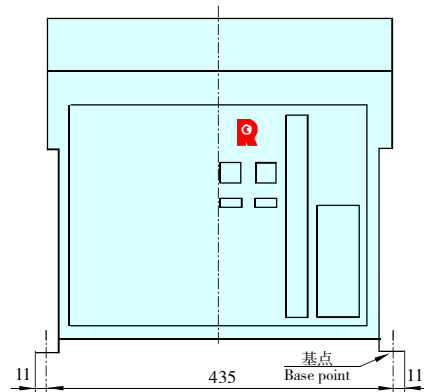


外形尺寸及安装尺寸 *OUTLINE DIMENSIONS AND MOUNTING DIMENSIONS*

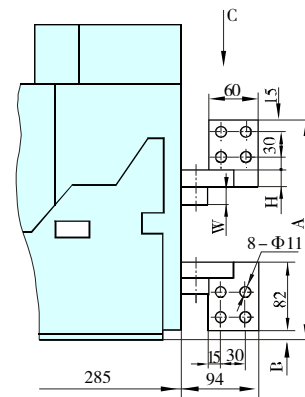
电流规格 Current spec	L(mm)	H(mm)	A(mm)	W(mm)	B(mm)
2000A	20	20	269	20	13
800 ~ 1600A	15	15	264	15	3
630A	10	15	264	15	3



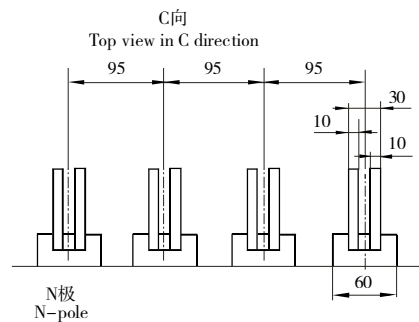
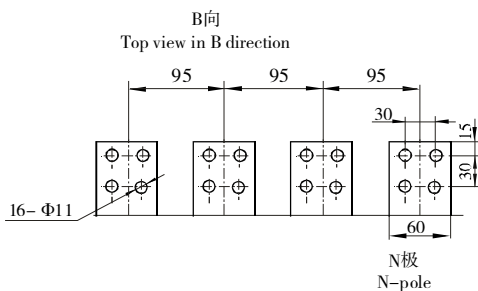
水平 (后置)
Horizontally (back set)



垂直 (前置)
Vertically (front set)



垂直 (后置)
Vertically (back set)

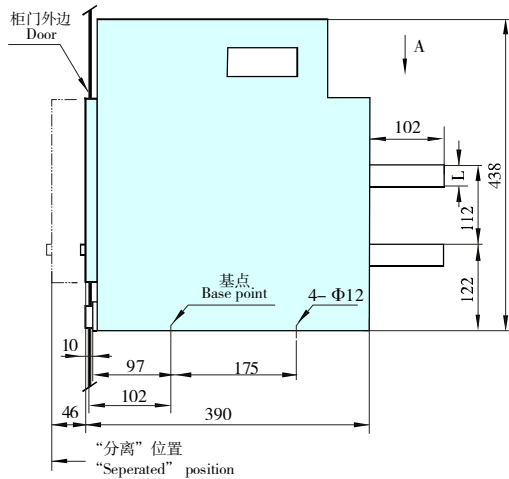


CW1G-2000四极隔离开关(固定式)
CW1G-2000 switch-disconnector, 4-poles (fixed)

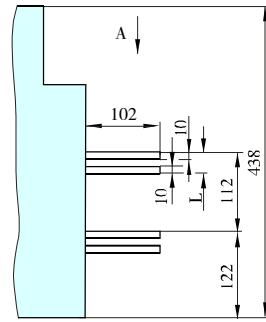


外形尺寸及安装尺寸 *OUTLINE DIMENSIONS AND MOUNTING DIMENSIONS*

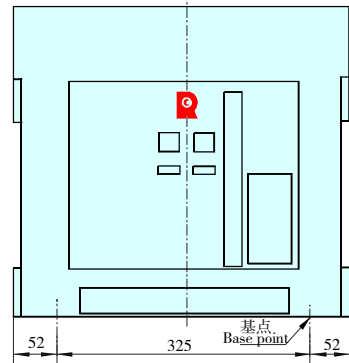
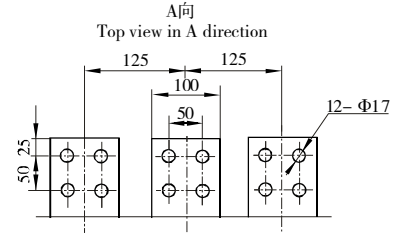
电流规格 Current spec	L(mm)
3200A(2900A)	30
2500A(2000A)	20



电流规格: 2500A(2000A)
Current:2500A(2000A)
水平(后置)
Horizontally (back set)

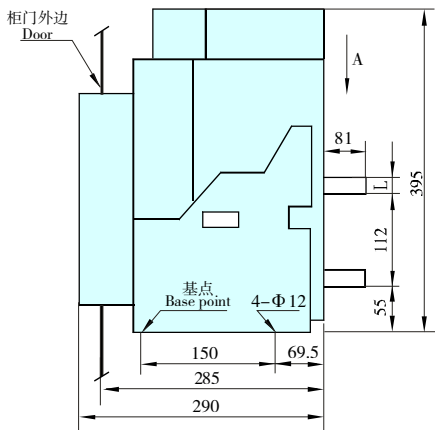


电流规格: 3200A(2900A)
Current:3200A(2900A)
水平(后置)
Horizontally (back set)

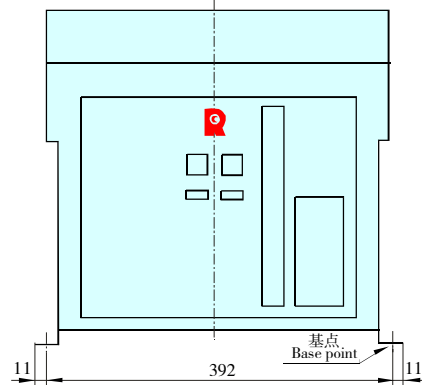
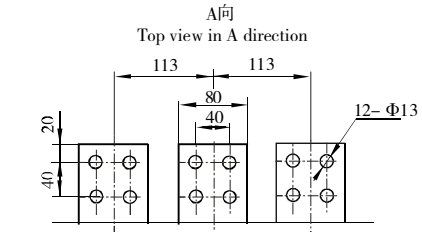


CW1G-3200三极隔离开关(抽屉式) CW1G-3200 switch-disconnector, 3-poles (draw-out)

电流规格 Current spec	L(mm)
3200A(2900A)	30
2500A(2000A)	20



水平(后置)
Horizontally (back set)

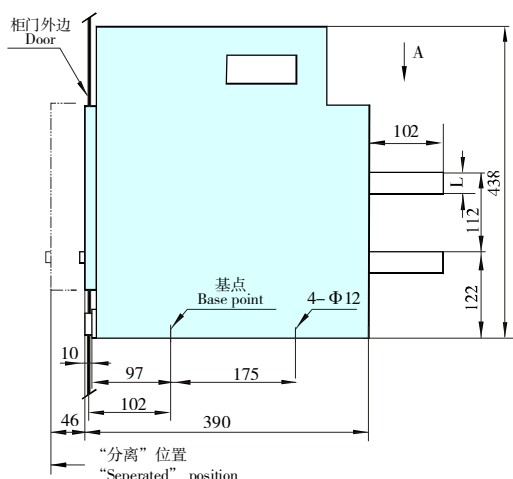


CW1G-3200三极隔离开关(固定式) CW1G-3200 switch-disconnector, 3-poles (fixed)



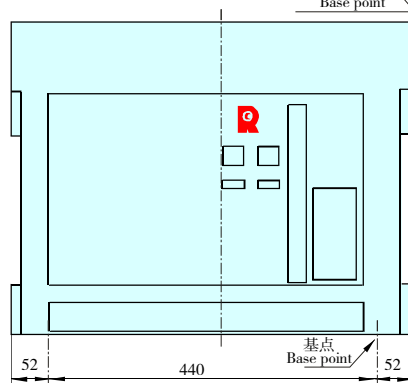
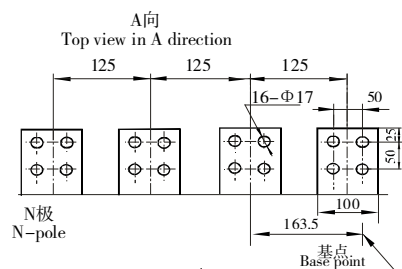
外形尺寸及安装尺寸 *OUTLINE DIMENSIONS AND MOUNTING DIMENSIONS*

电流规格 Current spec	L(mm)
3200A(2900A)	30
2500A(2000A)	20



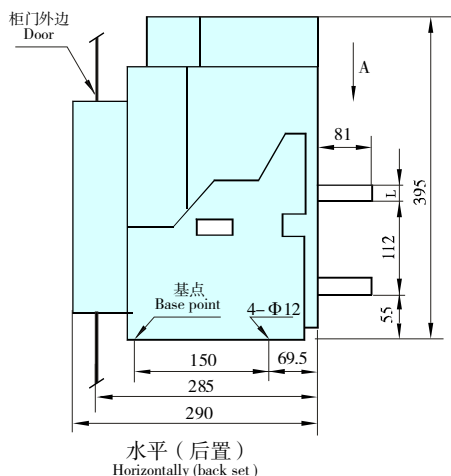
电流规格: 2500A(2000A)
Current:2500A(2000A)
水平(后置)
Horizontally (back set)

电流规格: 3200A(2900A)
Current:3200A(2900A)
水平(后置)
Horizontally (back set)

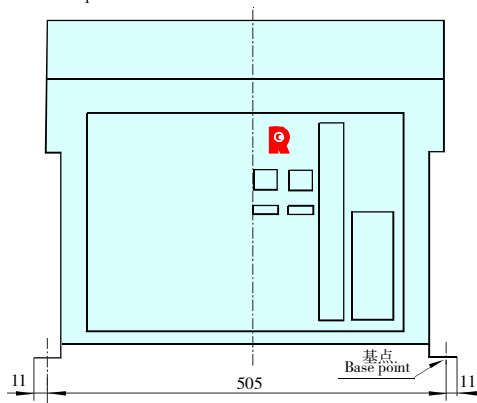
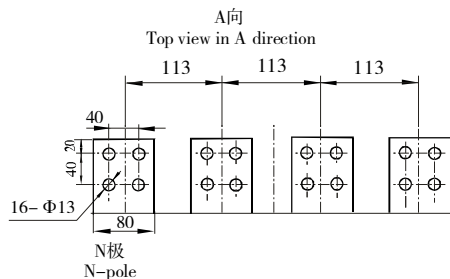


CW1G-3200四极隔离开关(抽屉式) CW1G-3200 switch-disconnector, 4-poles (draw-out)

电流规格 Current spec	L(mm)
3200A(2900A)	30
2500A(2000A)	20



水平(后置)
Horizontally (back set)

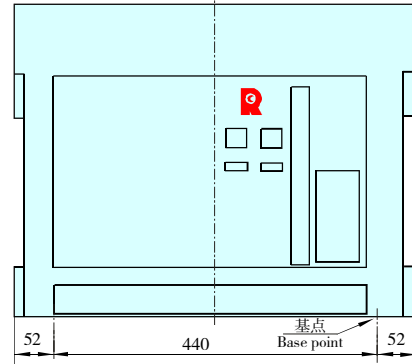
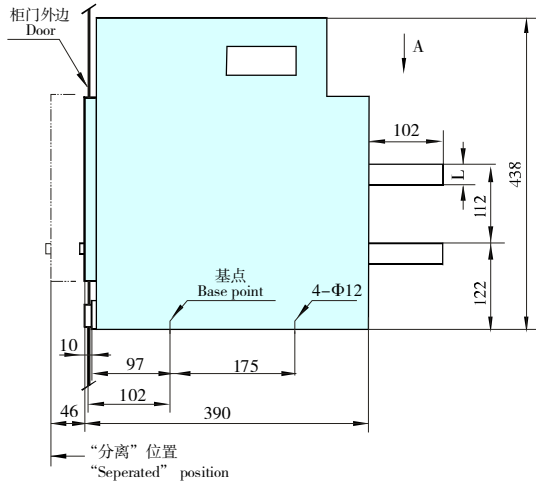
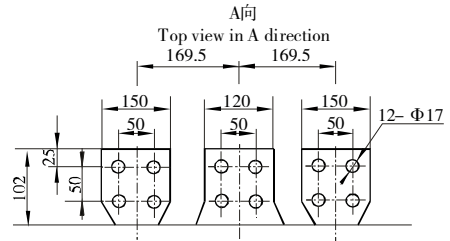


CW1G-3200四极隔离开关(固定式) CW1G-3200 switch-disconnector, 4-poles (fixed)



外形尺寸及安装尺寸 *OUTLINE DIMENSIONS AND MOUNTING DIMENSIONS*

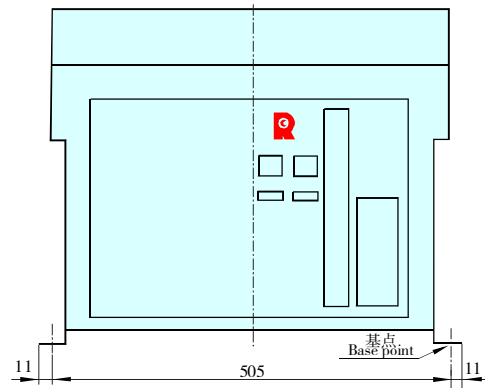
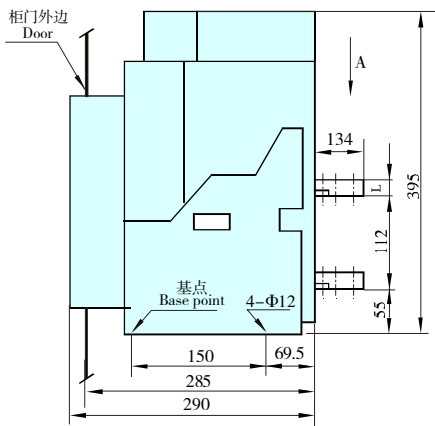
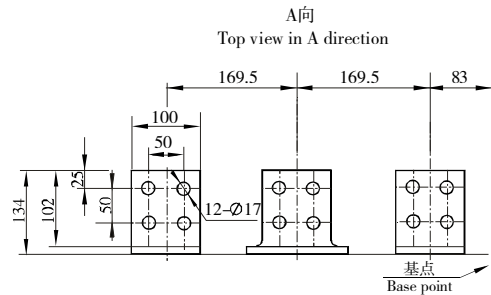
电流规格 Current spec	L(mm)
4000A	30
3600A	25



水平（后置）
Horizontally (back set)

CW1G-4000三极隔离开关(抽屉式)
CW1G-4000 switch-disconnector, 3-poles (draw-out)

电流规格 Current spec	L(mm)
4000A	30
3600A	30



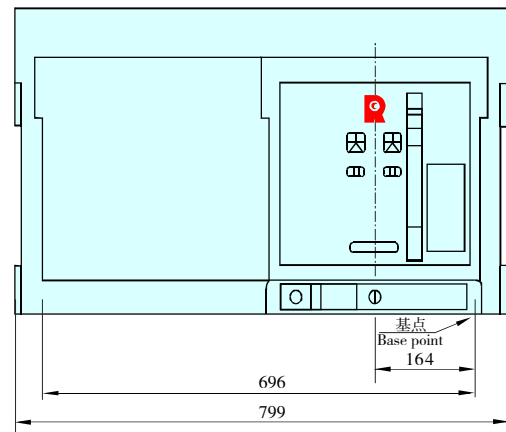
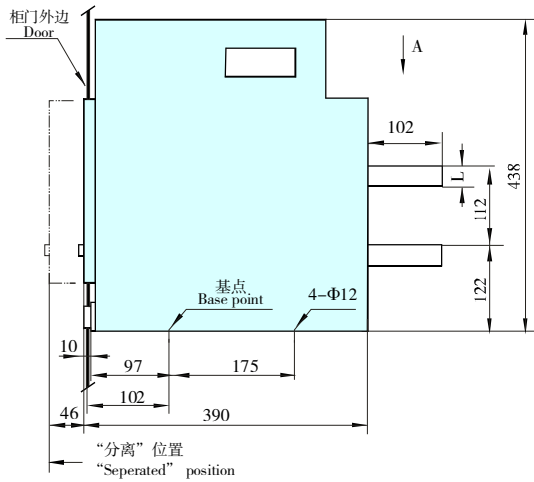
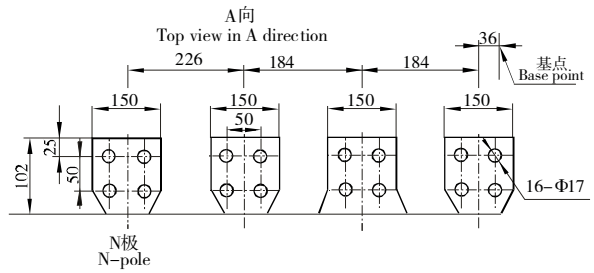
水平（后置）
Horizontally (back set)

CW1G-4000三极隔离开关(固定式)
CW1G-4000 switch-disconnector, 3-poles (fixed)



外形尺寸及安装尺寸 *OUTLINE DIMENSIONS AND MOUNTING DIMENSIONS*

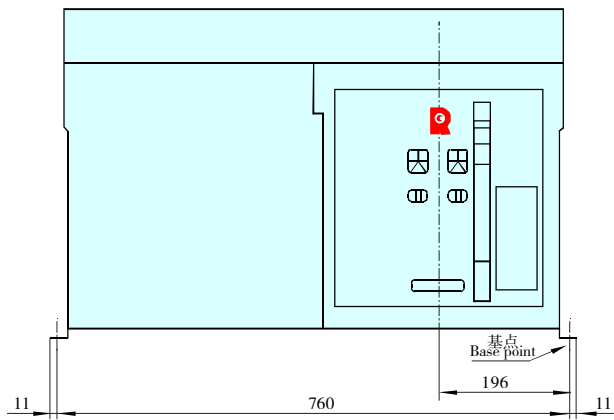
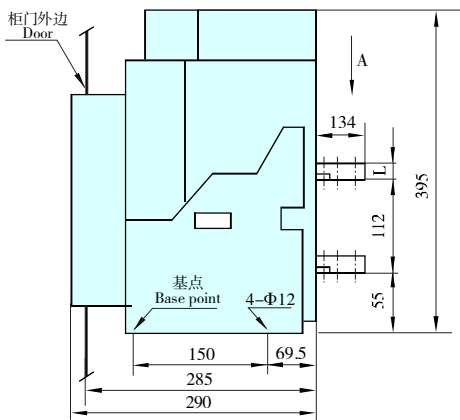
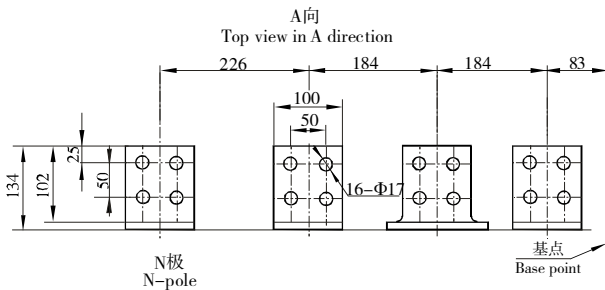
电流规格 Current spec	L(mm)
4000A	30
3600A	25



水平（后置）
Horizontally (back set)

CW1G-4000四极隔离开关(抽屉式)
CW1G-4000 switch-disconnector, 4-poles (draw-out)

电流规格 Current spec	L(mm)
4000A	30
3600A	30



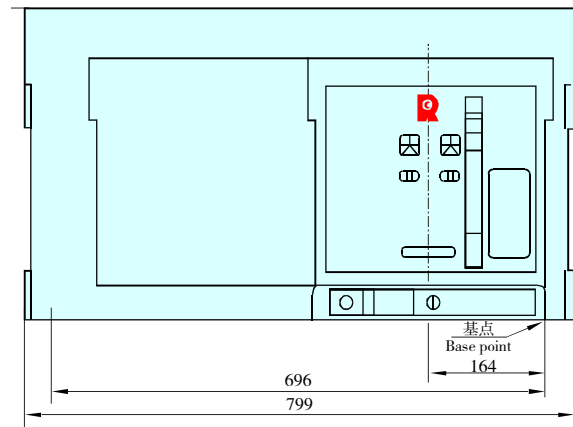
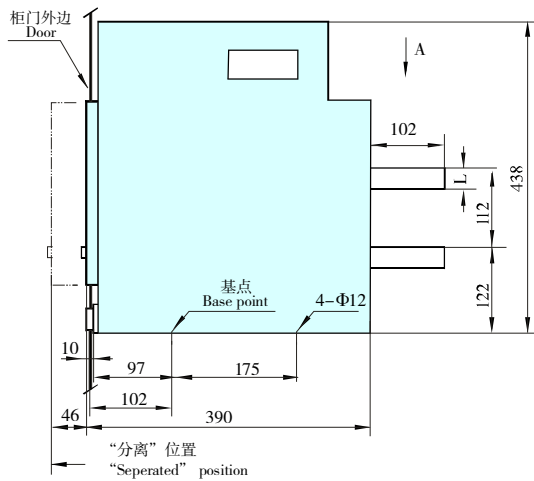
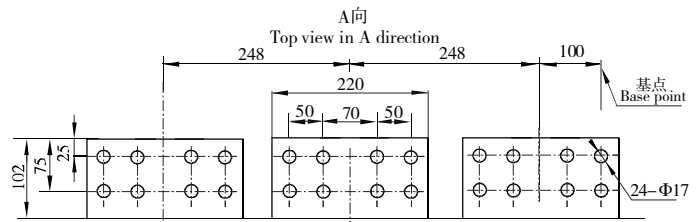
水平（后置）
Horizontally (back set)

CW1G-4000四极隔离开关(固定式)
CW1G-4000 switch-disconnector, 4-poles (fixed)



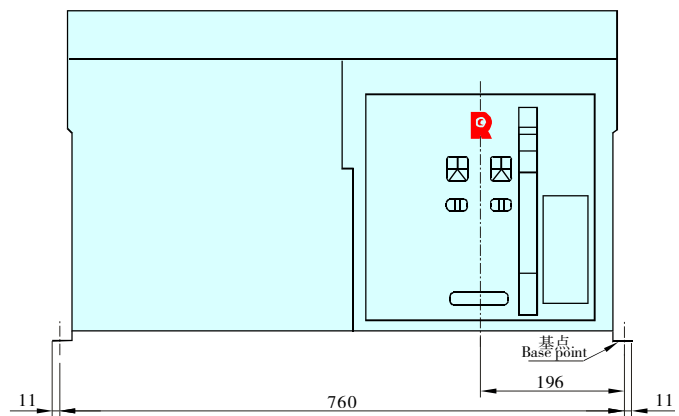
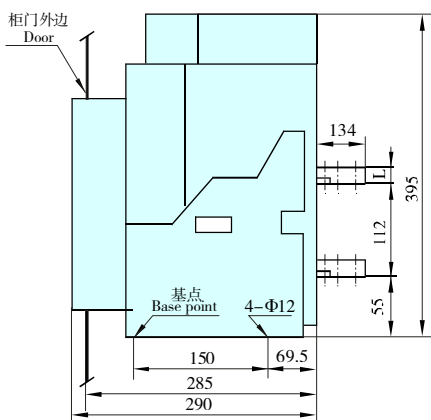
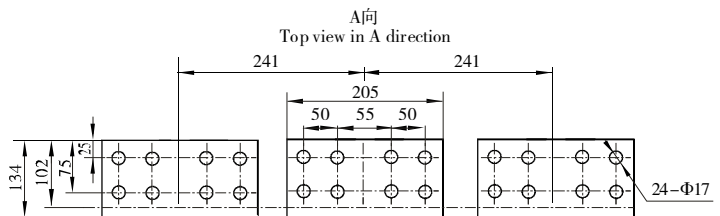
外形尺寸及安装尺寸 *OUTLINE DIMENSIONS AND MOUNTING DIMENSIONS*

电流规格 Current spec	L(mm)
5000A	30
4000A	20



CW1G-5000三极隔离开关(抽屉式)
CW1G-5000 switch-disconnector, 3-poles (draw-out)

电流规格 Current spec	L(mm)
5000A	30
4000A	30



水平 (后置)
Horizontally (back set)

CW1G-5000三极隔离开关(固定式)
CW1G-5000 switch-disconnector, 3-poles (fixed)

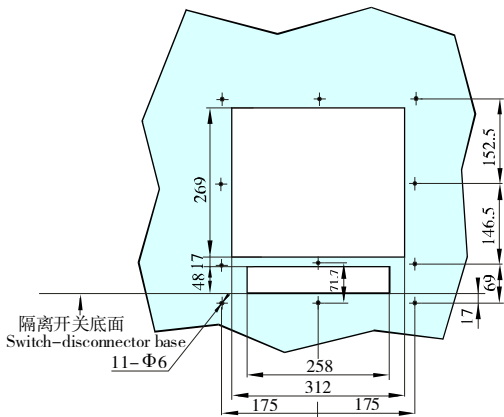


隔离开关门框开孔尺寸 *HOLING DIMENSION FOR MOUNTING DOOR FRAME*

CW1G-2000三极隔离开关(抽屉式)
CW1G-2000 switch-disconnector, 3-poles (draw-out)

安装门框前盖开孔图
Mounting door frame front
cover holing dimensions drawing

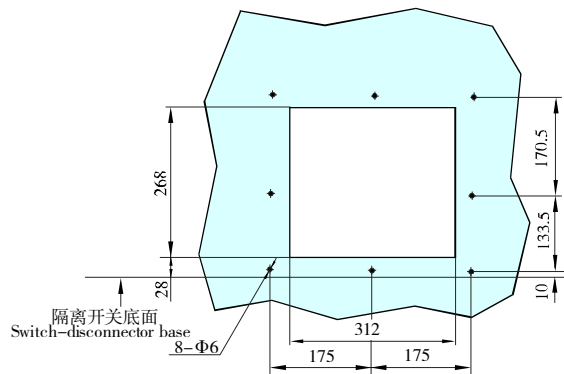
面板中心离柜门右铰链最小距离为256mm
Distance from the panel center of the switch-disconnector to the right hinge of switchboard door should be at least 256mm.



CW1G-2000三极隔离开关(固定式)
CW1G-2000 switch-disconnector, 3-poles (fixed)

安装门框前盖开孔图
Mounting door frame front
cover holing dimensions drawing

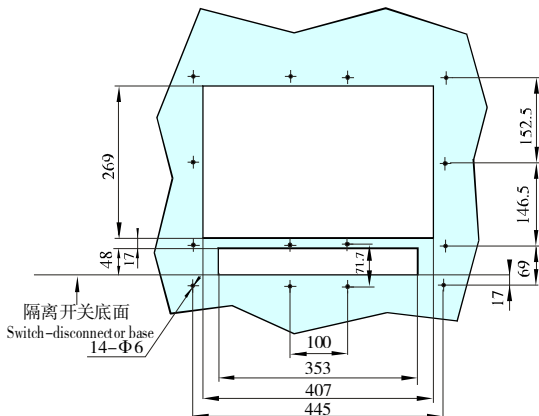
面板中心离柜门右铰链最小距离为256mm
Distance from the panel center of the switch-disconnector to the right hinge of switchboard door should be at least 256mm.



CW1G-2000四极隔离开关(抽屉式)
CW1G-2000 switch-disconnector, 4-poles (draw-out)

安装门框前盖开孔图
Mounting door frame front
cover holing dimensions drawing

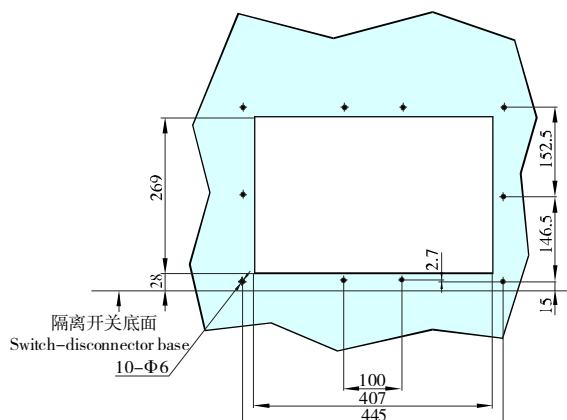
面板中心离柜门右铰链最小距离为303.5mm
Distance from the panel center of the switch-disconnector to the right hinge of switchboard door should be at least 303.5mm.



CW1G-2000四极隔离开关(固定式)
CW1G-2000 switch-disconnector, 4-poles (fixed)

安装门框前盖开孔图
Mounting door frame front
cover holing dimensions drawing

面板中心离柜门右铰链最小距离为303.5mm
Distance from the panel center of the switch-disconnector to the right hinge of switchboard door should be at least 303.5mm.



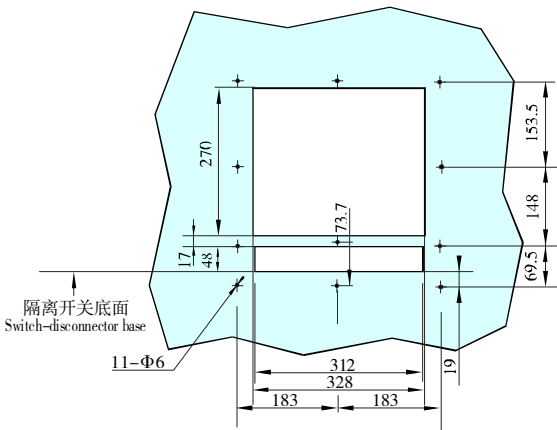


隔离开关门框开孔尺寸 *HOLING DIMENSION FOR MOUNTING DOOR FRAME*

CW1G-3200三极隔离开关(抽屉式)
CW1G-3200 switch-disconnector, 3-poles (draw-out)

安装门框前盖开孔图
Mounting door frame front
cover holing dimensions drawing

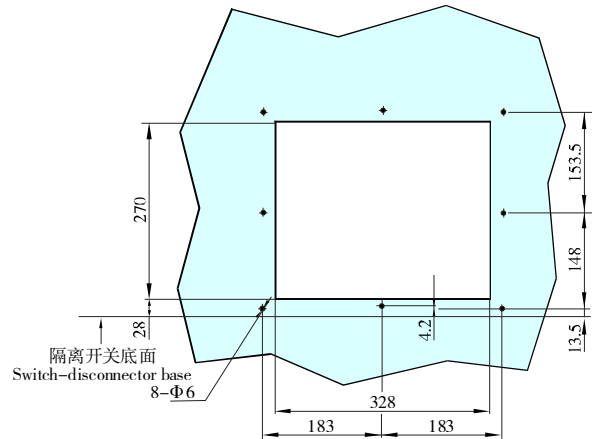
面板中心离柜门右铰链最小距离为264mm
Distance from the panel center of the switch-disconnector to the right hinge of switchboard door should be at least 264mm.



CW1G-3200三极隔离开关(固定式)
CW1G-3200 switch-disconnector, 3-poles (fixed)

安装门框前盖开孔图
Mounting door frame front
cover holing dimensions drawing

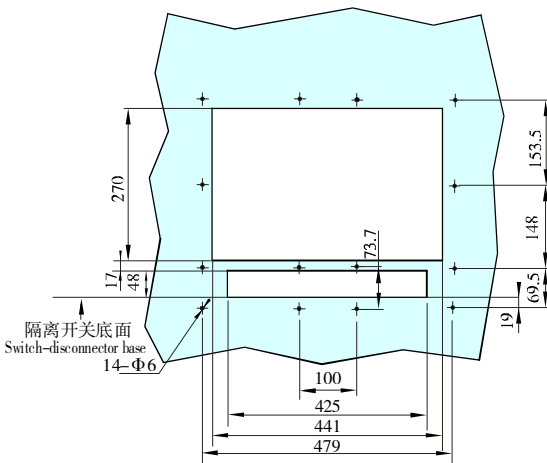
面板中心离柜门右铰链最小距离为264mm
Distance from the panel center of the switch-disconnector to the right hinge of switchboard door should be at least 264mm.



CW1G-3200四极隔离开关(抽屉式)
CW1G-3200 switch-disconnector, 4-poles (draw-out)

安装门框前盖开孔图
Mounting door frame front
cover holing dimensions drawing

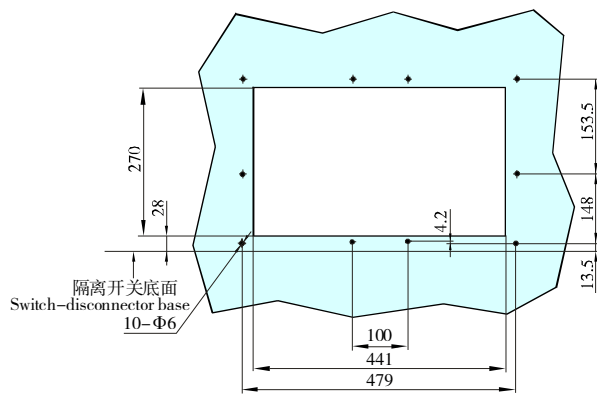
面板中心离柜门右铰链最小距离为320.5mm
Distance from the panel center of the switch-disconnector to the right hinge of switchboard door should be at least 320.5mm.



CW1G-3200四极隔离开关(固定式)
CW1G-3200 switch-disconnector, 4-poles (fixed)

安装门框前盖开孔图
Mounting door frame front
cover holing dimensions drawing

面板中心离柜门右铰链最小距离为320.5mm
Distance from the panel center of the switch-disconnector to the right hinge of switchboard door should be at least 320.5mm.



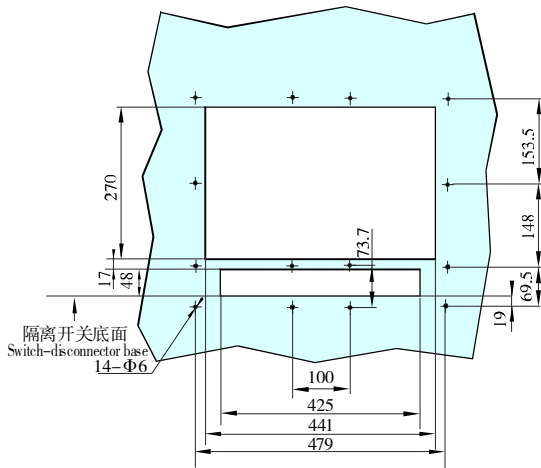


隔离开关门框开孔尺寸 *HOLING DIMENSION FOR MOUNTING DOOR FRAME*

CW1G-4000三极隔离开关(抽屉式)
CW1G-4000 switch-disconnector, 3-poles (draw-out)

安装门框前盖开孔图
Mounting door frame front
cover holing dimensions drawing

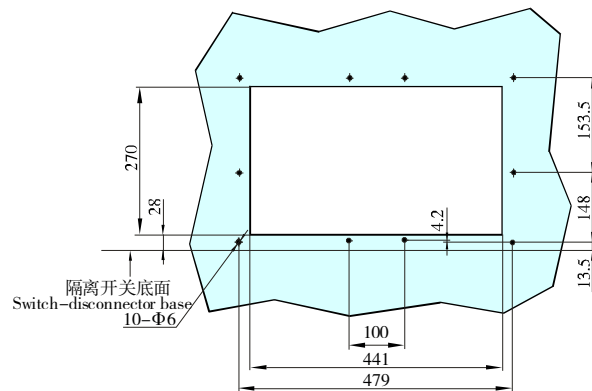
面板中心离柜门右铰链最小距离为320.5mm
Distance from the panel center of the switch-disconnector to the right hinge of switchboard door should be at least 320.5mm.



CW1G-4000三极隔离开关(固定式)
CW1G-4000 switch-disconnector, 3-poles (fixed)

安装门框前盖开孔图
Mounting door frame front
cover holing dimensions drawing

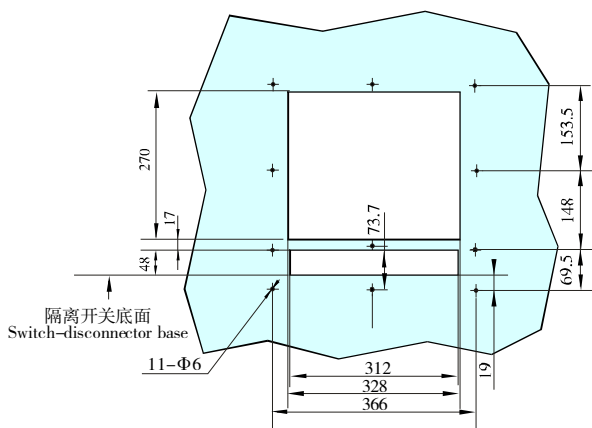
面板中心离柜门右铰链最小距离为320.5mm
Distance from the panel center of the switch-disconnector to the right hinge of switchboard door should be at least 320.5mm.



CW1G-4000四极隔离开关(抽屉式)
CW1G-4000 switch-disconnector, 4-poles (draw-out)

安装门框前盖开孔图
Mounting door frame front
cover holing dimensions drawing

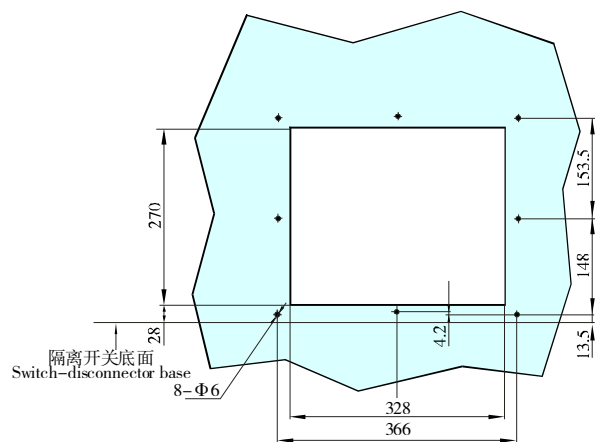
面板中心离柜门右铰链最小距离为264mm
Distance from the panel center of the switch-disconnector to the right hinge of switchboard door should be at least 264mm.



CW1G-4000四极隔离开关固定式)
CW1G-4000 switch-disconnector, 4-poles (fixed)

安装门框前盖开孔图
Mounting door frame front
cover holing dimensions drawing

面板中心离柜门右铰链最小距离为264mm
Distance from the panel center of the switch-disconnector to the right hinge of switchboard door should be at least 264mm.



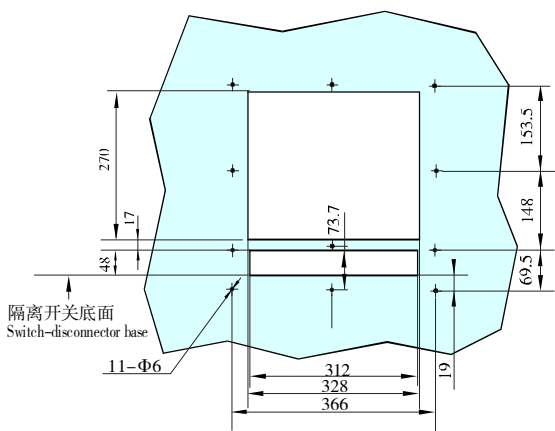


隔离开关门框开孔尺寸 *HOLING DIMENSION FOR MOUNTING DOOR FRAME*

CW1G-5000三极隔离开关(抽屉式)
CW1G-5000 switch-disconnector, 3-poles (draw-out)

安装门框前盖开孔图
Mounting door frame front
cover holing dimensions drawing

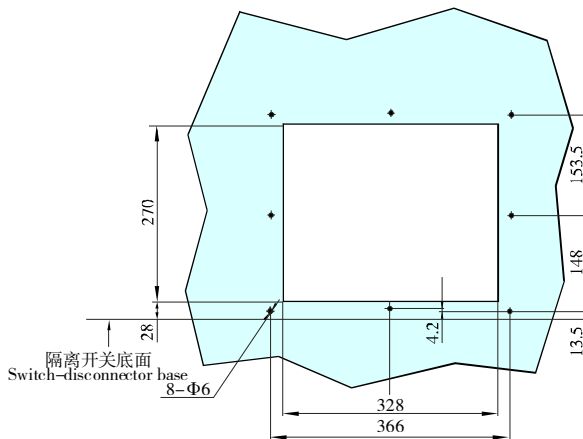
面板中心离柜门右铰链最小距离为264mm
Distance from the panel center of the switch-disconnector to the right hinge of switchboard door should be at least 264mm.



CW1G-5000三极隔离开关(固定式)
CW1G-5000 switch-disconnector, 3-poles (fixed)

安装门框前盖开孔图
Mounting door frame front
cover holing dimensions drawing

面板中心离柜门右铰链最小距离为264mm
Distance from the panel center of the switch-disconnector to the right hinge of switchboard door should be at least 264mm.



隔离开关安装使用 *INSTALLATION AND APPLICATION OF SWITCH-DISCONNECTOR*

安装前先检查隔离开关的规格是否符合订货要求。并以DC1000V兆欧表测量隔离开关绝缘电阻，在周围介质温度 $20^{\circ}\text{C} \pm 5^{\circ}\text{C}$ 和相对湿度 $50\% \sim 70\%$ 应不小于 $20\text{M}\Omega$ 。

安装完毕，并按相应接线图连接好二次线后，对抽屉式隔离开关应抽出两侧导轨，将开关本体可靠放入导轨中，推动隔离开关本体至分离位置，将手柄插入进出装置孔内，顺时针摇动手柄至试验位置，然后进行下列操作试验：

a. 检查分励脱扣器、合闸电磁铁及电动操作机构的外接辅助电源额定电压与所接电源电压是否相符，然后接通二次回路；

b. 隔离开关手动及电动储能试验：

对手动储能需上下扳动面板上手柄直至听到“咔嚓”声，面板上显示“储能”，即储能结束。对电动储能，亦听到“咔嚓”声，面板上显示“储能”，即储能结束。

此时按“1”按钮或使合闸电磁铁通电，均可使隔离开关可靠合闸，电动储能机构自动再储能。

c. 隔离开关合闸后，按“0”按钮或使分励脱扣器通电，均可使隔离开关分闸。

Check the specification of switch-disconnector IN or OUT accordance with the requirements of order before installation. Measure the insulating resistance with a 1000V DC megameter, the resistance should not be less than $20\text{M}\Omega$ when ambient temperature is $20^{\circ}\text{C} \pm 5^{\circ}\text{C}$ and relative humidity is $50\% \sim 70\%$.

After finished installation, and wiring the secondary circuit according with the corresponding wiring diagram, for draw-out switch-disconnector, pull out the rails in two sides, push the main body of the switch to separated position, insert the handle into the hole of device, shake it clockwise, make it to the test position and do following operation test.

a. Check shunt release, closing electromagnet and motor-driven energy-storage system, auxiliary power supply (external) is ON or OUT accordance with the voltage of power supply, then energize the secondary circuit.

b. The manual and motor-driven energy-storage tests of switch-disconnector.

For manual energy-storage, turn the handle on face until a click comes and indicator shows “energy-storage” that it tells the energy-storage process finished.

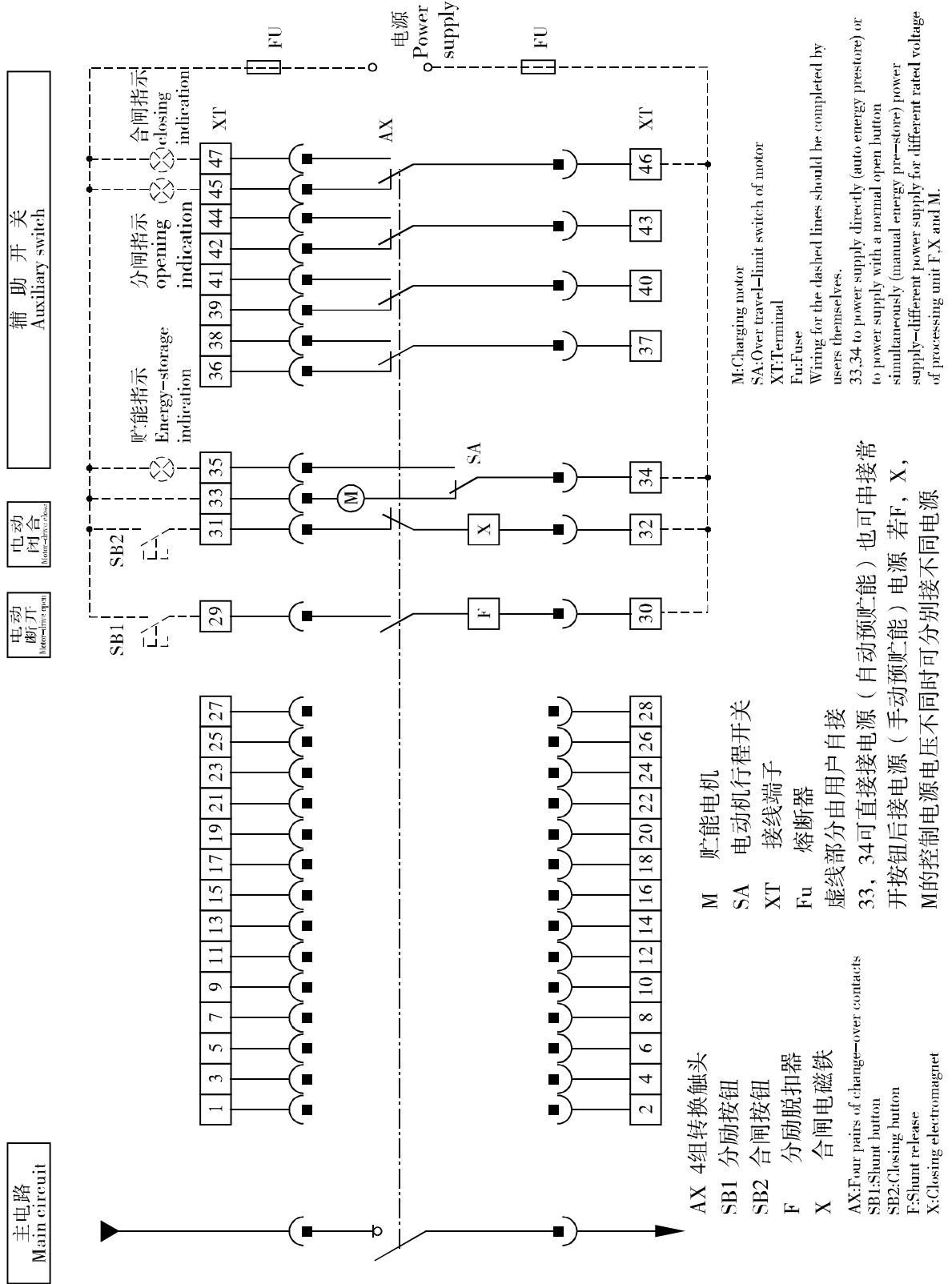
At this time, press the button “ ” or energize the closing electromagnet, the switch-disconnector could be closed reliably. For motor-driven system, it would be recharged automatically.

c. As the switch-disconnector closed, you could make the switch-disconnector released by using button “0” or making shunt release switched on.



隔离开关二次回路接线图 (辅助电源为交流电源)

Wiring Diagram of the secondary circuit of the switch-disconnector (auxiliary power supply is AC)

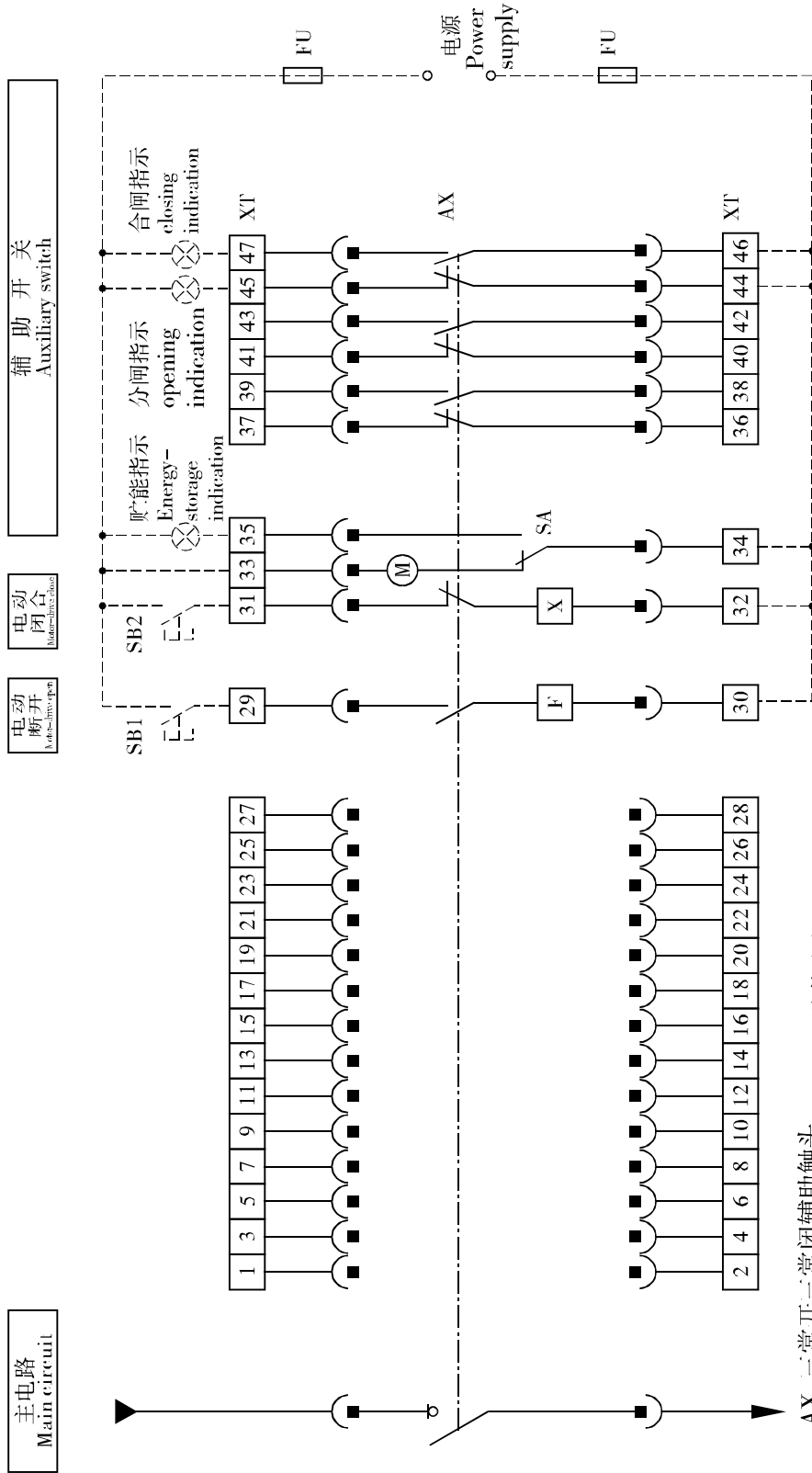




二次回路接线图 SECONDARY CIRCUIT WIRING DIAGRAM

隔离开关二次回路接线图（辅助电源为直流电源）

Wiring Diagram of the secondary circuit of the switch—disconnecter (auxiliary power supply is DC)



M: Charging motor
 SA: Over travel—limit switch of motor
 XT: Terminal
 Fu: Fuse
 Wiring for the dashed lines should be completed by users themselves.
 33, 34 to power supply directly (auto energy pre-store) or to power supply with a normal open button simultaneously (manual energy pre-store) power supply—different power supply for different rated voltage of processing unit F, X and M.

M 储能电机
 SA 电动机行程开关
 XT 接线端子
 Fu 熔断器
 虚线部分由用户自接
 33, 34可直接接电源（自动预储能）也可串接常开按钮后接电源（手动预储能）电源 若F, X, M的控制电源电压不同时可分别接不同电源

AX 三常开三常闭辅助触头
 SB1 分励按钮
 SB2 合闸按钮
 F 分励脱扣器
 X 合闸电磁铁
 AX: Auxiliary contact of 3NO3NC
 SB1: Shunt button
 SB2: Closing button
 F: Shunt release
 X: Closing electromagnet



订货规范 Order Form

(请在 内填上数字, 打√)
(Please filled figures in or sign √ in)

用户单位 Name		订货台数 Order amount		订货日期 Date	
型号 Type	CW1G- <input style="width: 50px;" type="text"/>				
极数 Pole quality	<input type="checkbox"/> 三极 Three-poles		<input type="checkbox"/> 四极 Four-poles		
额定工作电压 Rated operational voltage	<input type="checkbox"/> AC 400V		<input type="checkbox"/> AC 690V		
额定工作电流 Rated operational current	Ie= <input style="width: 50px;" type="text"/> A				
连接 Connection type	固定式 <input type="checkbox"/> 水平 (后置) <input type="checkbox"/> 垂直 (前置) <input type="checkbox"/> 垂直 (后置) Fixed Horizontal (back set) Vertical (front set) Vertical (back set)			注: 垂直 (前置)、垂直 (后置) 仅供 Ith=2000A 的隔离开关 Note: only for the switch-disconnector with Ith 2000A, connection types are vertical (front set) and vertical (back set)	
	抽屜式 <input type="checkbox"/> 水平 (后置) <input type="checkbox"/> 垂直 (前置) <input type="checkbox"/> 垂直 (后置) Draw-out Horizontal (back set) Vertical (front set) Vertical (back set)				
附件 Accessories	分励脱扣器 Shunt release	<input type="checkbox"/> AC230V		<input type="checkbox"/> AC400V	<input type="checkbox"/> DC220V
	合闸电磁铁 Closing electromagnet	<input type="checkbox"/> AC230V		<input type="checkbox"/> AC400V	<input type="checkbox"/> DC220V
	电动操作机构 Motor operator	<input type="checkbox"/> AC230V		<input type="checkbox"/> AC400V	<input type="checkbox"/> DC220V
	辅助开关 Auxiliary switch	<input type="checkbox"/> 4组转换触头 Four pairs of chang-over contacts		<input type="checkbox"/> 3常开3常闭 3NO3NC	
备注 Note	如用户订货的产品技术要求超出本规范表, 请与本公司协商解决 If users order the switch-disconnector with technical demands beyond range of this order form, please contact with us.				

常熟开关 持续超越

- 国家重点高新技术企业
- 全国企事业知识产权示范单位
- 全国守合同重信用企业
- 国家科学技术进步二等奖获得者

2010版

常熟开关制造有限公司(原常熟开关厂) CHANGSHU SWITCHGEAR MFG. CO., LTD. (FORMER CHANGSHU SWITCHGEAR PLANT)

公司地址: 江苏省常熟市建业路8号
网 址: <http://www.riyue.com.cn>
电子信箱: cskg0001@cs-kg.com
邮 编: 215500

ADDRESS: NO.8 JIANYE ROAD CHANGSHU, JIANGSU, P.R.CHINA
URL: [HTTP://WWW.RIYUE.COM.CN](http://WWW.RIYUE.COM.CN)
E-MAIL: cskg0001@cs-kg.com
POST CODE: 215500

办 公 室: 0512-52842237 52846851
元 件 销 售: 0512-52840577 52840993 52844994 52845227
52840995 52841441 52841442 52841616
成 套 销 售: 0512-52846862 52846863 52840073 52845582
技 术 热 线: 0512-52841486 8008282528
传 真: 0512-52841606 52841465 52841042

OFFICE : 0512-52842237 52846851
SALES DEP. FOR ELECTRIC COMPONENTS:
0512-52840577 52840993 52844994
52840995 52841441 52841442
52845227 52841616
SALES DEP. FOR COMPLETE SWITCHGEAR EQUIPMENT :
0512-52846862 52846863 52840073 52845582
TECHNICAL SUPPORT HOTLINE : 0512-52841486 8008282528
FAX : 0512-52841606 52841465 52841042

因产品技术需不断改进, 所有数据应以本公司技术部门最新确认为准。
本产品样本的版权和解释权属常熟开关制造有限公司(原常熟开关厂)。

All technical data of products should be subject to final confirmation of our technical department.
Publishing of this product catalogue and explanation of all details will be reserved by Changshu Switchgear
Mfg. Co., Ltd. (former Changshu Switchgear Plant).